

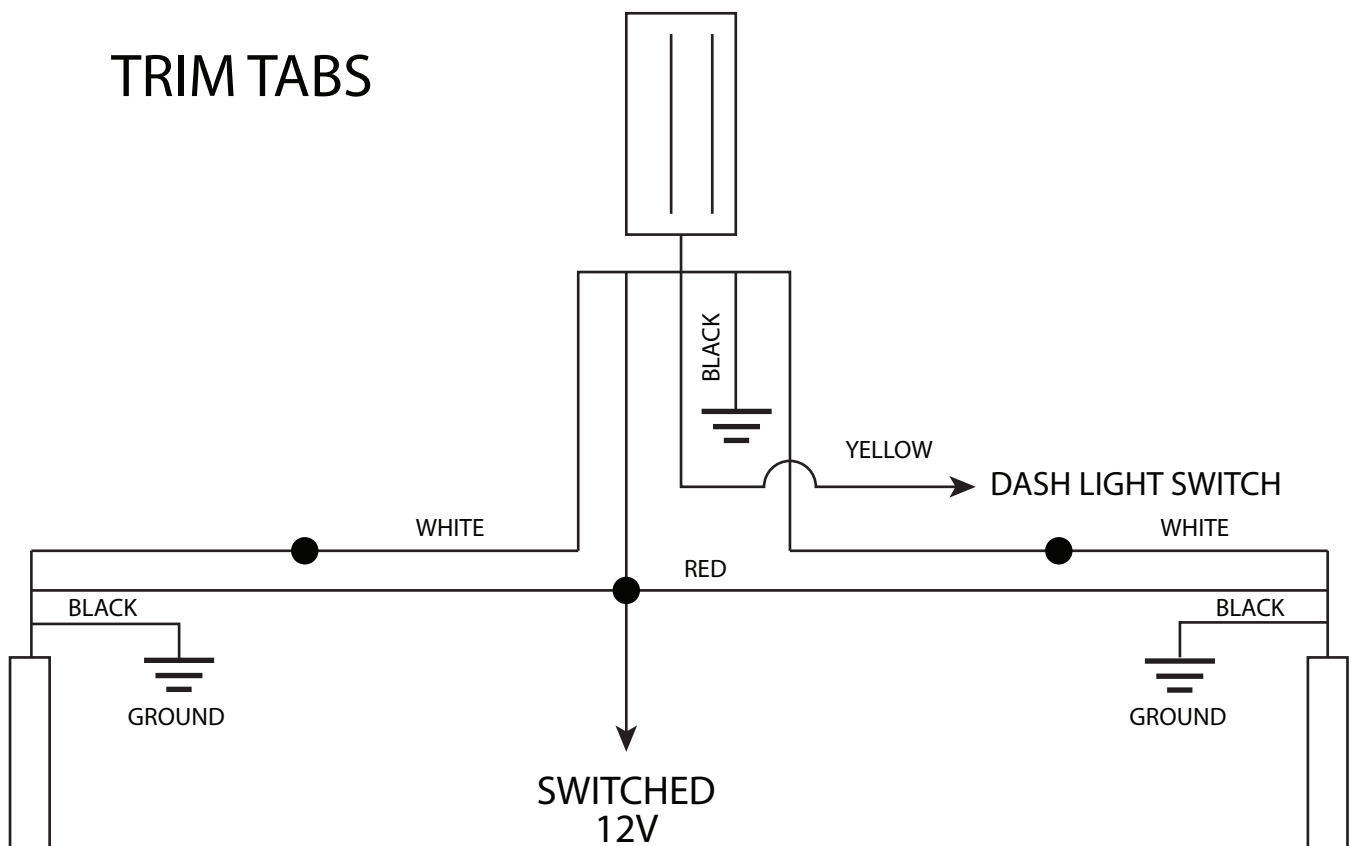
# LED SENSOR INFO BY



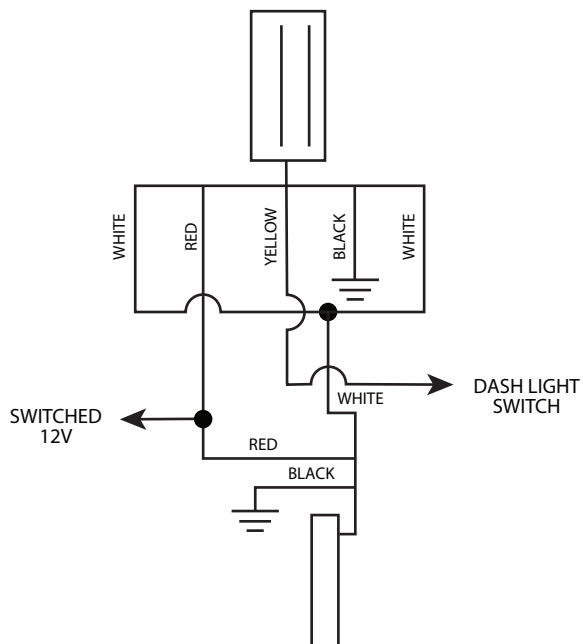
part numbers 137-8402, 8403 & 8404

The Dash Panel when activated with 12 volts, will cycle through all of the LED lights for 2 cycles. After the 2 cycles are complete, the LED light will be illuminated at the location of the trim of the tabs or the drives.

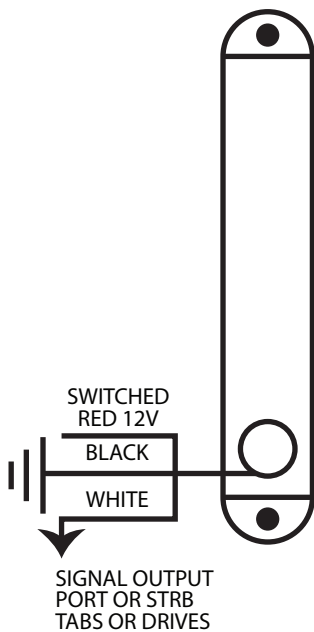
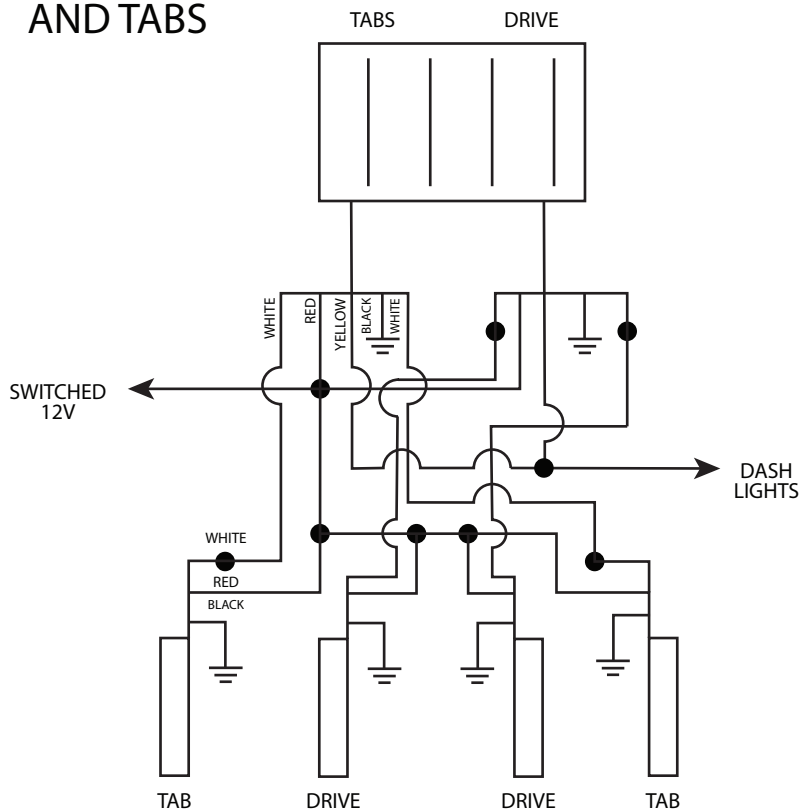
If the light flashes on either side of the dash panel and is not a solid color, this means that it does not have a signal from the sending unit. If the lights are solid, it has the signal, and will move up or down when the trim or the tabs location is changed.



## SINGLE BRAVO INSTALLATION

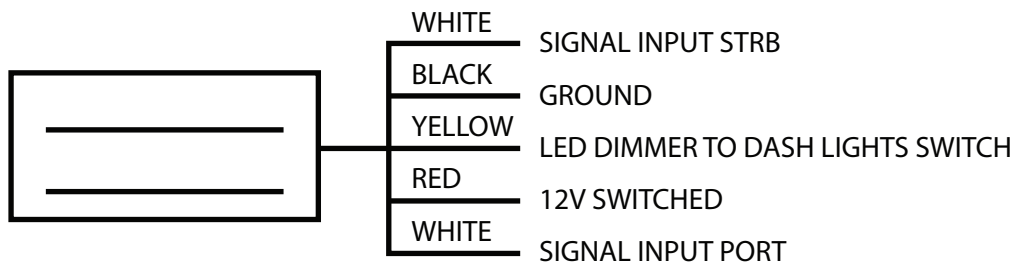


## DUAL DRIVES AND TABS

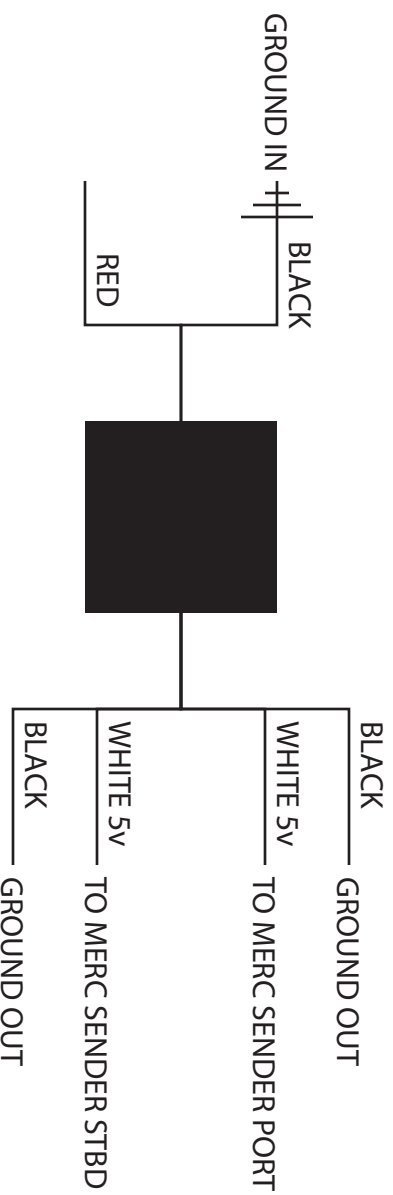


- \*Red Wires connect to switched 12 Volt 5 amp fuses
- \*Black Wires connect to Ground
- \*White Wires are signal out and signal in, and connect to each other
- \*Yellow Wires connect to dash light switches. The LED light on panel will dim when connected to 12 Volts.

\*NOTE: 18 GA Wire for harness



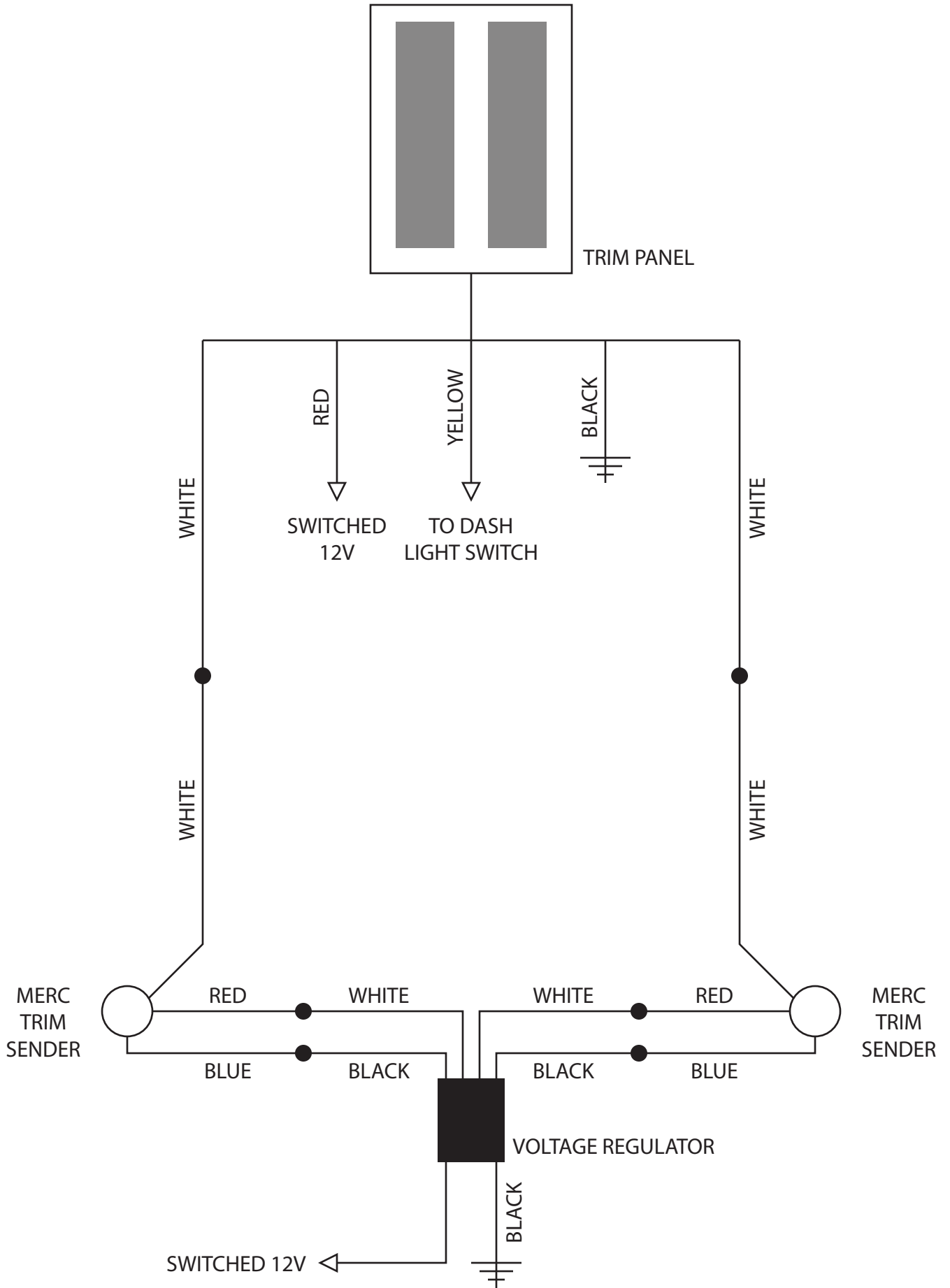
MERC TRIM TAB SENDER  
 PURPLE - 5v IN - WHITE WIRE  
 GREEN - SIGNAL OUT - TO LED PANEL WHITE WIRE  
 BLACK - GROUND, BLACK WIRE



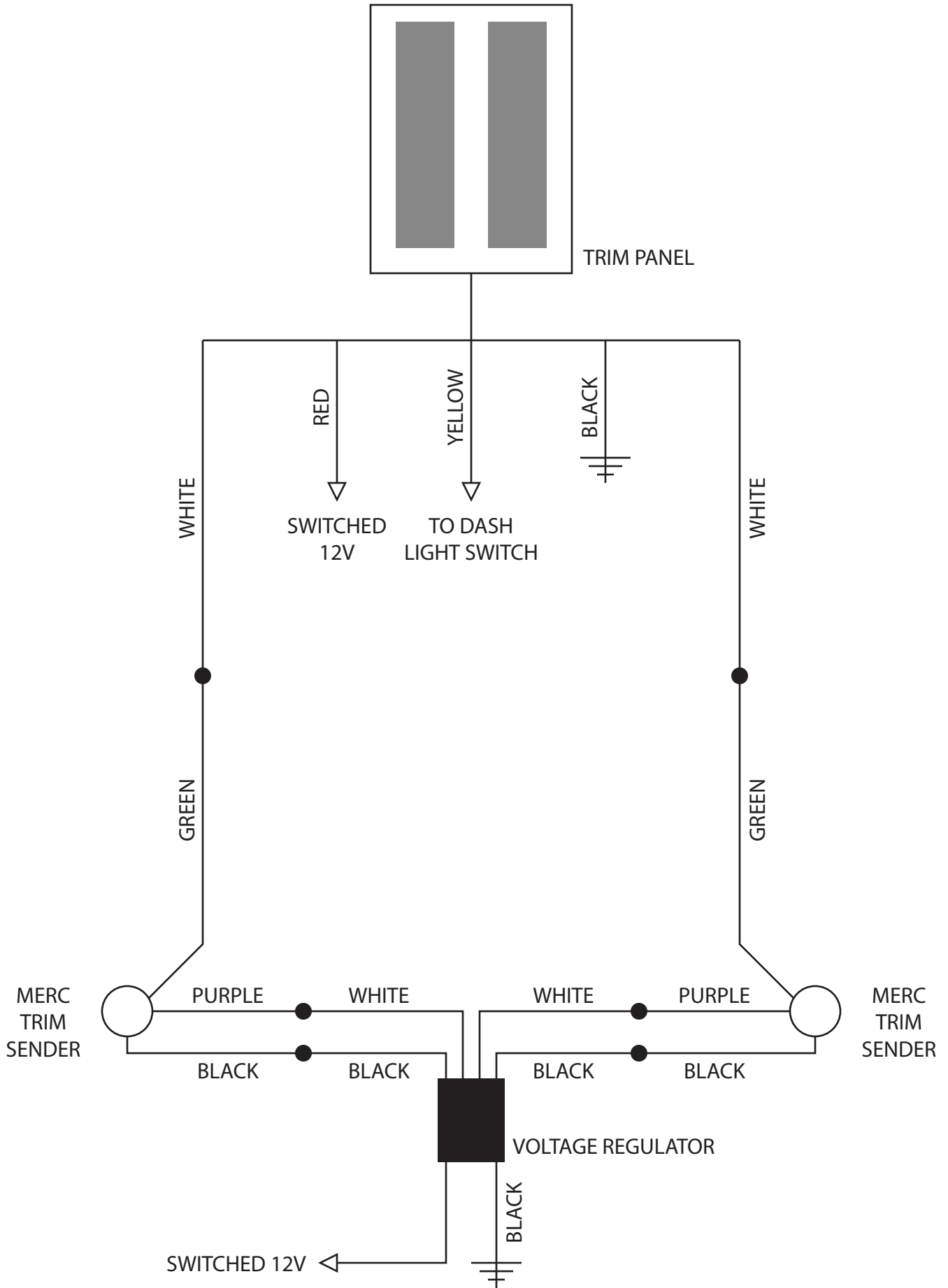
MERC DRIVE SENDER  
 RED - 5v IN - WHITE WIRE  
 WHITE - SIGNAL OUT - TO LED PANEL WHITE WIRE  
 BLUE - GROUND IN, BLACK WIRE

This is voltage regulator designed to take a single 12 volt input and turn it into two 5 volt outputs to operate 5 volt sensors. Such as the Mercury Smartcraft sensors on both the K-plane trim tabs and Bravo outdrives. The pair of red and black wires are for the input of 12 volts and ground with the red wire being for 12 volts and the black for ground input. The two sets of black and white wires are for 5 volts out to the sensor and for ground out to the sensor. It does not matter which set of black and white wires goes to port or starboard as long as they are connected to the sensor. If you are operating just one sensor then you can use either set of black/wires for the single sensor function.

# BRAVO SMARTCRAFT SENSORS



# K-PLANE TRIM TABS SMARTCRAFT

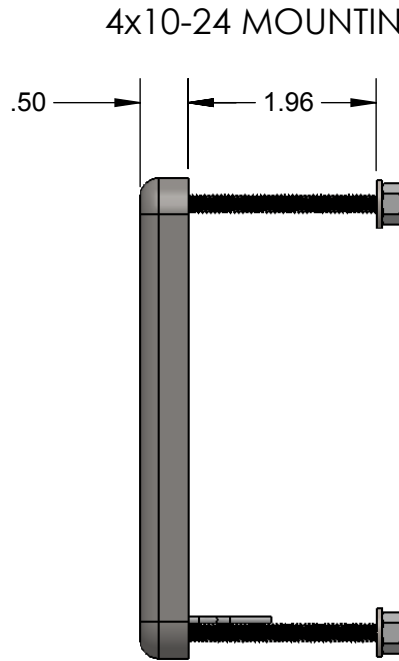
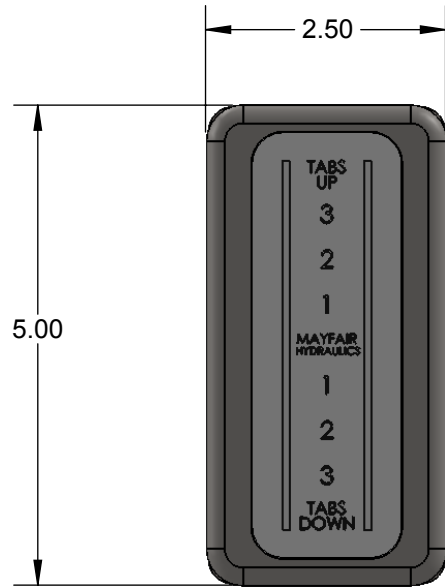


MAYFAIR HYDRAULICS

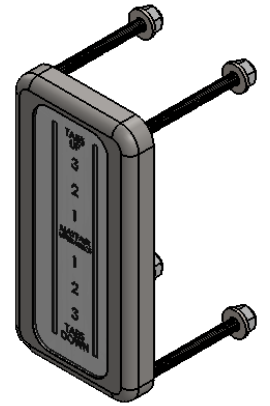
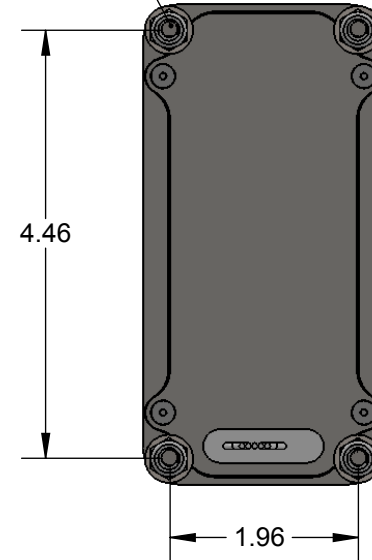
PART NO.  
137-8402

TITLE:  
2 LED TRIM TAB PANEL

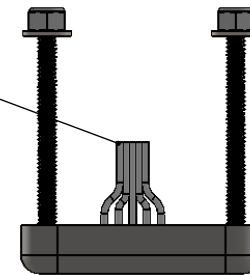
www,.mayfairhydraulics.com



4x10-24 MOUNTING STUDS



WIRES THAT CONNECT TO EACH TRIM TAB SENSOR.

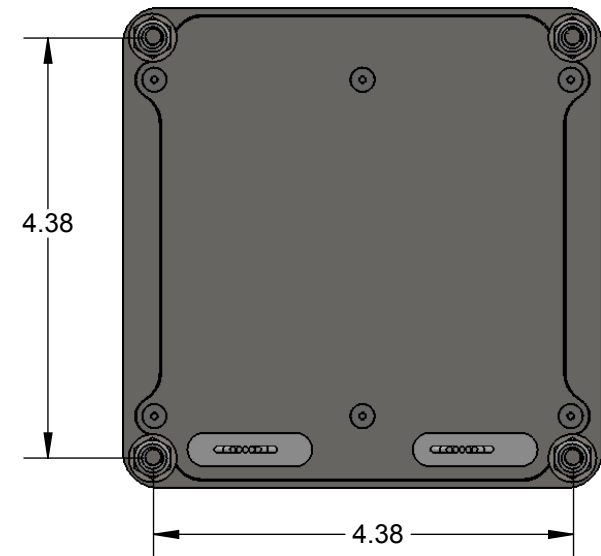
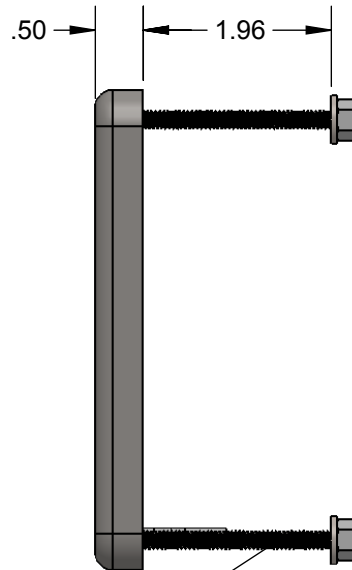
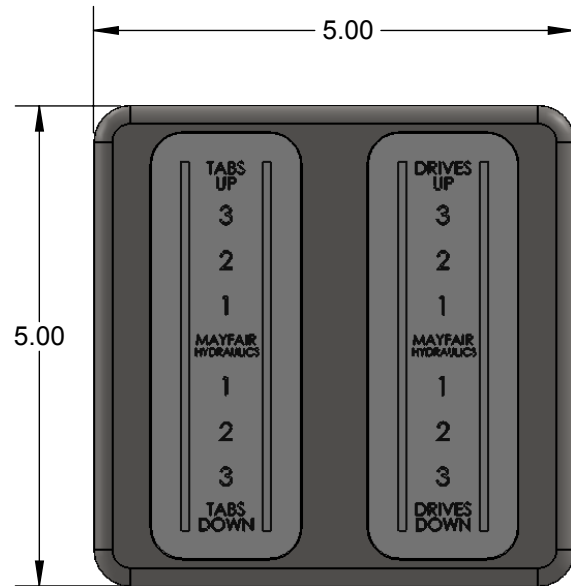
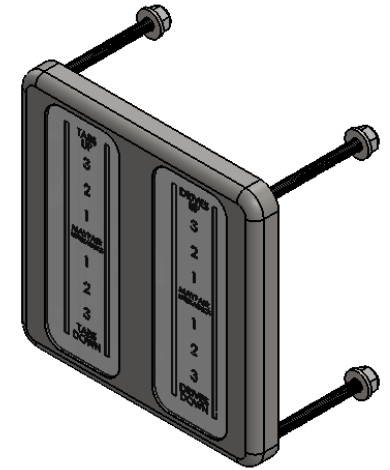


MAYFAIR HYDRAULICS

PART NO.  
137-8404

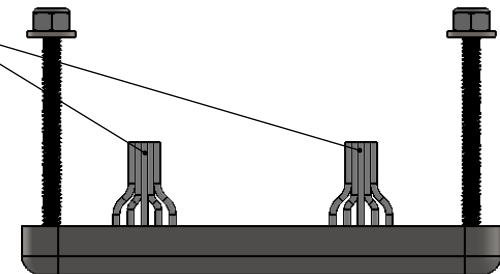
TITLE:  
4 LED TRIM/DRIVE PANEL

www.mayfairhydraulics.com



4x10-24 MOUNTING STUDS

WIRES THAT CONNECT TO EACH TRIM TAB SENSOR.



THIS DRAWING IS CONFIDENTIAL AND IS SUPPLIED ON EXPRESS CONDITION THAT IT SHALL NOT BE LENT, COPIED OR DISCLOSED TO ANY OTHER PERSON OR USED FOR ANY OTHER PURPOSE WITHOUT WRITTEN CONSENT OF HARDIN MARINE INC.. BREACH OF THIS CONTRACT WILL HOLD ..... AND IT'S PRINCIPALS LIABLE FOR LOSS AND DAMAGES.