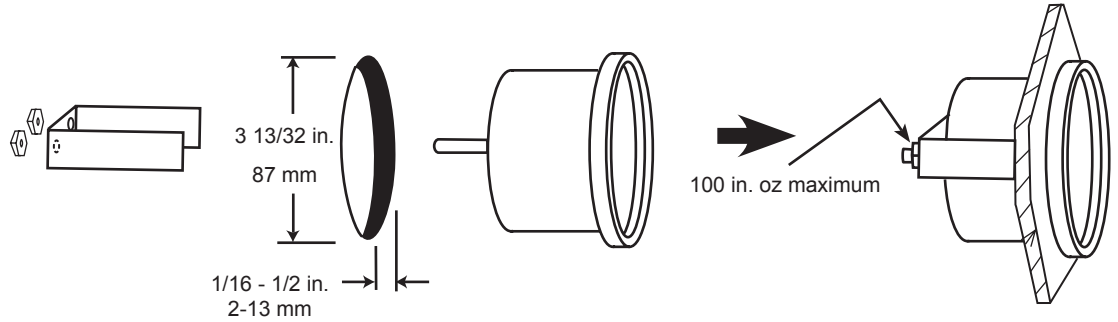


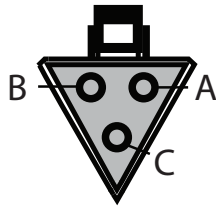


GPS SPEEDOMETER

1. Install



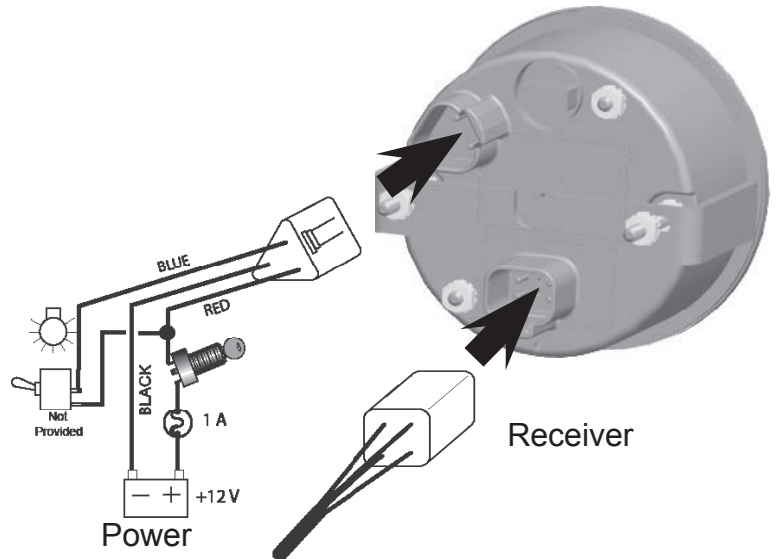
2. Wire Connection



Pin A	Red	Power
Pin B	Blue	Light
Pin C	Black	Ground



Pin 1	White	Plus
Pin 2	Green	Minus
Pin 3	Red	Power
Pin 4	Black	Ground



- A. Disconnect battery before wire connections.
- B. The Hardin Marine GPS Speedometer displays analog SOG (speed over ground)
- C. All data is for Reference only. It should not be used as the only source for navigation. Loss of signal and atmospheric changes are possible.
- D. It may take 60 seconds or more for the receiver to acquire satellites when the unit is first turned on or if the signal is lost.
- E. Below speeds of approximately 1.5 MPH (2.5 km/h) the speedometer will not display speed
- F. The speedometer head is compatible with all receivers, also called antennae, outputting NMEA 0183 data. If you already have such a receiver in place, the Hardin Marine receiver is not necessary.
- G. The connector and terminals for both the Power and Receiver are assembled with the GPS Speedometer head.
- H. Connect battery after all wire connections.

Sales/Support
 Hardin Marine Products
 11 Industry Drive
 Palm Coast, FL 32137, USA
 Tel (877) 900-7278
 Fax (386) 445-1122
 sales@hardin-marine.com
 www.hardin-marine.com