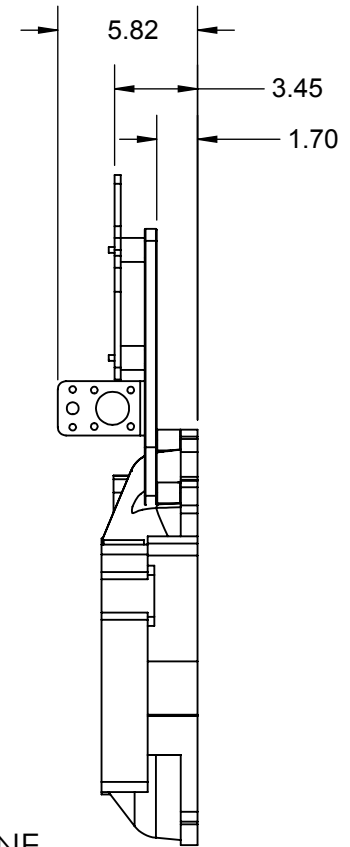
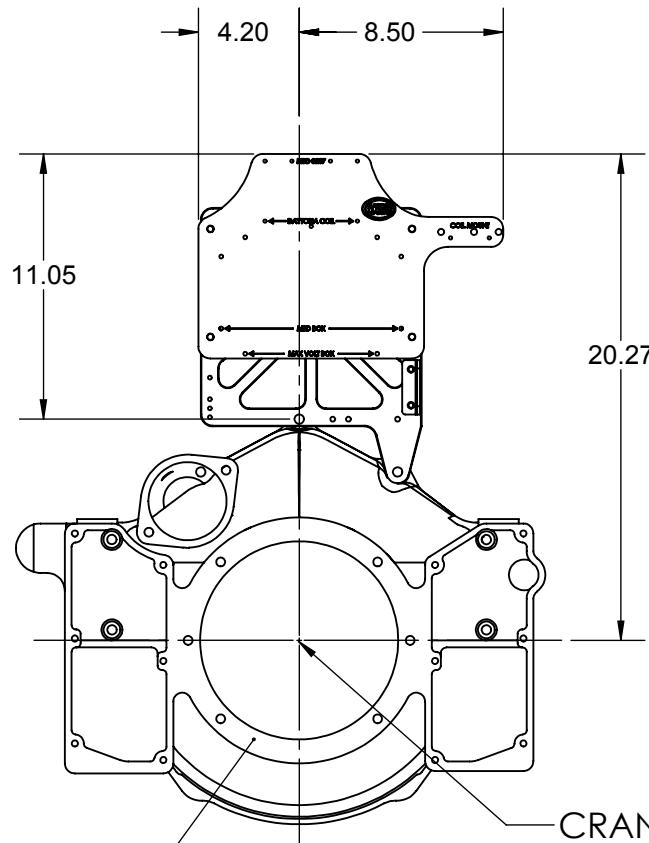


HARDIN MARINE 11 Industry Dr. Palm Coast, FL 32137
386-445-2500 / FAX 386-445-1122

PART NO.
755-3552

TITLE:
REAR TRANSMISSION ELECTRICAL BRACKET

www.hardin-marine.com



HARDIN 755-8053 BELLHOUSING WITH OIL COOLER PROVISIONS.