

HARDIN MARINE 11 Industry Dr. Palm Coast, FL 32137
386-445-2500 / FAX 386-445-1122

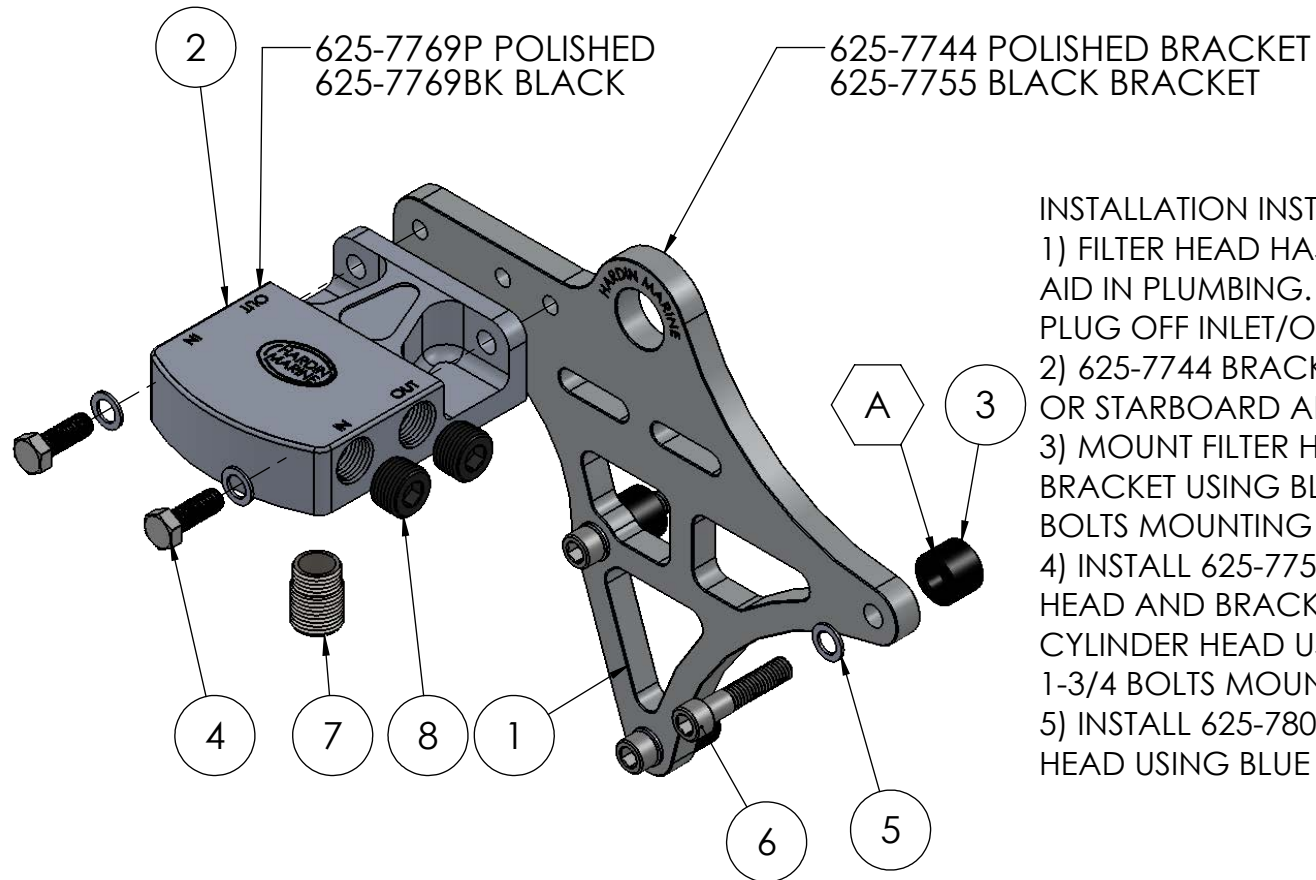
PART NO.
625-7775

ITEM NO.	PART NUMBER	DESCRIPTION	QTY.
1	625-7744	BRACKET, LOW MOUNT VERTICAL	1
2	625-7769	HEAD, FILTER - 1/2NPT	1
3	625-7754	BUSHING, HEAD MOUNT BRACKETS	3
4	90037C100HHS	BOLT, HHCS, 3/8-16x1"	2
5	90037AN-STSS	WASHER, 3/8 AN	5
6	90037C175SHS	BOLT,SHCS, 3/8-16 x 1-3/4	3
7	625-7804	ADAPTER, HP4 OIL FILTER	1
8	625-2034	1/2 NPT PIPE PLUG	2

TITLE: **LOW MOUNT VERTICAL HP 4 OIL
FILTER HEAD ASSEMBLY**

www.hardin-marine.com

625-7775 IS POLISHED HEAD AND BRACKET
625-7776 IS BLACK HEAD AND BRACKET



INSTALLATION INSTRUCTIONS:

- 1) FILTER HEAD HAS DUAL 1/2 NPT INLETS & OUTLETS TO AID IN PLUMBING. SUPPLIED IS 625-2034 PIPE PLUGS TO PLUG OFF INLET/OUTLET THAT IS NOT BEING USED.
- 2) 625-7744 BRACKET CAN BE MOUNTED EITHER PORT OR STARBOARD AND FRONT OR BACK.
- 3) MOUNT FILTER HEAD HEAD TO HEAD MOUNT BRACKET USING BLUE LOCTITE ON THE 3/8-16 x 1" BOLTS MOUNTING BOLTS. TORQUE TO 30 FT. LBS..
- 4) INSTALL 625-7754 SPACERS BETWEEN CYLINDER HEAD AND BRACKET, FIG. A. MOUNT BRACKET TO CYLINDER HEAD USING BLUE LOCTITE ON THE 3/8-16 x 1-3/4 BOLTS MOUNTING BOLTS. TORQUE TO 30 FT. LBS..
- 5) INSTALL 625-7804 HP4 ADAPTERS INTO THE FILTER HEAD USING BLUE LOCTITE.

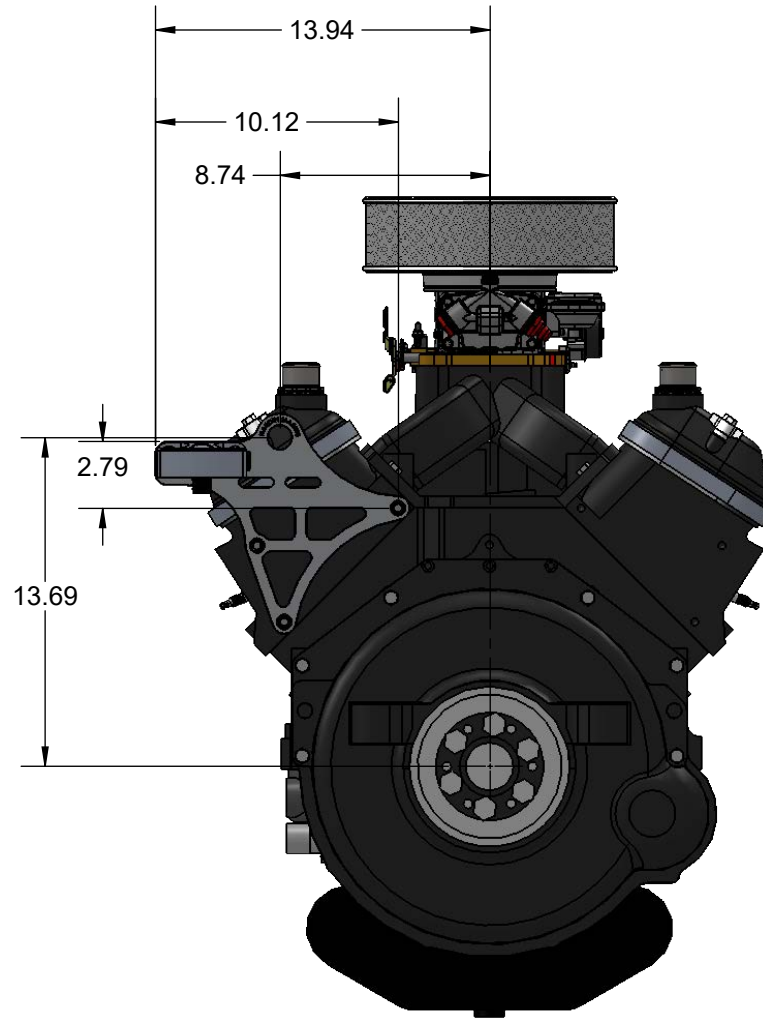
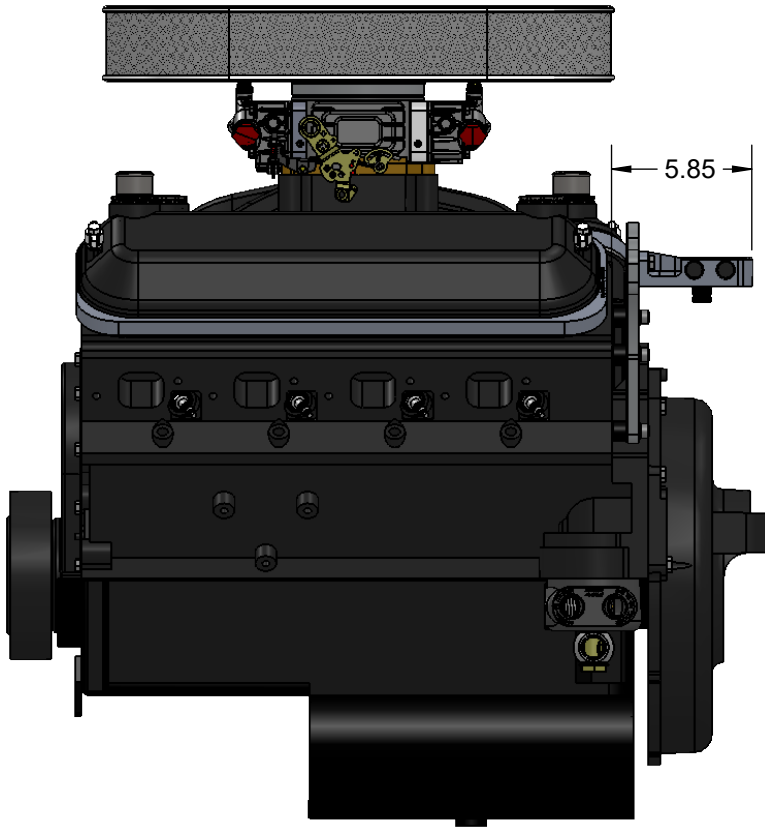
HARDIN MARINE 11 Industry Dr. Palm Coast, FL 32137
386-445-2500 / FAX 386-445-1122

PART NO.
625-7775

TITLE:
LOW MOUNT VERTICAL HP 4 OIL
FILTER HEAD ASSEMBLY

www.hardin-marine.com

625-7775 IS POLISHED HEAD AND BRACKET
625-7776 IS BLACK HEAD AND BRACKET



THIS DRAWING IS CONFIDENTIAL AND IS SUPPLIED ON EXPRESS CONDITION THAT IT SHALL NOT BE LENT, COPIED OR DISCLOSED TO ANY OTHER PERSON OR USED FOR ANY OTHER PURPOSE WITHOUT WRITTEN CONSENT OF HARDIN MARINE INC.. BREACH OF THIS CONTRACT WILL HOLD AND IT'S PRINCIPALS LIABLE FOR LOSS AND DAMAGES.