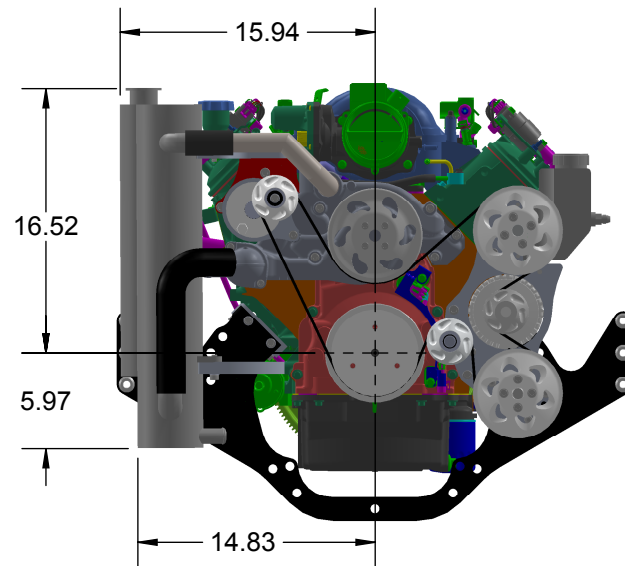
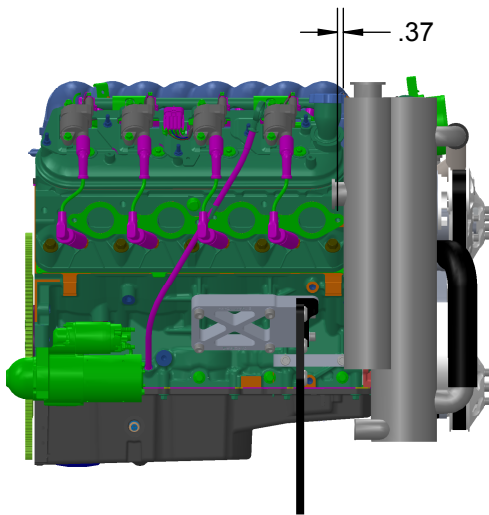
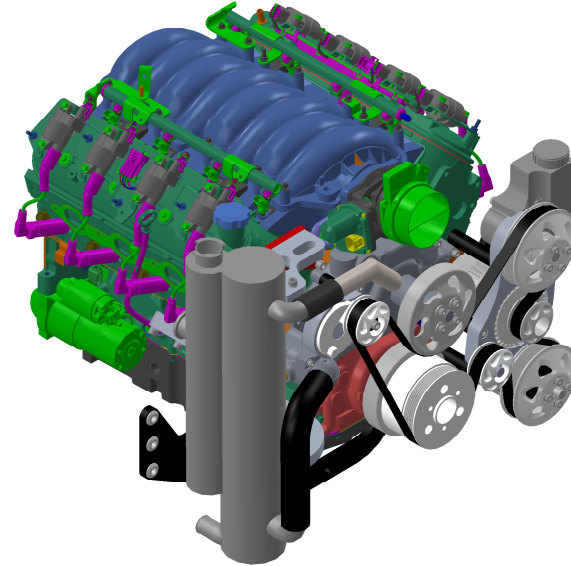


HARDIN MARINE 11 Industry Dr. Palm Coast, FL 32137
386-445-2500 / FAX 386-445-1122

PART NO.
625-4574

TITLE:
LS HEAT EXHCHANGER INSTALLED VIEWS

www.hardin-marine.com

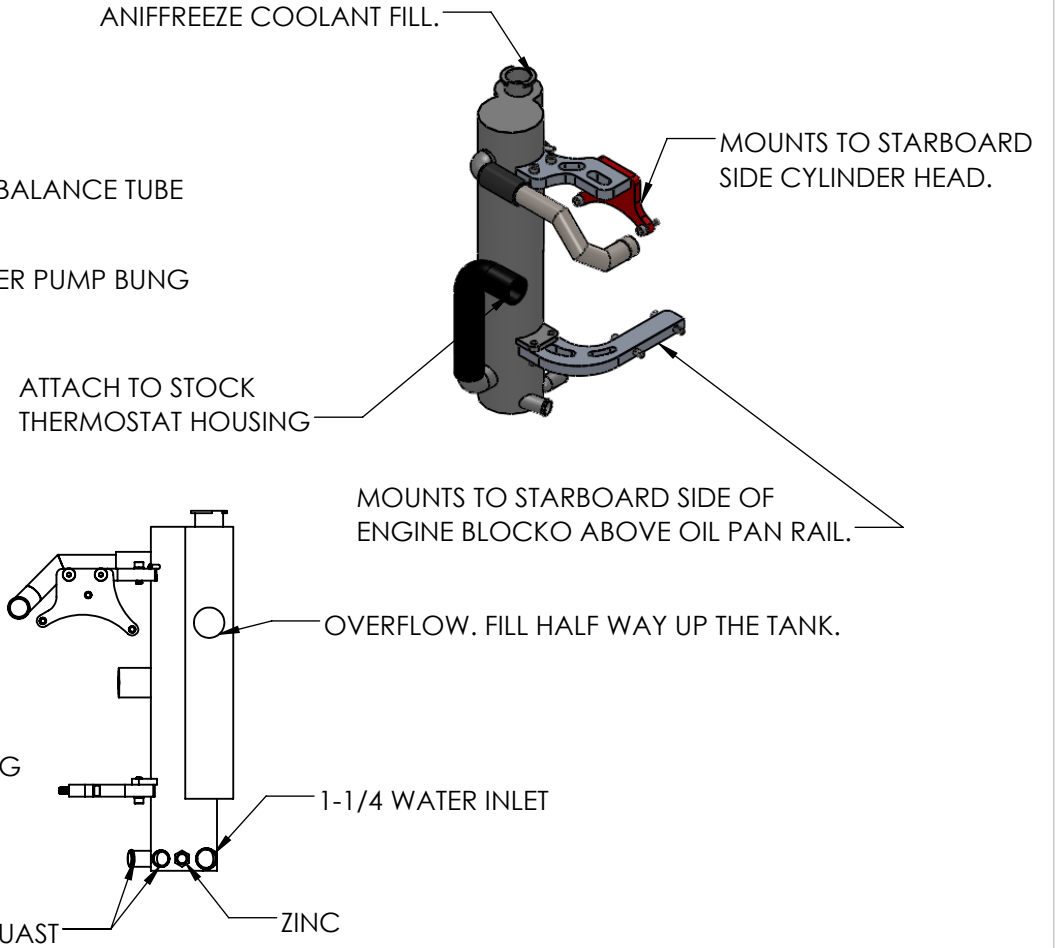
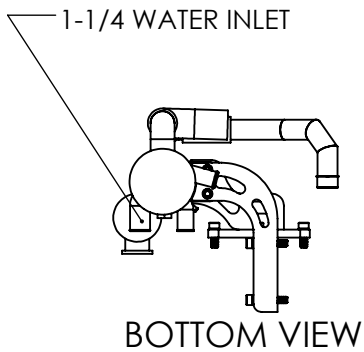
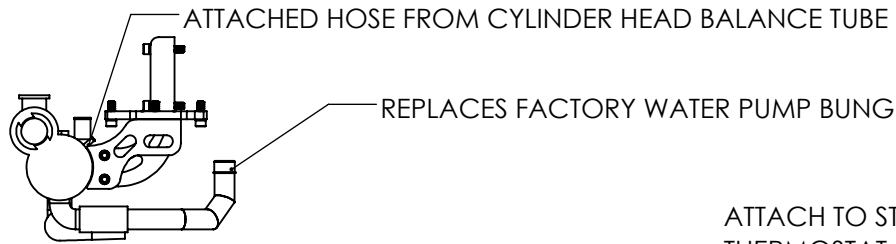


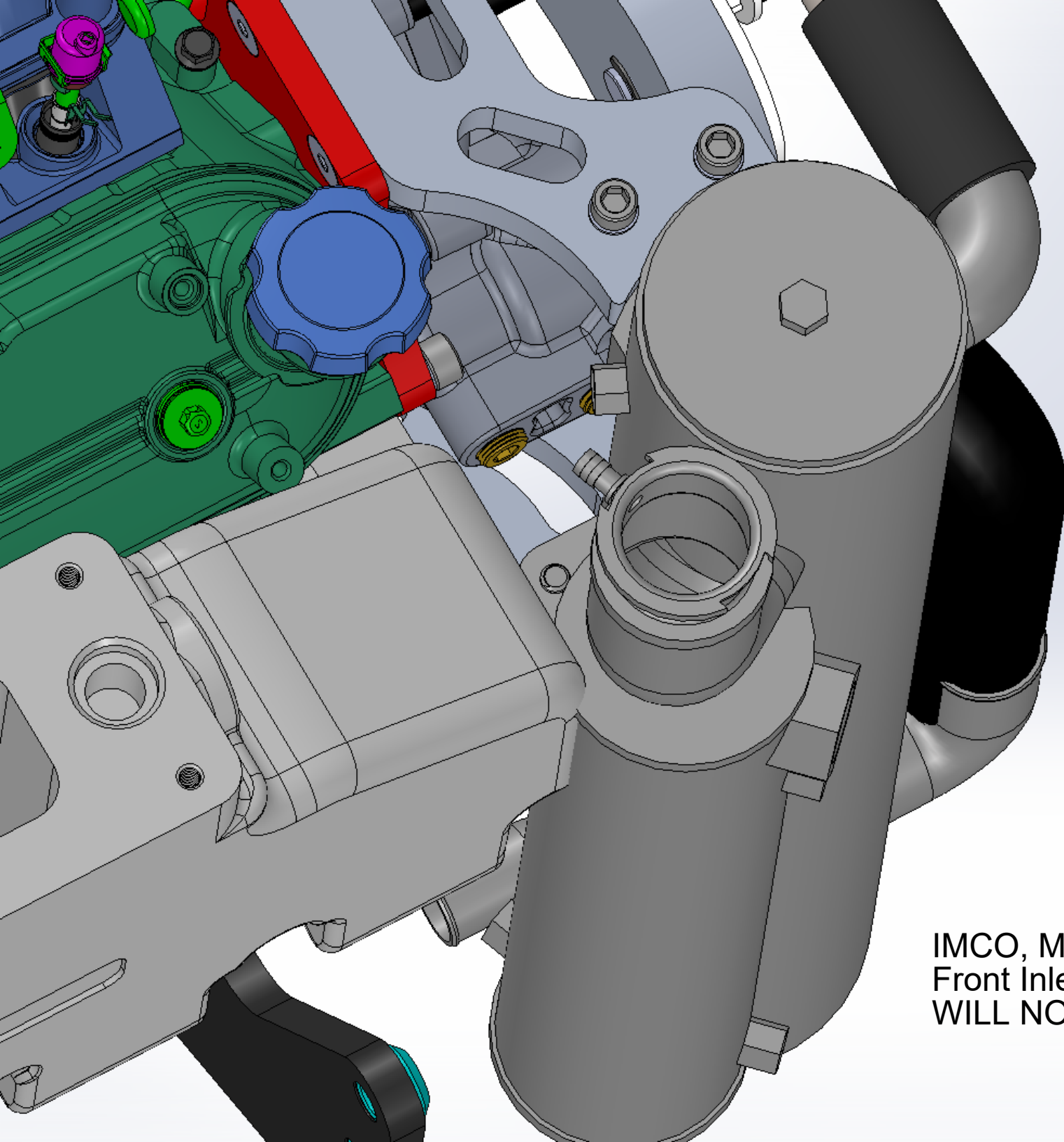
THIS DRAWING IS CONFIDENTIAL AND IS SUPPLIED ON EXPRESS CONDITION THAT IT SHALL NOT BE LENT, COPIED OR DISCLOSED TO ANY OTHER PERSON OR USED FOR ANY OTHER PURPOSE WITHOUT WRITTEN CONSENT OF HARDIN MARINE INC.. BREACH OF THIS CONTRACT WILL HOLD AND IT'S PRINCIPALS LIABLE FOR LOSS AND DAMAGES.

TITLE:

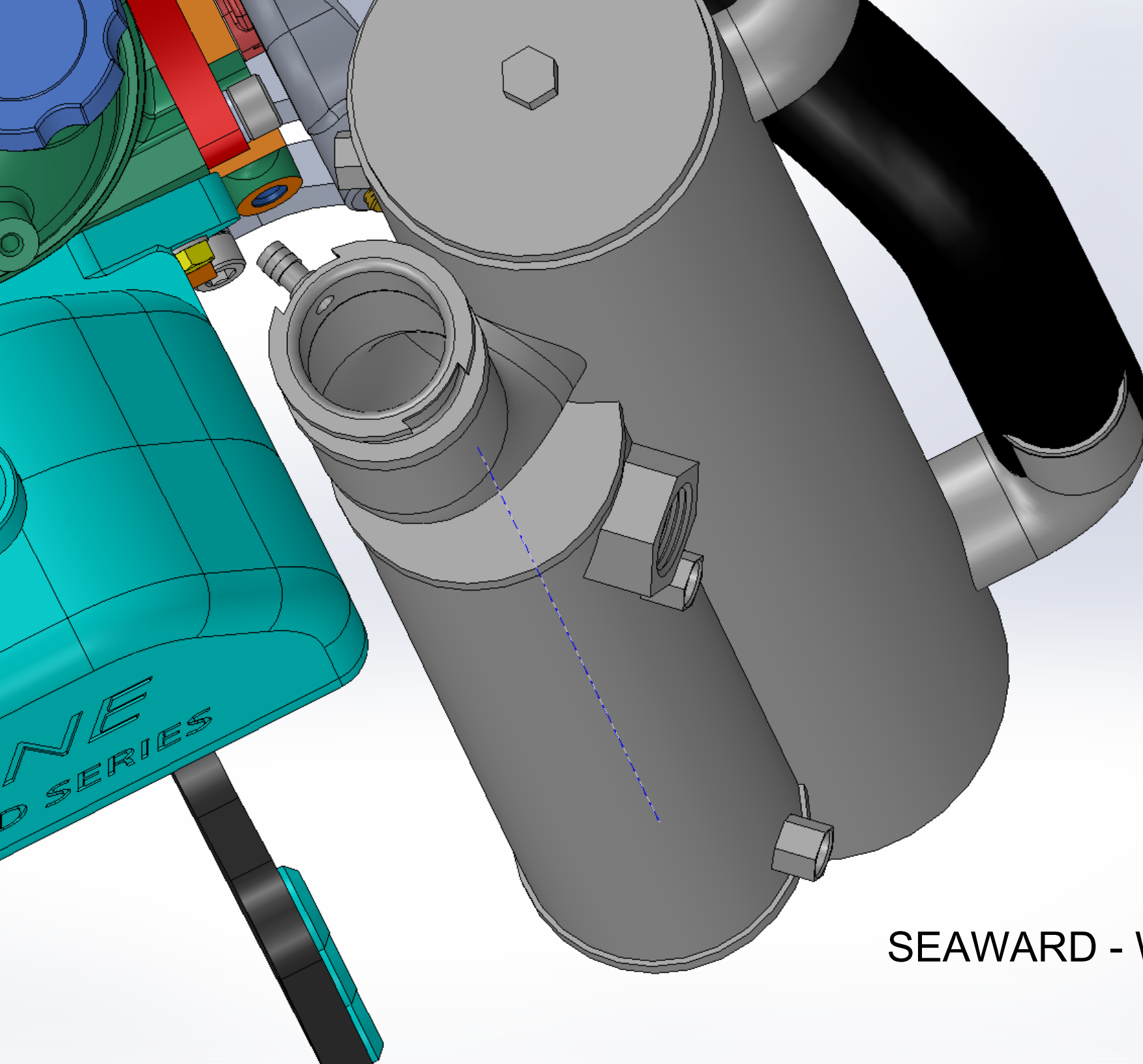
LS HEAT EXCHANGER AND BRACKETS

www.hardin-marine.com





IMCO, Marine Power and Other
Front Inlet Exhaust Systems -
WILL NOT FIT



SEAWARD - WILL FIT