

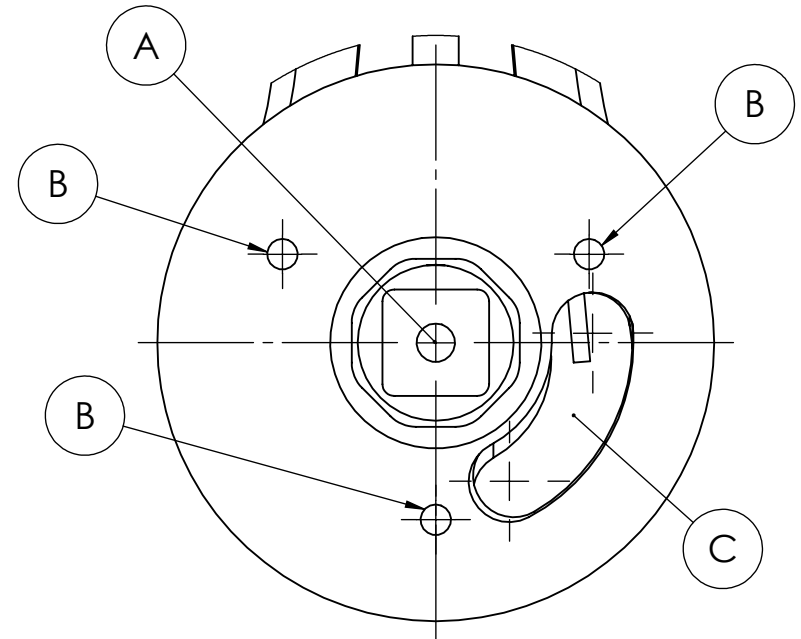
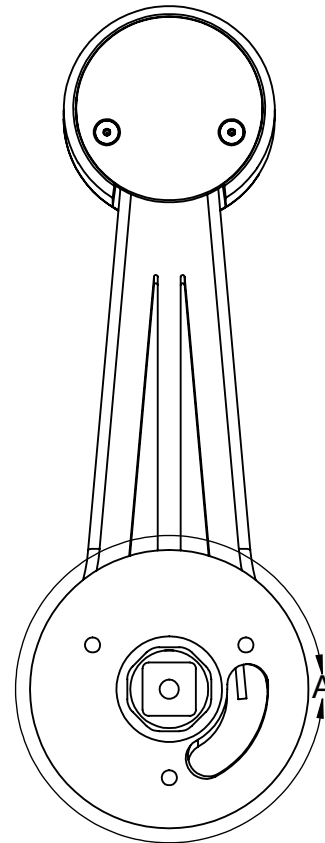
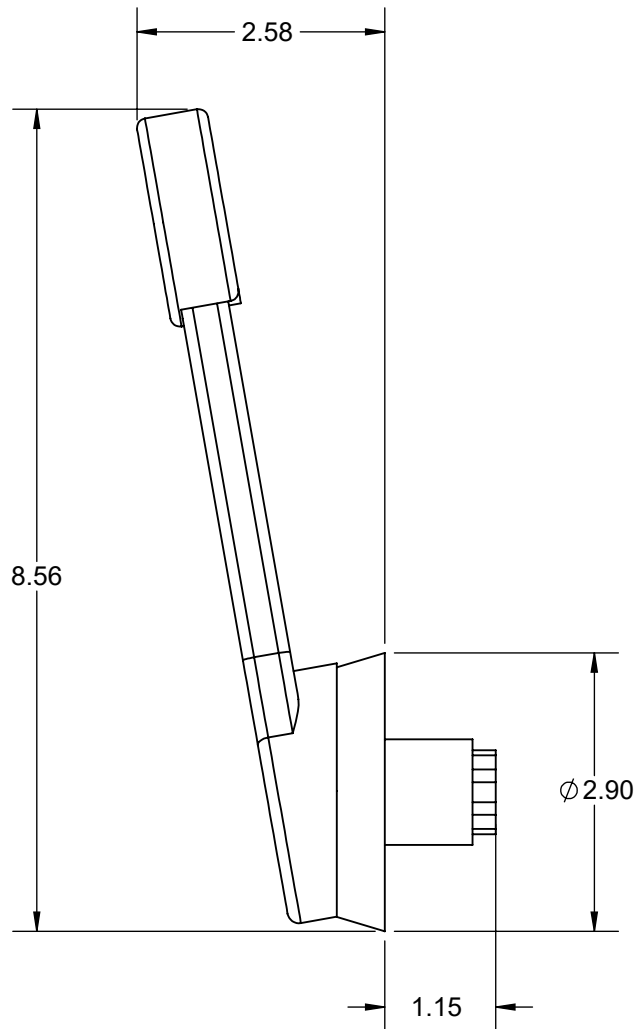
HARDIN MARINE 11 Industry Dr. Palm Coast, FL 32137  
386-445-2500 / FAX 386-445-1122

PART NO.  
620-6032X

FOR CONTROLS:  
620-60320  
620-60321  
620-60322  
620-60323

TITLE:  
SPORT SHIFTER INSTALLATION TEMPLATE

www.hardin-marine.com



DETAIL A  
SCALE 1 : 1

INSTALLATION INSTRUCTIONS:

- 1) MAKE SURE PRINTER IS SET FOR 100% SCALE.
- 2) CUTOUT THE TEMPLATE ABOVE AND TAPE TO INSTALLATION AREA.
- 3) TAKE CENTER PUNCH AND MARK OFF FIGURE A, B & C.
- 4) USE 1-1/4 HOLE SAW FOR FIG. A.
- 5) USE  $\phi 1/4$  DRILL BIT FOR THE 3 MOUNTING HOLES, FIG. B.
- 6) FIG. C SHOWS THE AREA FOR THE WIRE COME THRU. THIS IS ONLY FOR 620-60321 & 620-60323 THAT HAS TRIM SWITCHES.