

HARDIN
MARINE

11 Industry Dr. Palm Coast, FL 32137
386-445-2500 / FAX 386-445-1122

PART NO.
620-3813X

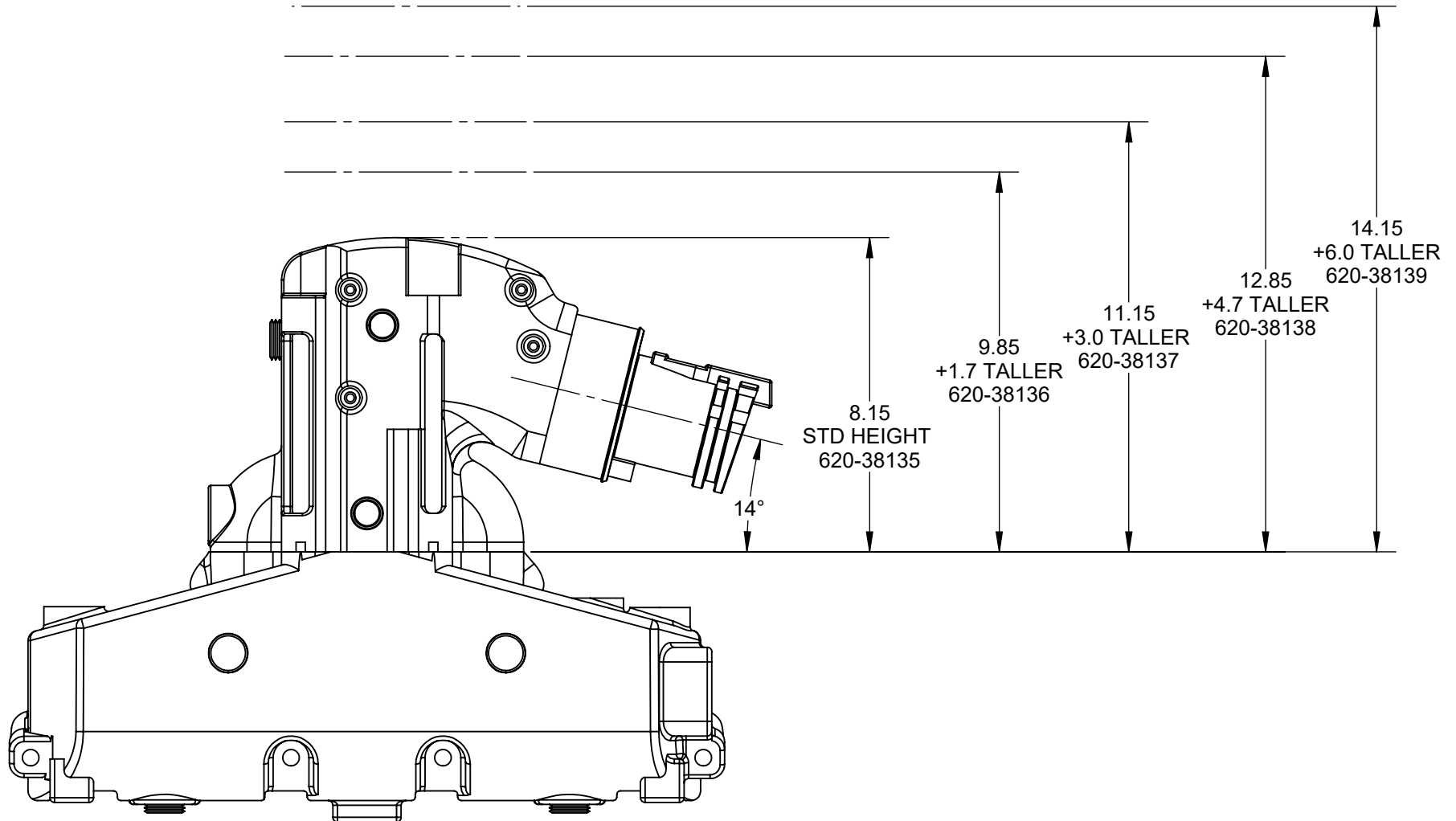
FOR MERCURY 2005 + WITH 14 DEGREE RISER

TITLE:

MERCURY SBC DRY JOINT RISER HEIGHTS

www.hardin-marine.com

MERCURY OFFERED 5 DIFFERENT RISER EXIT HEIGHTS. MEASURE FROM THE BOTTOM OF THE RISER TO THE TOP OF THE RISER. THE DIMENSIONS BELOW SHOW WHICH KIT PART NUMBER TO ORDER. WE OFFER EACH KIT WITH OR WITHOUT SALT WATER ZINC COAT AND WITH OR WITHOUT CLOSED COOLING.



THIS DRAWING IS CONFIDENTIAL AND IS SUPPLIED ON EXPRESS CONDITION THAT IT SHALL NOT BE LENT, COPIED OR DISCLOSED TO ANY OTHER PERSON OR USED FOR ANY OTHER PURPOSE WITHOUT WRITTEN CONSENT OF HARDIN MARINE INC.. BREACH OF THIS CONTRACT WILL HOLD AND IT'S PRINCIPALS LIABLE FOR LOSS AND DAMAGES.

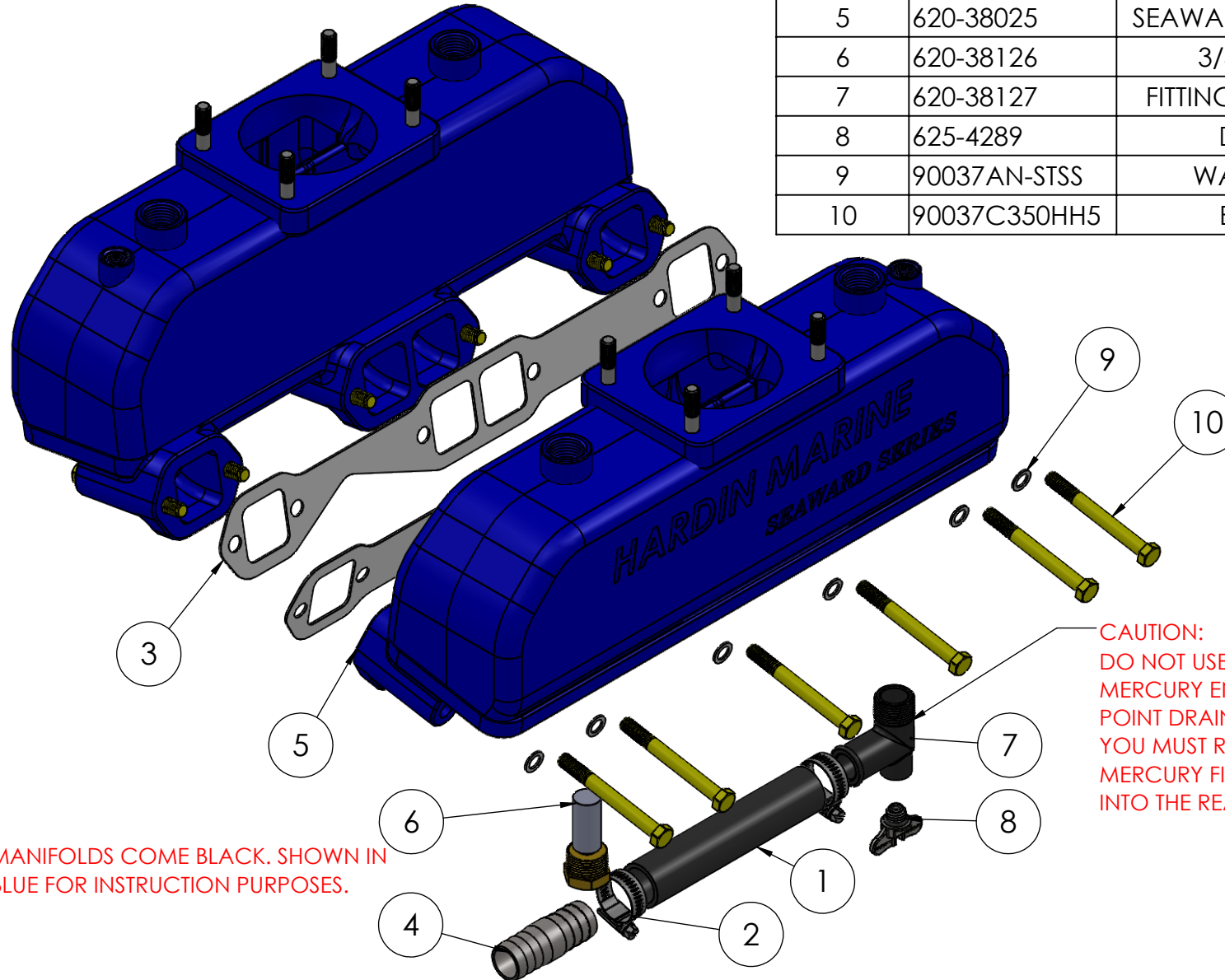
HARDIN MARINE 11 Industry Dr. Palm Coast, FL 32137
386-445-2500 / FAX 386-445-1122

PART NO.
620-38031

TITLE: SEAWARD SBC MANIFOLD -620-38025 & 620-38101
INSTALL KIT

www.hardin-marine.com

ITEM NO.	PART NUMBER	DESCRIPTION	QTY.
1	100-100-1004	1" WATER HOSE	18"
2	100-720-6316	HOSE CLAMP	4
3	300-1404	SBC EXHAUST GASKET	2
4	540-223025	SPLICE, 1" HOSE	2
5	620-38025	SEAWARD SBC MANIFOLD	2
6	620-38126	3/4 NPT ANODE	2
7	620-38127	FITTING, SEAWARD INLET	2
8	625-4289	DRAIN PLUG	2
9	90037AN-STSS	WASHER, 3/8 AN	12
10	90037C350HH5	BOLT, 3/8-16	12



MANIFOLDS COME BLACK. SHOWN IN BLUE FOR INSTRUCTION PURPOSES.

CAUTION:
DO NOT USE THIS FITTING FOR 2005 + MERCURY ENGINES WITH SINGLE AND 3 POINT DRAIN SYSTEMS. FOR THOSE ENGINES YOU MUST REUSE YOUR ORIGINAL MERCURY FITTING. IT MUST BE INSTALLED INTO THE REAR PORT. LIKE SHOWN.

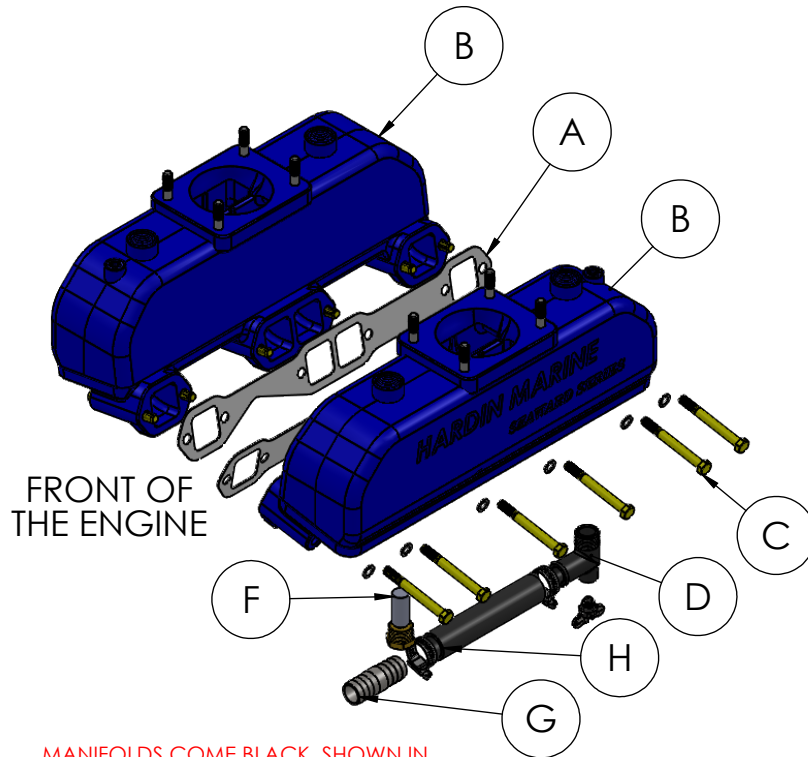
THIS DRAWING IS CONFIDENTIAL AND IS SUPPLIED ON EXPRESS CONDITION THAT IT SHALL NOT BE LENT, COPIED OR DISCLOSED TO ANY OTHER PERSON OR USED FOR ANY OTHER PURPOSE WITHOUT WRITTEN CONSENT OF HARDIN MARINE INC.. BREACH OF THIS CONTRACT WILL HOLD AND IT'S PRINCIPALS LIABLE FOR LOSS AND DAMAGES.

HARDIN MARINE 11 Industry Dr. Palm Coast, FL 32137
386-445-2500 / FAX 386-445-1122

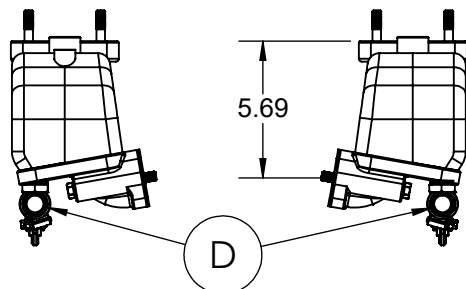
PART NO.
620-38031

TITLE: SEAWARD SBC MANIFOLD INSTALL
- 620-38025 & 620-38101

www.hardin-marine.com



MANIFOLDS COME BLACK. SHOWN IN BLUE FOR INSTRUCTION PURPOSES.



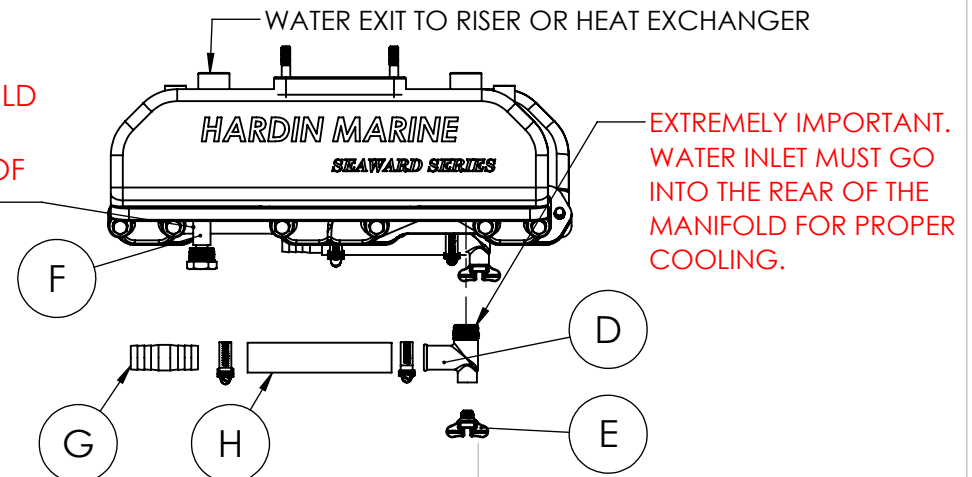
WARNING** ANODES ARE A SERVICEABLE PART AND SHOULD BE INSPECTED ROUTINELY DEPENDING ON THE NATURE OF THE BOATING ENVIRONMENT.

THIS DRAWING IS CONFIDENTIAL AND IS SUPPLIED ON EXPRESS CONDITION THAT IT SHALL NOT BE LENT, COPIED OR DISCLOSED TO ANY OTHER PERSON OR USED FOR ANY OTHER PURPOSE WITHOUT WRITTEN CONSENT OF HARDIN MARINE INC.. BREACH OF THIS CONTRACT WILL HOLD AND IT'S PRINCIPALS LIABLE FOR LOSS AND DAMAGES.

INSTALLATION INSTRUCTIONS:

- 1) MAKE SURE CYLINDER HEAD EXHAUST MOUNTING SURFACE IS FREE OF KNICKS AND ANY OLD GASKET MATERIAL IS REMOVED. SEALANT IS NOT REQUIRED ON THE NEW SUPPLIED GASKETS. FIG. A.
- 2) THE PORT AND STARBOARD MANIFOLDS ARE THE SAME PART AND CAN BE USED ON EITHER SIDE OF THE ENGINE. FIG. B.
- 3) INSTALL MANIFOLDS WITH THE SUPPLIED 3/8 BOLTS AND WASHERS. APPLY ANTI-SIEZE TO 3/8 MOUNTING BOLTS, FIG.C . USING A 9/16 SOCKET, TORQUE TO 30 FT. LBS..
- 4) SIDE VIEW BELOW AND ISOMETRIC VIEW TO THE LEFT SHOWS PORT SIDE MANDATORY WATER INLET POSITION. 1" HOSE BARB FITTING MUST BE INSTALLED INTO THE BOTTOM, REAR PORT OF THE MANIFOLD, FIG. D. NO ADDITIONAL SEALANT IS NEEDED. CAREFULL NOT TO CROSS THREAD THE FITTING. DO NOT OVER TIGHTEN. DO NOT USE THIS FITTING FOR 2005 + MERCURY ENGINES WITH SINGLE AND 3 POINT DRAIN SYSTEMS. FOR THOSE ENGINES YOU MUST REUSE YOUR ORIGINAL MERCURY FITTING. IT MUST BE INSTALLED INTO THE REAR PORT. LIKE SHOWN.
- 5) INSTALL DRAIN PLUG, FIG. E, INTO THE BOTTOM OF THE WATER INLET BUNG.
- 6) USING 1-1/16 SOCKET, INSTALL 3/4 ANODE PLUG, FIG. F, INTO THE FRONT WATER INLET BUNG. NO ADDITIONAL SEALANT IS NEEDED.
- 7) INSTALL 1" SPLICE, FIG. G INTO YOUR EXISTING STOCK WATER INLET HOSE. 8) CUT TO LENGTH THE PROVIDED HOSE, FIG. H TO CONNECT THE STOCK HOSE TO WATER INLET FITTING IN THE REAR OF THE MANIFOLD, FIG. D. INSTALL HOSE CLAMPS. (MAKE SURE IT IS A CONSTANT FLOW WATER SUPPLY).
- 9) GO TO 620-38046 TAILPIPE INSTRUCTIONS TO COMPLETE INSTALLATION.

CAUTION** HARDIN MARINE MANIFOLD SYSTEMS ARE DESIGNED FOR USE ON ENGINES WITH FULL TIME CONSTANT WATER CIRCULATION AT ALL TIMES.
NOTE** AFTER APPROXIMATELY 2-5 HOURS USE OR NUMEROUS ENGINE HEAT CYCLES ALL HARDWARE MUST BE RETORQUED AND OR TIGHTENED.



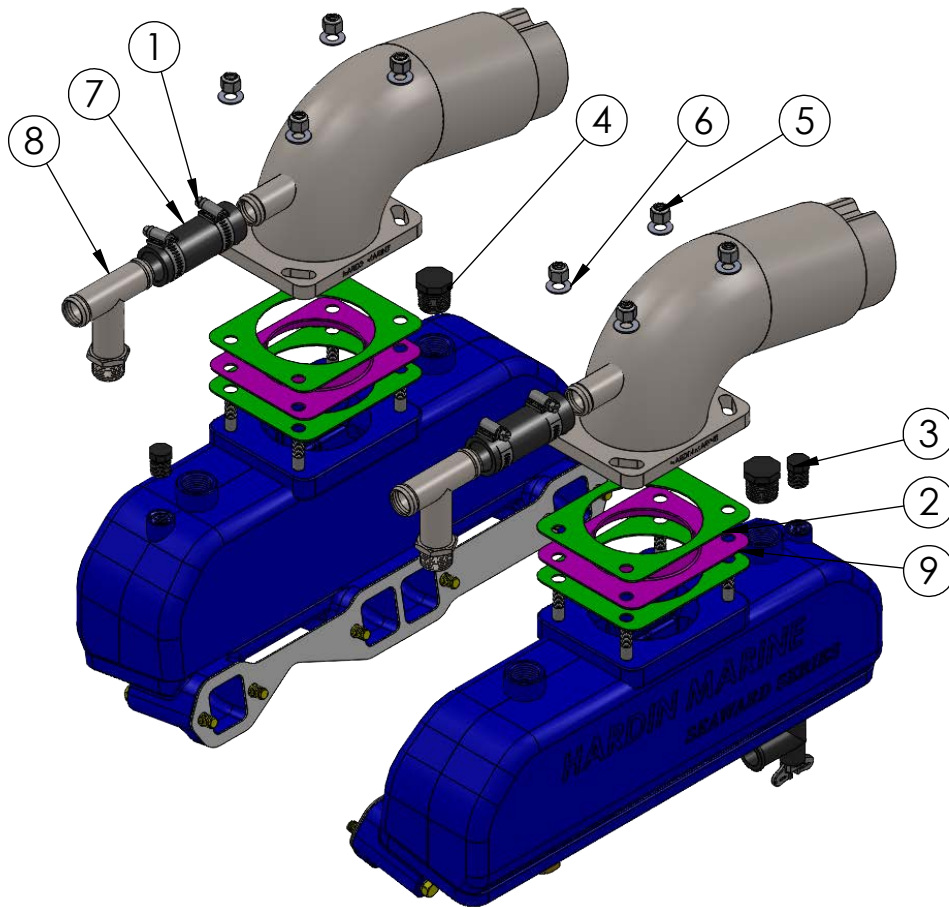
HARDIN
MARINE

11 Industry Dr. Palm Coast, FL 32137
386-445-2500 / FAX 386-445-1122

PART NO.
620-38140

TITLE: SEAWARD SBC DRY JOINT RISER
INSTALL KIT - FRESH WATER

www.hardin-marine.com



ITEM NO.	PART NUMBER	DESCRIPTION	QTY.
1	100-720-6316	HOSE CLAMP	4
2	620-38006	RISER GASKET	4
3	625-2084	PLUG, PIPE 3/8NPT	2
4	625-2086	PLUG, PIPE - 3/4 NPT	2
5	90037CN-FNSS	NUT, 3/8-16	8
6	90037SA-STSS	WASHER, 3/8 SAE	8
7	420-906515	HOSE, JUMP	2
8	620-38130	TEE, WATER INLET - CLOSED COOLING	2
9	620-38089	TURBULATOR, SEAWARD	2

INSTALLATION NOTES:

- 1) FOR MERCURY 2005 + WITH 14 DEGREE RISER WITH CLOSED COOLING.
- 2) APPLY LIQUID THREAD SEALANT TO THE SUPPLIED 1" TEE FITTING, 3/8 & 3/4 NPT PIPE PLUGS.
- 3) USING 1-1/16 WRENCH, INSTALL #8 TEE FITTINGS INTO FRONT OF THE MANIFOLDS.
- 4) USING 1-1/8 WRENCH, INSTALL #4 3/4NPT PIPE PLUGS INTO THE REAR OF THE MANIFOLDS.
- 5) USING 13/16 WRENCH, INSTALL #3 3/8 NPT PIPE PLUGS.
- 6) APPLY ANTI-SIEZE TO THE 8 STUDS.
- 7) SLIDE GASKET, TURBULATOR AND ANOTHER GASKET OVER STUDS. DO NOT USE SEALANT ON THE GASKETS.
- 8) INSTALL RISERS.
- 9) INSTALL 620-38131 SHIFT BRACKET AND 620-38132 ECU BRACKET, NOT SHOWN. USE THE INSTRUCTIONS THAT CAME WITH THOSE KITS.
- 10) INSTALL #6 WASHERS AND #5 NUTS. USING 9/16 SOCKET, TORQUE TO 30 FT. LBS..
- 11) INSTALL #7 JUMPER HOSE AND #1 HOSE CLAMPS.
- 12) SEE THE FRESH WATER INSTRUCTIONS FOR PLUMBING INSTRUCTIONS.

CAUTION HARDIN MARINE MANIFOLD SYSTEMS ARE DESIGNED FOR USE ON ENGINES WITH FULL TIME CONSTANT WATER CIRCULATION AT ALL TIMES. NOTE** AFTER APPROXIMATELY 2-5 HOURS USE OR NUMEROUS ENGINE HEAT CYCLES ALL HARDWARE MUST BE RETORQUED AND OR TIGHTENED.**

THIS DRAWING IS CONFIDENTIAL AND IS SUPPLIED ON EXPRESS CONDITION THAT IT SHALL NOT BE LENT, COPIED OR DISCLOSED TO ANY OTHER PERSON OR USED FOR ANY OTHER PURPOSE WITHOUT WRITTEN CONSENT OF HARDIN MARINE INC.. BREACH OF THIS CONTRACT WILL HOLD AND IT'S PRINCIPALS LIABLE FOR LOSS AND DAMAGES.

HARDIN
MARINE

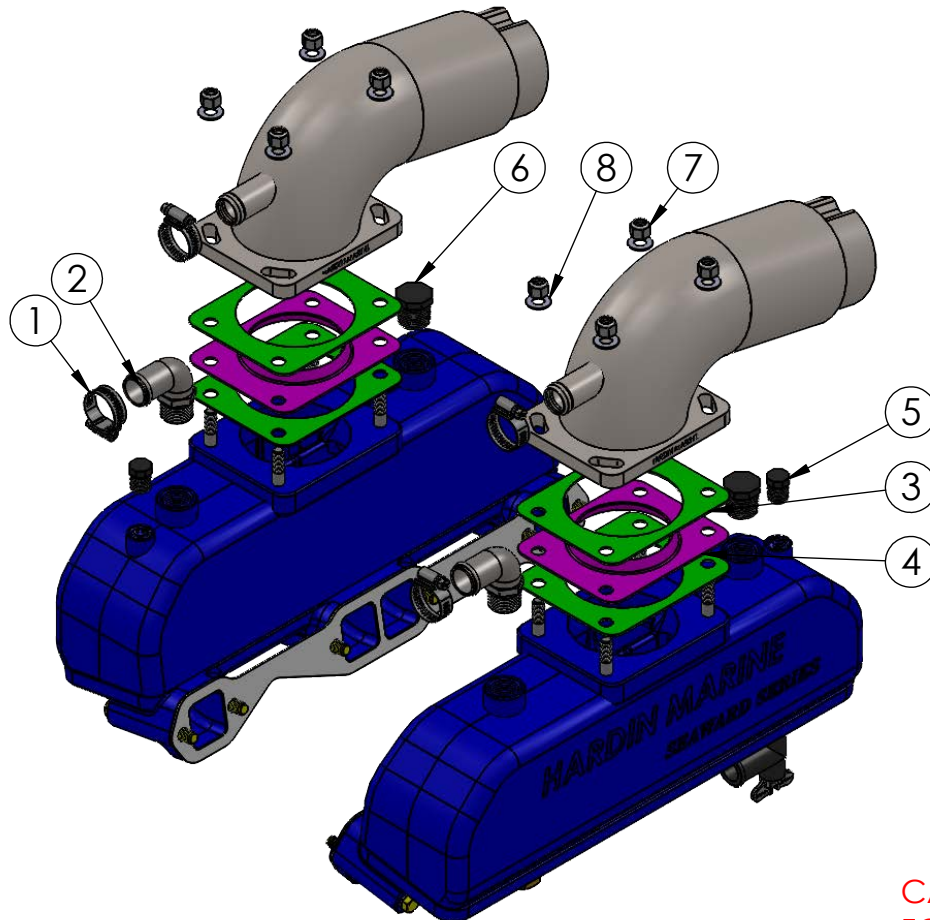
11 Industry Dr. Palm Coast, FL 32137
386-445-2500 / FAX 386-445-1122

PART NO.

620-38141

TITLE: SEAWARD SBC DRY JOINT RISER
INSTALL KIT - CLOSED COOLING

www.hardin-marine.com



ITEM NO.	PART NUMBER	DESCRIPTION	QTY.
1	100-720-6316	HOSE CLAMP	4
2	540-222120	FITTING, 3/4NPT x 1' BARB 90 DEG	2
3	620-38006	RISER GASKET	4
4	620-38089	TURBULATOR, SEAWARD	2
5	625-2084	PLUG, PIPE 3/8NPT	2
6	625-2086	PLUG, PIPE - 3/4 NPT	2
7	90037CN-FNSS	NUT, 3/8-16	8
8	90037SA-STSS	WASHER, 3/8 SAE	8

INSTALLATION NOTES:

- 1) FOR MERCURY 2005 + WITH 14 DEGREE RISER WITH CLOSED COOLING.
- 2) APPLY LIQUID THREAD SEALANT TO THE SUPPLIED 1" TEE FITTING, 3/8 & 3/4 NPT PIPE PLUGS.
- 3) USING 1-1/16 WRENCH, INSTALL #2 BARB FITTINGS INTO FRONT OF THE MANIFOLDS.
- 4) USING 1-1/8 WRENCH, INSTALL #6 3/4NPT PIPE PLUGS INTO THE REAR OF THE MANIFOLDS.
- 5) USING 13/16 WRENCH, INSTALL #5 3/8 NPT PIPE PLUGS.
- 6) APPLY ANTI-SIEZE TO THE 8 STUDS.
- 7) SLIDE GASKET, TURBULATOR AND ANOTHER GASKET OVER STUDS. DO NOT USE SEALANT ON THE GASKETS.
- 8) INSTALL RISERS.
- 9) INSTALL 620-38131 SHIFT BRACKET AND 620-38132 ECU BRACKET, NOT SHOWN. USE THE INSTRUCTIONS THAT CAME WITH THOSE KITS.
- 10) INSTALL #8 WASHERS AND #7 NUTS. USING 9/16 SOCKET, TORQUE TO 30 FT. LBS..
- 11) SEE THE CLOSED COOLING INSTRUCTIONS FOR PLUMBING INSTRUCTIONS.

CAUTION HARDIN MARINE MANIFOLD SYSTEMS ARE DESIGNED FOR USE ON ENGINES WITH FULL TIME CONSTANT WATER CIRCULATION AT ALL TIMES. NOTE** AFTER APPROXIMATELY 2-5 HOURS USE OR NUMEROUS ENGINE HEAT CYCLES ALL HARDWARE MUST BE RETORQUED AND OR TIGHTENED.**

HARDIN
MARINE

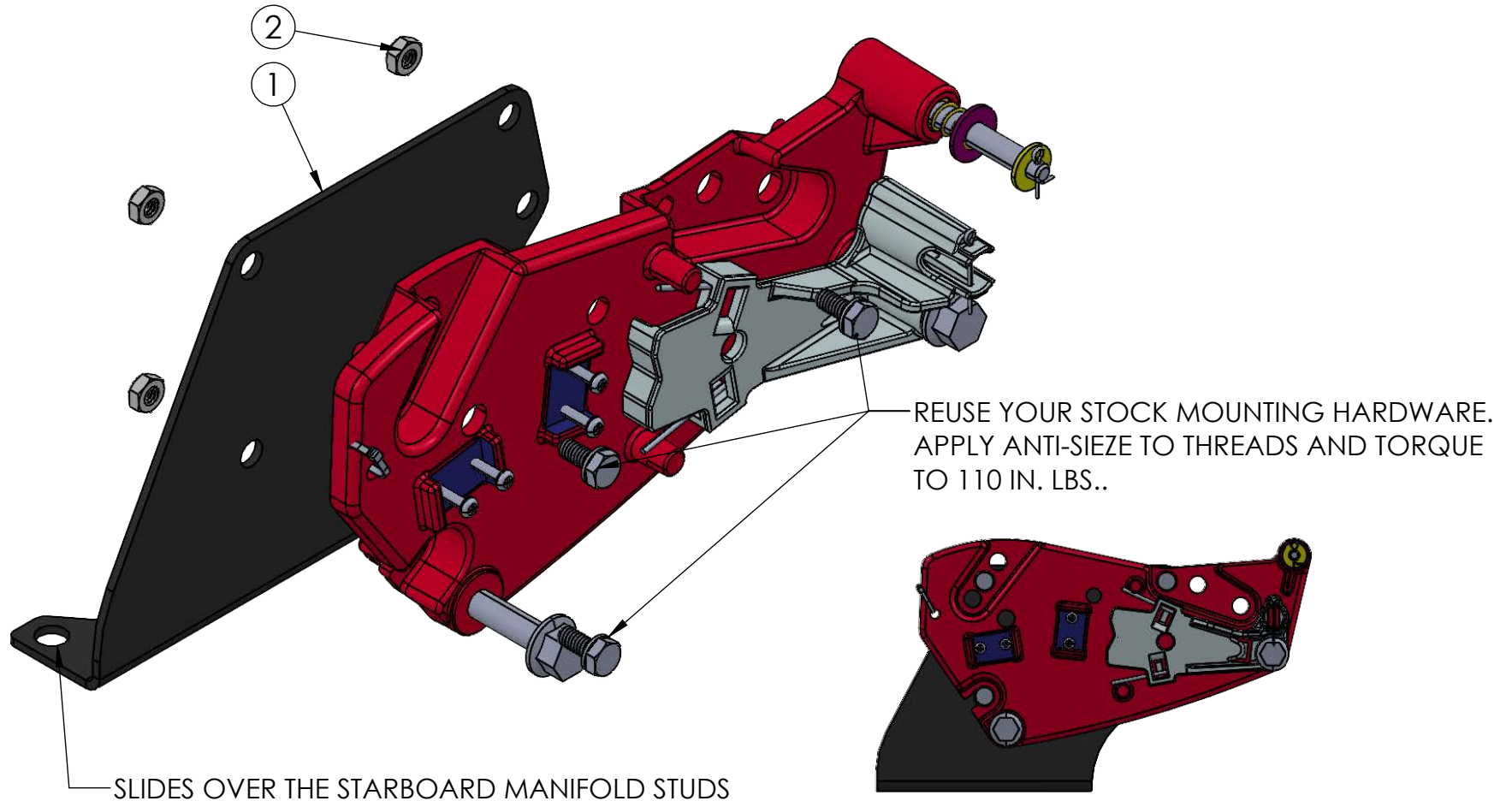
11 Industry Dr. Palm Coast, FL 32137
386-445-2500 / FAX 386-445-1122

PART NO.
620-38131i

ITEM NO.	PART NUMBER	DESCRIPTION	QTY.
1	620-38131	BRACKET,SHIFT - SEAWARD SBC DRY JOINT	1
2	90025CN-HNSS	NUT, 1/4-20 HALF LOCKING	3

TITLE:
SEAWARD SBC DRY JOINT SHIFT BRACKET

www.hardin-marine.com



THIS DRAWING IS CONFIDENTIAL AND IS SUPPLIED ON EXPRESS CONDITION THAT IT SHALL NOT BE LENT, COPIED OR DISCLOSED TO ANY OTHER PERSON OR USED FOR ANY OTHER PURPOSE WITHOUT WRITTEN CONSENT OF HARDIN MARINE INC.. BREACH OF THIS CONTRACT WILL HOLD AND IT'S PRINCIPALS LIABLE FOR LOSS AND DAMAGES.

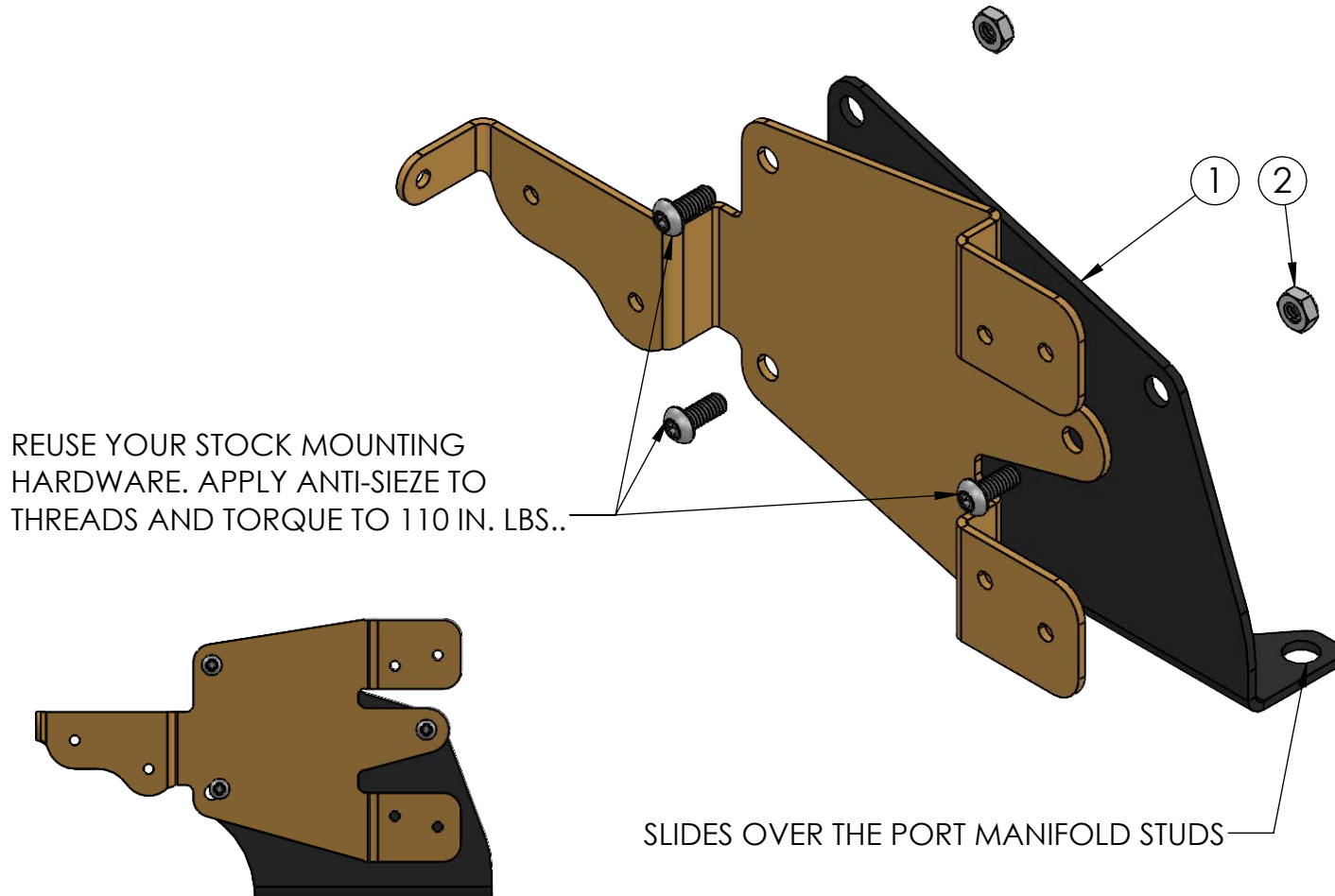
HARDIN MARINE 11 Industry Dr. Palm Coast, FL 32137
386-445-2500 / FAX 386-445-1122

PART NO.
620-38132i

ITEM NO.	PART NUMBER	DESCRIPTION	QTY.
1	620-38132	BRACKET,ECU - SEAWARD SBC DRY JOINT	1
2	90025CN-HNSS	NUT, 1/4-20 HALF LOCKING	3

TITLE:
SEAWARD SBC DRY JOINT ECU BRACKET

www.hardin-marine.com



THIS DRAWING IS CONFIDENTIAL AND IS SUPPLIED ON EXPRESS CONDITION THAT IT SHALL NOT BE LENT, COPIED OR DISCLOSED TO ANY OTHER PERSON OR USED FOR ANY OTHER PURPOSE WITHOUT WRITTEN CONSENT OF HARDIN MARINE INC.. BREACH OF THIS CONTRACT WILL HOLD AND IT'S PRINCIPALS LIABLE FOR LOSS AND DAMAGES.

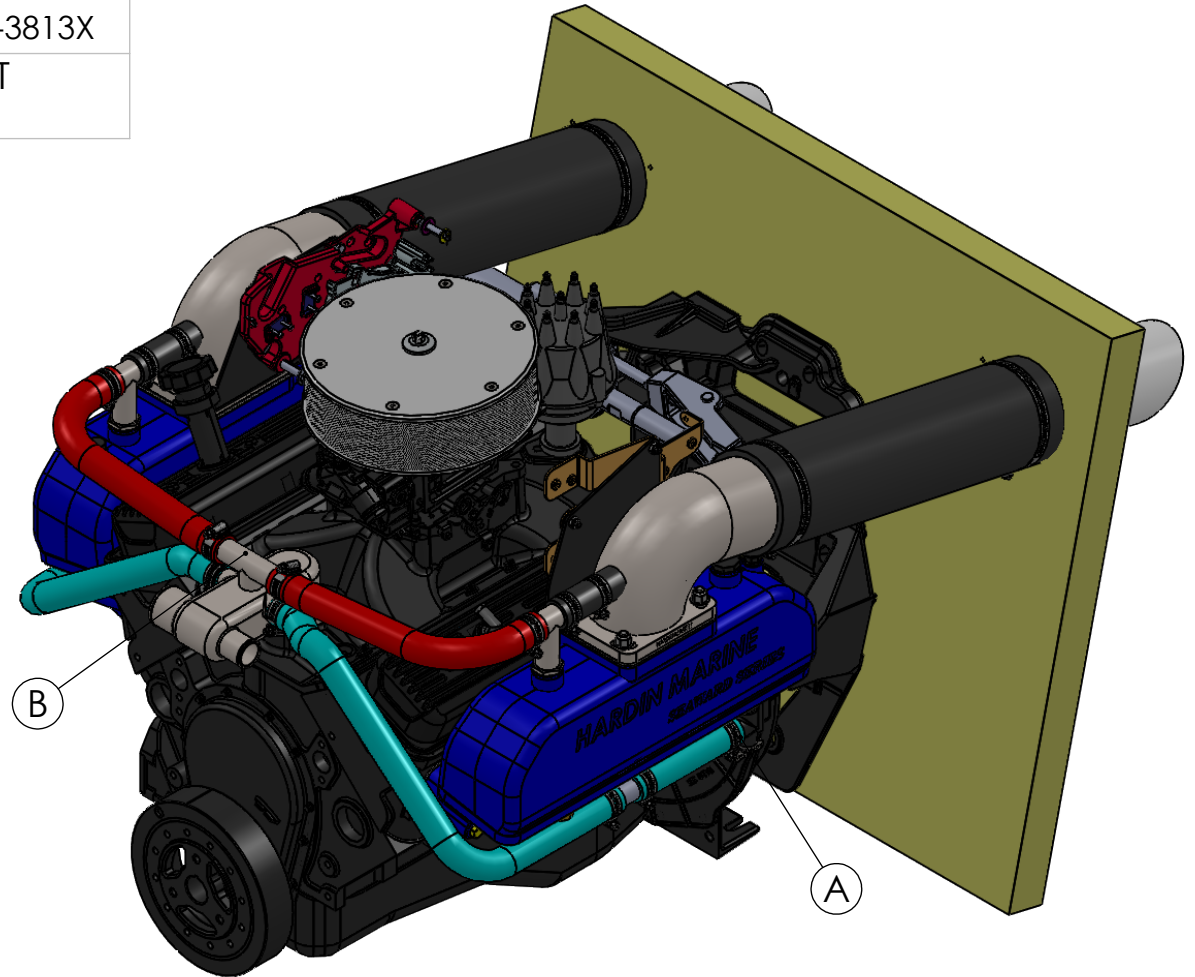
HARDIN
MARINE

11 Industry Dr. Palm Coast, FL 32137
386-445-2500 / FAX 386-445-1122

PART NO.
620-3813X

TITLE: SEAWARD SBC DRY JOINT EXHAUST
SYSTEM - FRESH WATER PLUMBING

www.hardin-marine.com



NOTES AND INSTALLATION INSTRUCTIONS:

- 1) FOR MERCURY 2005 + WITH 14 DEGREE RISER.
- 2) PLUMBING SHOWN FOR ALFA/BRAVO SINGLE, 3 POINT AND 7 POINT DRAIN SYSTEMS. YOU WILL NEED TO REUSE YOUR ORIGINAL MERCURY INLET FITTING.
- 3) YOUR STOCK HOSES CAN BE REUSED. WE SUPPLY 18" OF 1" WATER HOSE, HOSE SPLICE AND CLAMPS TO MOVE YOUR ORIGINAL MERCURY FITTING TO THE REAR INLET ON THE BOTTOM OF THE MANIFOLDS, FIG. A.
- 4) SOME MODELS THE TEE THAT THE RED LINES CONNECT TO IS NOT ON TOP OF THE THERMOSTAT HOUSING, FIG. B.
- 6) SEAWARD MANIFOLDS AND RISERS REQUIRE CONSTANT FLOW OF COOLING WATER.

THIS DRAWING IS CONFIDENTIAL AND IS SUPPLIED ON EXPRESS CONDITION THAT IT SHALL NOT BE LENT, COPIED OR DISCLOSED TO ANY OTHER PERSON OR USED FOR ANY OTHER PURPOSE WITHOUT WRITTEN CONSENT OF HARDIN MARINE INC.. BREACH OF THIS CONTRACT WILL HOLD AND IT'S PRINCIPALS LIABLE FOR LOSS AND DAMAGES.

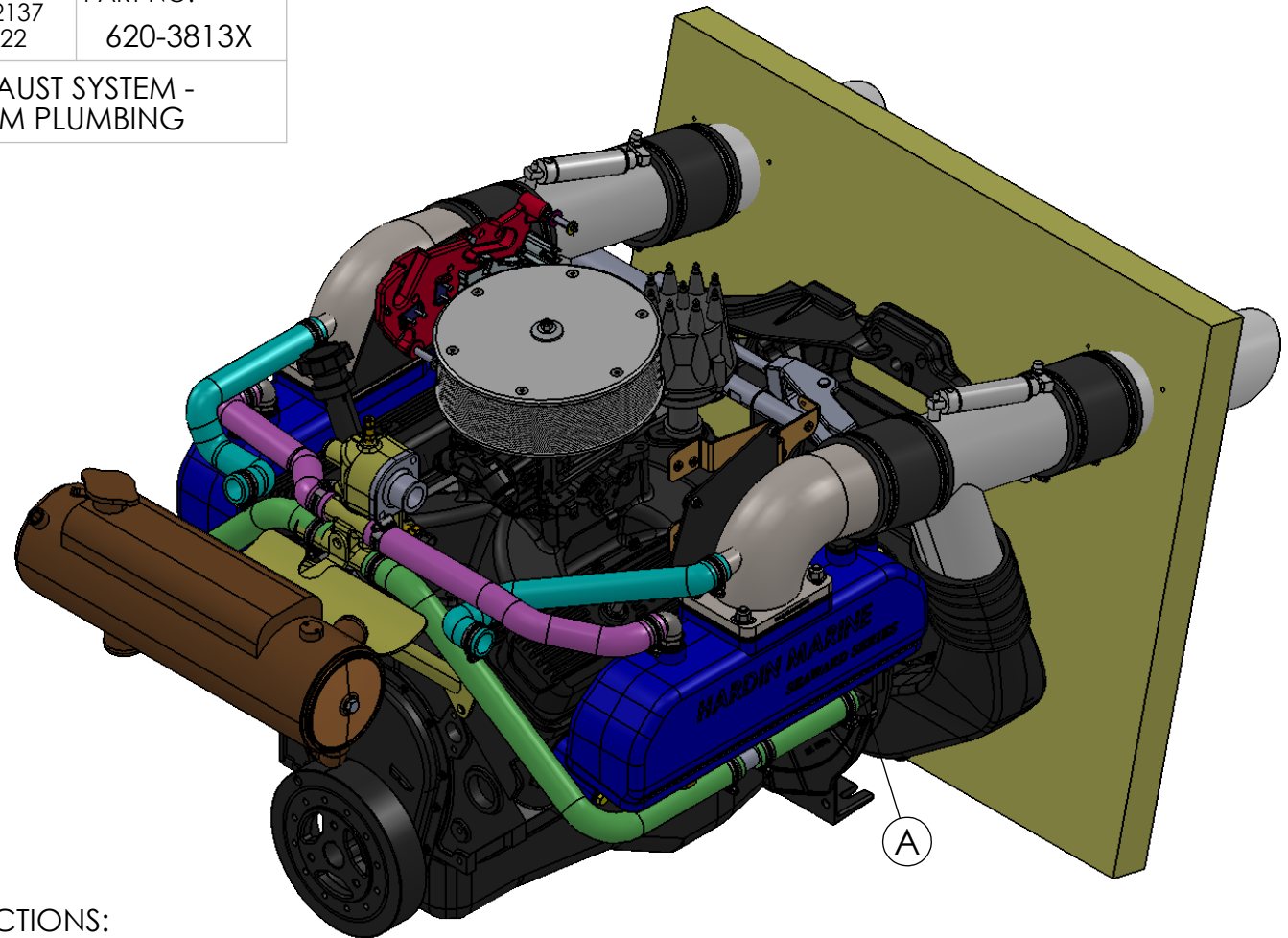
HARDIN
MARINE

11 Industry Dr. Palm Coast, FL 32137
386-445-2500 / FAX 386-445-1122

PART NO.
620-3813X

TITLE: SEAWARD SBC DRY JOINT EXHAUST SYSTEM -
CLOSED COOLING FULL SYSTEM PLUMBING

www.hardin-marine.com



NOTES AND INSTALLATION INSTRUCTIONS:

- 1) FOR MERCURY 2005 + WITH 14 DEGREE RISER AND CLOSED COOLING FULL SYSTEM.
- 2) PLUMBING SHOWN FOR ALFA/BRAVO SINGLE, 3 POINT AND 7 POINT DRAIN SYSTEMS. YOU WILL NEED TO REUSE YOUR ORIGINAL MERCURY INLET FITTINGS.
- 3) YOUR STOCK HOSES CAN BE REUSED. WE SUPPLY 18" OF 1" WATER HOSE, HOSE SPLICE AND CLAMPS TO MOVE YOUR ORIGINAL MERCURY FITTING TO THE REAR INLET ON THE BOTTOM OF THE MANIFOLDS, FIG. A.
- 4) FOR PICTURE PURPOSES, HEAT EXCHANGER NOT SHOWN IN STOCK POSITION.
- 5) COOLANT COMES OUT OF THE BOTTOM OF THE THERMOSTAT HOUSING AND GOES INTO THE REAR INLET ON BOTTOM OF THE MANIFOLDS. HOSES SHOWN IN LIGHT GREEN.
- 6) COOLANT COMES OUT OF THE MANIFOLDS AND RETURNS BACK TO THE THERMOSTAT HOUSING. HOSES SHOWN IN VIOLET.
- 7) FRESH WATER EXITS THE HEAT EXCHANGER AND GOES INTO THE RISERS. HOSES SHOWN AS TEAL.
- 8) SEAWARD MANIFOLDS AND RISES REQUIRE CONSTANT FLOW OF COOLING.

THIS DRAWING IS CONFIDENTIAL AND IS SUPPLIED ON EXPRESS CONDITION THAT IT SHALL NOT BE LENT, COPIED OR DISCLOSED TO ANY OTHER PERSON OR USED FOR ANY OTHER PURPOSE WITHOUT WRITTEN CONSENT OF HARDIN MARINE INC.. BREACH OF THIS CONTRACT WILL HOLD AND IT'S PRINCIPALS LIABLE FOR LOSS AND DAMAGES.

HARDIN
MARINE

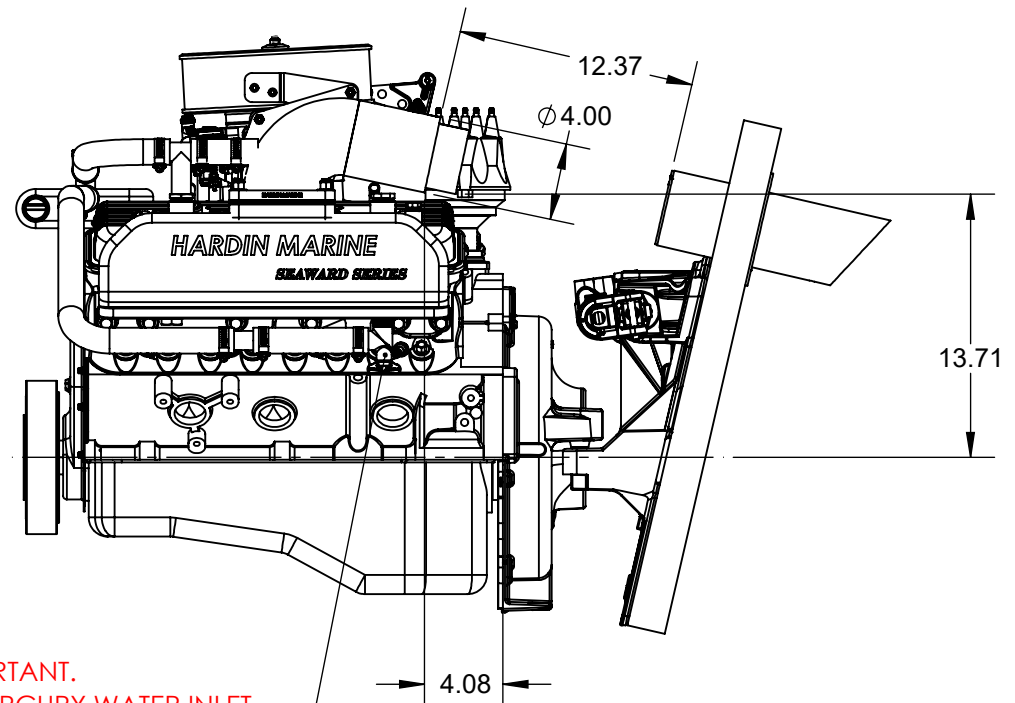
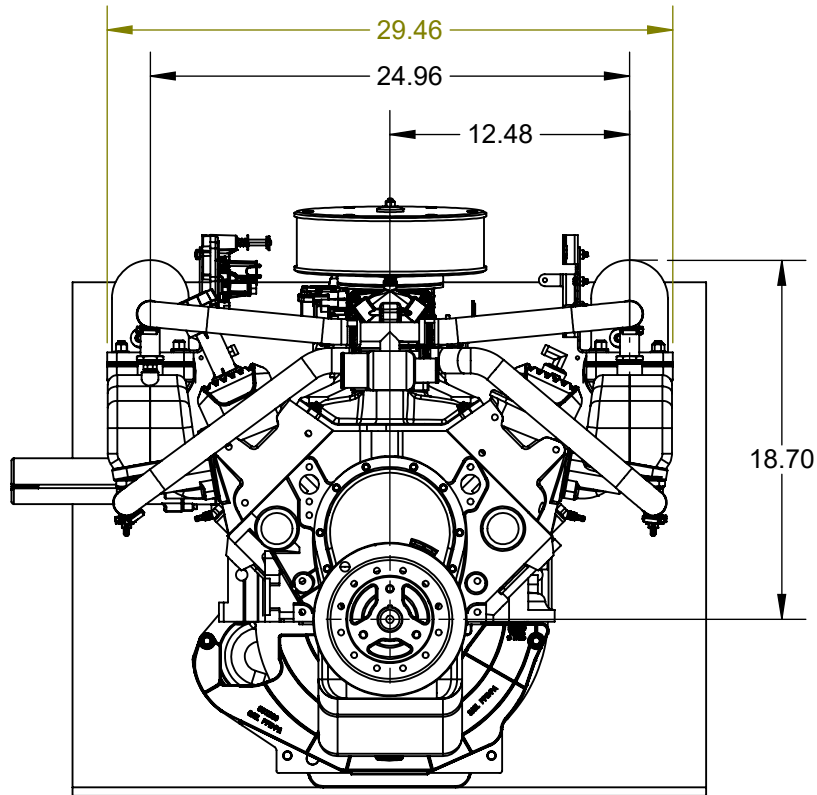
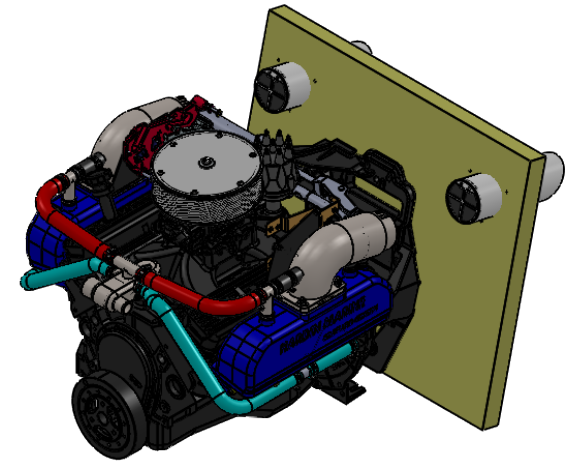
11 Industry Dr. Palm Coast, FL 32137
386-445-2500 / FAX 386-445-1122

PART NO.
620-38135

TITLE: SEAWARD SBC DRY JOINT EXHAUST
SYSTEM w/ STD HEIGHT RISER

www.hardin-marine.com

FOR MERCURY 2005 + WITH 14 DEGREE RISER



**EXTREMELY IMPORTANT.
THE ORIGINAL MERCURY WATER INLET
MUST GO INTO THE REAR OF THE
MANIFOLD FOR PROPER COOLING.**

THIS DRAWING IS CONFIDENTIAL AND IS SUPPLIED ON EXPRESS CONDITION THAT IT SHALL NOT BE LENT, COPIED OR DISCLOSED TO ANY OTHER PERSON OR USED FOR ANY OTHER PURPOSE WITHOUT WRITTEN CONSENT OF HARDIN MARINE INC.. BREACH OF THIS CONTRACT WILL HOLD AND IT'S PRINCIPALS LIABLE FOR LOSS AND DAMAGES.

HARDIN
MARINE

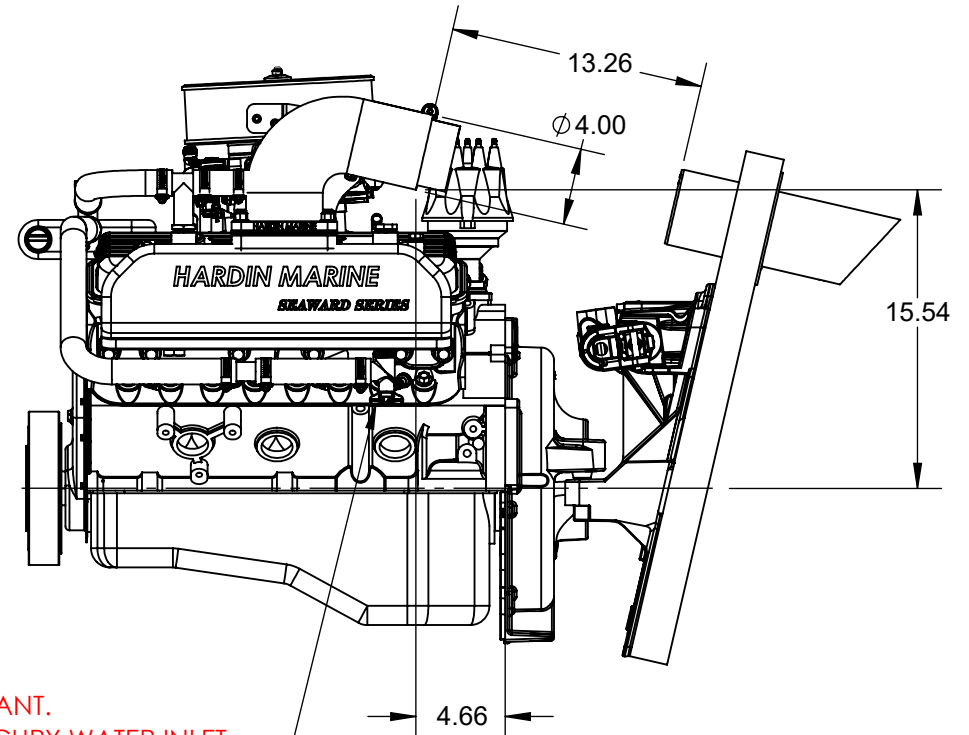
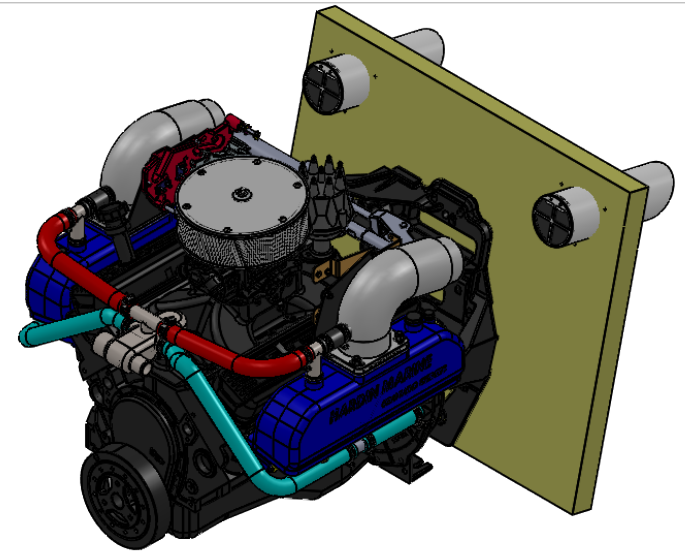
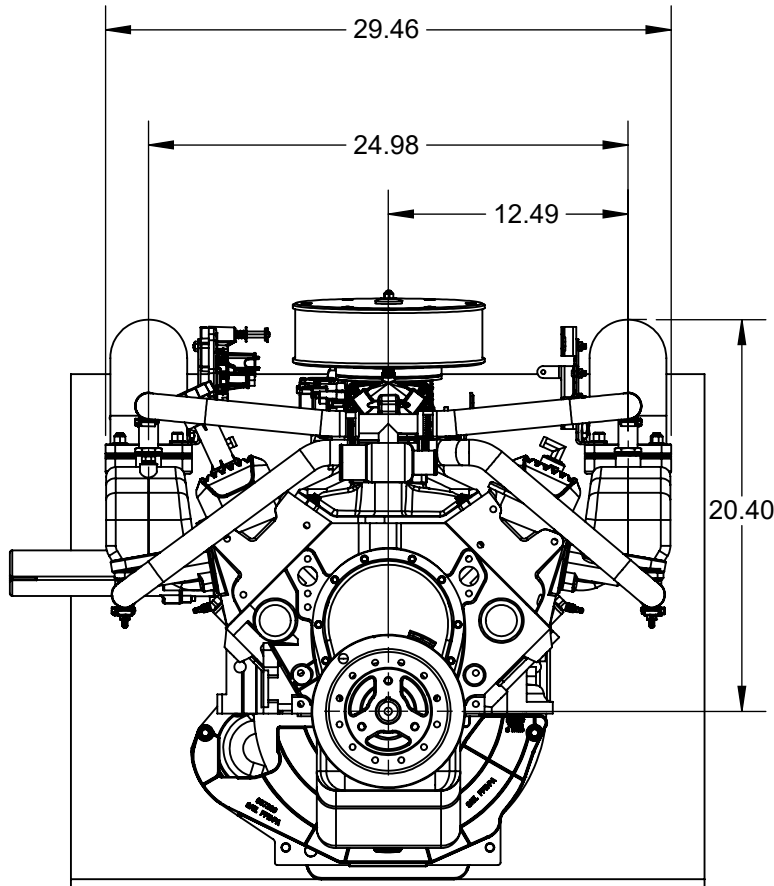
11 Industry Dr. Palm Coast, FL 32137
386-445-2500 / FAX 386-445-1122

PART NO.
620-38136

TITLE: SEAWARD SBC DRY JOINT EXHAUST
SYSTEM w/ +1.7 HEIGHT RISER

www.hardin-marine.com

FOR MERCURY 2005 + WITH 14 DEGREE RISER



**EXTREMELY IMPORTANT.
THE ORIGINAL MERCURY WATER INLET
MUST GO INTO THE REAR OF THE
MANIFOLD FOR PROPER COOLING.**

THIS DRAWING IS CONFIDENTIAL AND IS SUPPLIED ON EXPRESS CONDITION THAT IT SHALL NOT BE LENT, COPIED OR DISCLOSED TO ANY OTHER PERSON OR USED FOR ANY OTHER PURPOSE WITHOUT WRITTEN CONSENT OF HARDIN MARINE INC.. BREACH OF THIS CONTRACT WILL HOLD AND IT'S PRINCIPALS LIABLE FOR LOSS AND DAMAGES.

HARDIN
MARINE

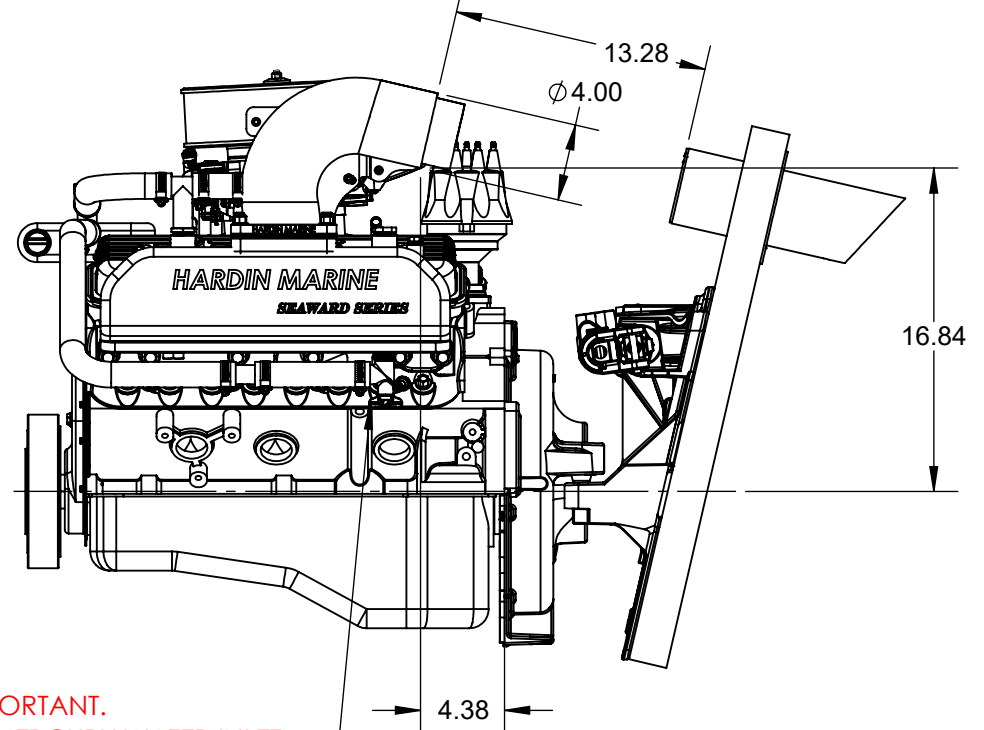
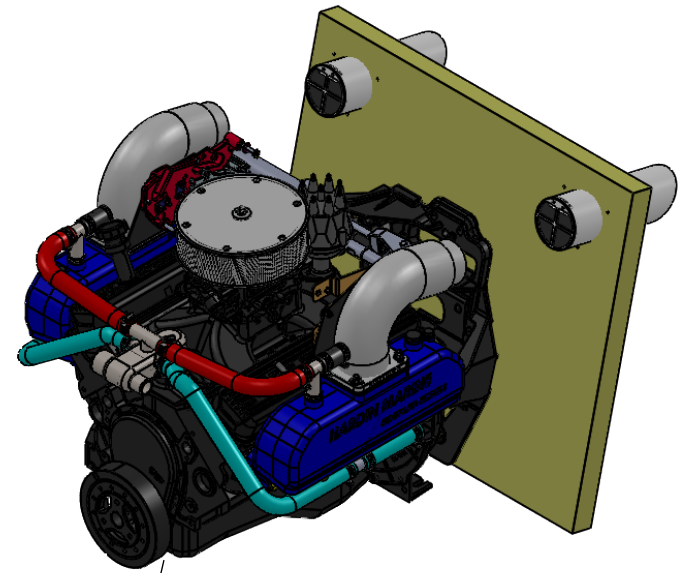
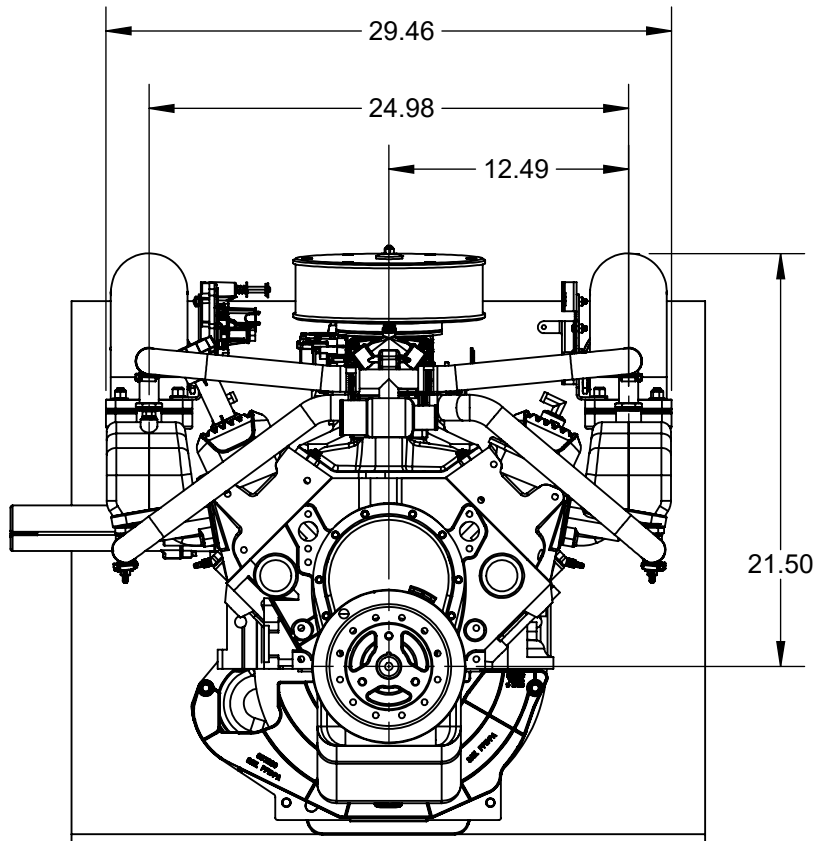
11 Industry Dr. Palm Coast, FL 32137
386-445-2500 / FAX 386-445-1122

PART NO.
620-38137

TITLE: SEAWARD SBC DRY JOINT EXHAUST
SYSTEM w/ +3.0 HEIGHT RISER

www.hardin-marine.com

FOR MERCURY 2005 + WITH 14 DEGREE RISER



**EXTREMELY IMPORTANT.
THE ORIGINAL MERCURY WATER INLET
MUST GO INTO THE REAR OF THE
MANIFOLD FOR PROPER COOLING.**

HARDIN
MARINE

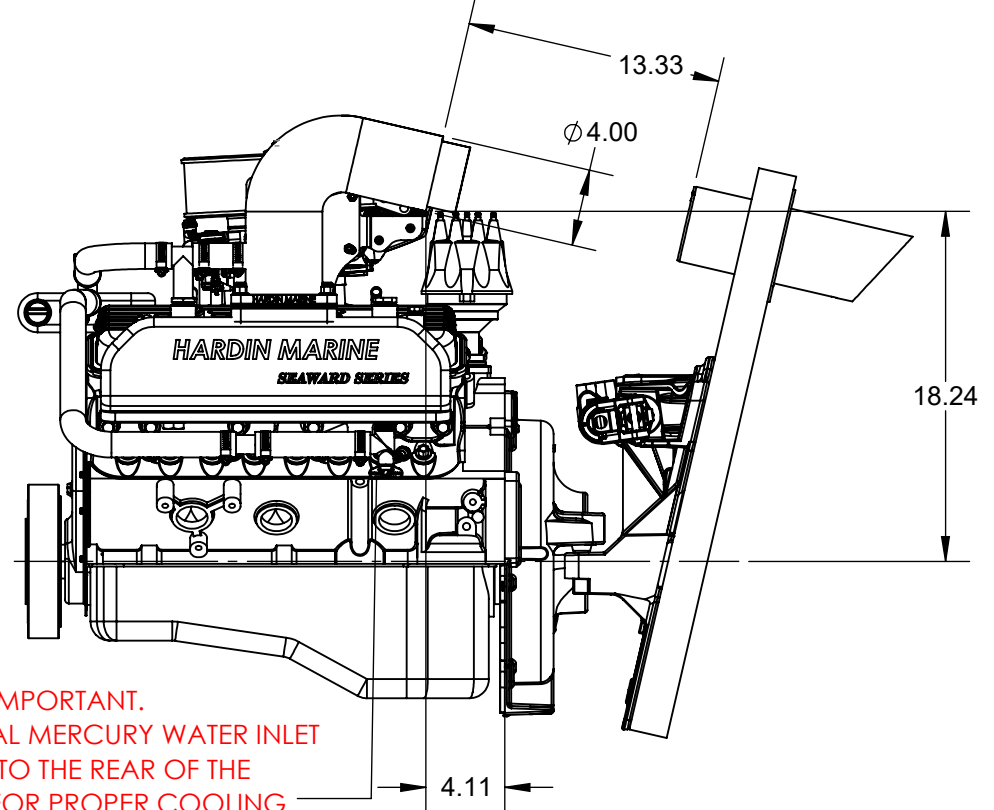
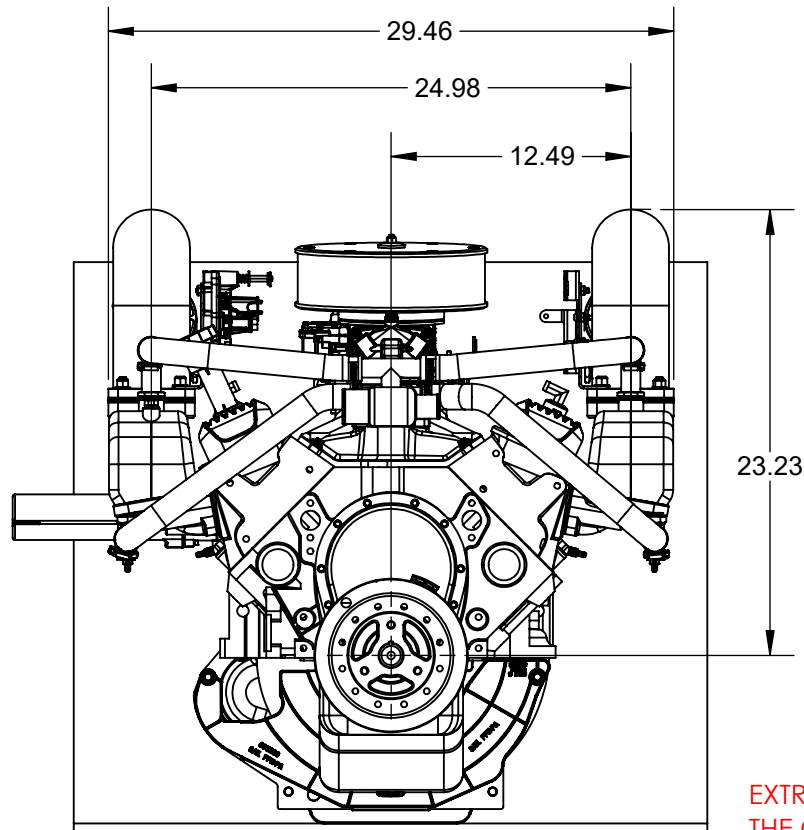
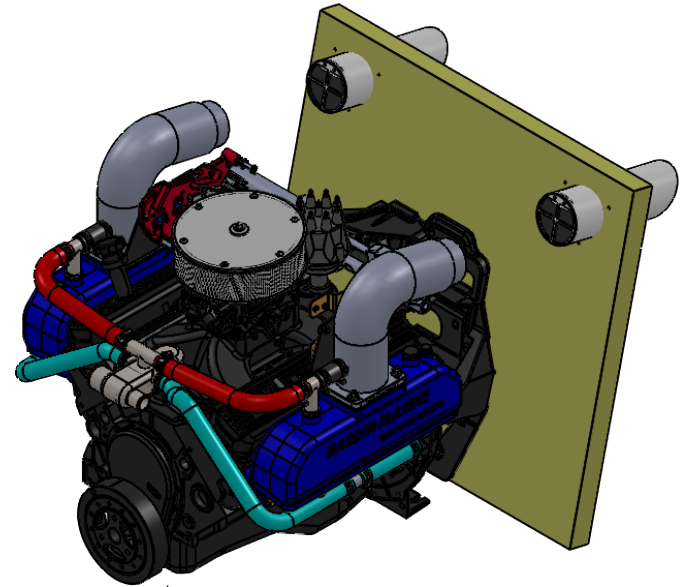
11 Industry Dr. Palm Coast, FL 32137
386-445-2500 / FAX 386-445-1122

PART NO.
620-38138

TITLE: SEAWARD SBC DRY JOINT EXHAUST
SYSTEM w/ +4.7 HEIGHT RISER

www.hardin-marine.com

FOR MERCURY 2005 + WITH 14 DEGREE RISER



EXTREMELY IMPORTANT.
THE ORIGINAL MERCURY WATER INLET
MUST GO INTO THE REAR OF THE
MANIFOLD FOR PROPER COOLING.

THIS DRAWING IS CONFIDENTIAL AND IS SUPPLIED ON EXPRESS CONDITION THAT IT SHALL NOT BE LENT, COPIED OR DISCLOSED TO ANY OTHER PERSON OR USED FOR ANY OTHER PURPOSE WITHOUT WRITTEN CONSENT OF HARDIN MARINE INC.. BREACH OF THIS CONTRACT WILL HOLD AND IT'S PRINCIPALS LIABLE FOR LOSS AND DAMAGES.

HARDIN
MARINE

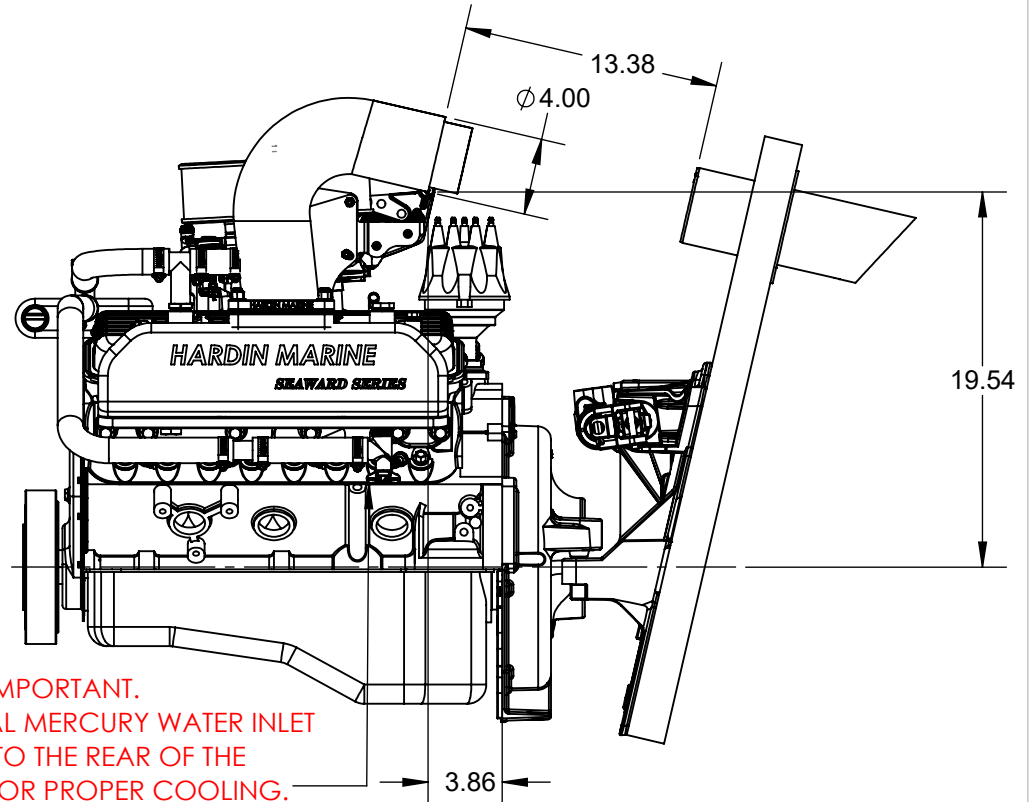
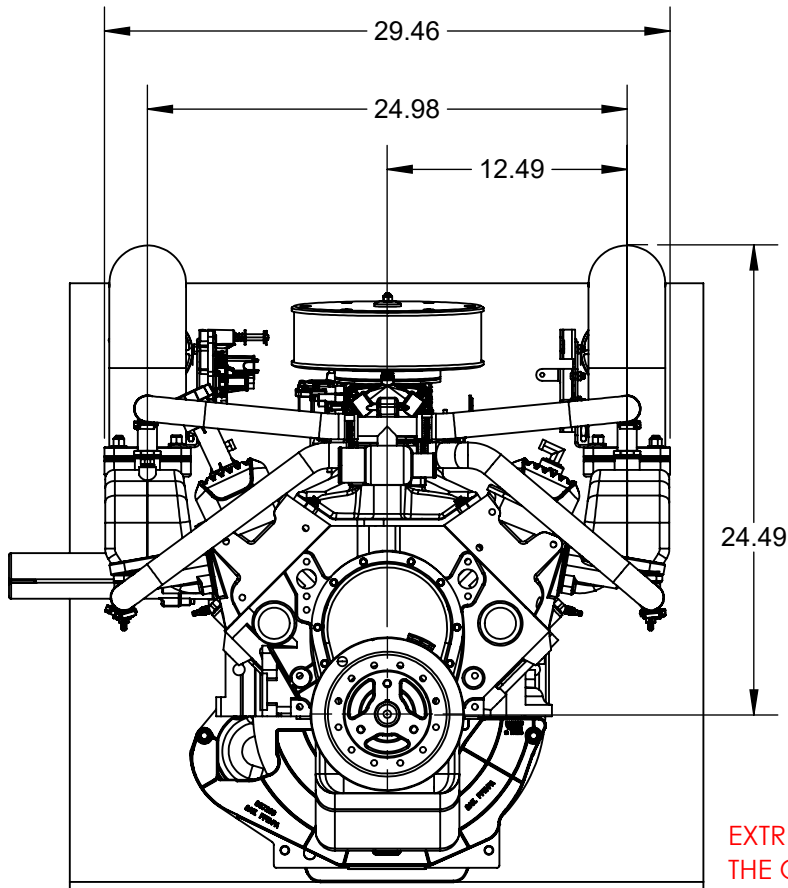
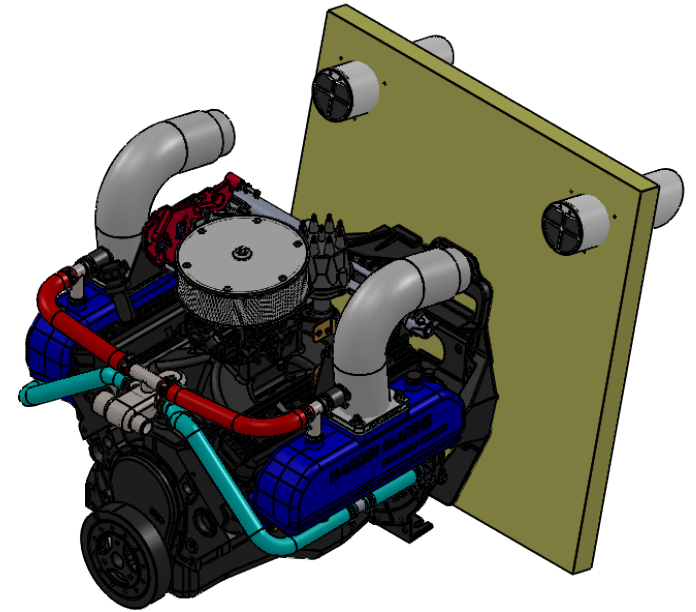
11 Industry Dr. Palm Coast, FL 32137
386-445-2500 / FAX 386-445-1122

PART NO.
620-38139

TITLE: SEAWARD SBC DRY JOINT EXHAUST
SYSTEM w/ +6.0 HEIGHT RISER

www.hardin-marine.com

FOR MERCURY 2005 + WITH 14 DEGREE RISER



THIS DRAWING IS CONFIDENTIAL AND IS SUPPLIED ON EXPRESS CONDITION THAT IT SHALL NOT BE LENT, COPIED OR DISCLOSED TO ANY OTHER PERSON OR USED FOR ANY OTHER PURPOSE WITHOUT WRITTEN CONSENT OF HARDIN MARINE INC.. BREACH OF THIS CONTRACT WILL HOLD AND IT'S PRINCIPALS LIABLE FOR LOSS AND DAMAGES.