

**HARDIN
MARINE**

11 Industry Dr. Palm Coast, FL 32137
386-445-2500 / FAX 386-445-1122

PART NO.
620-38112

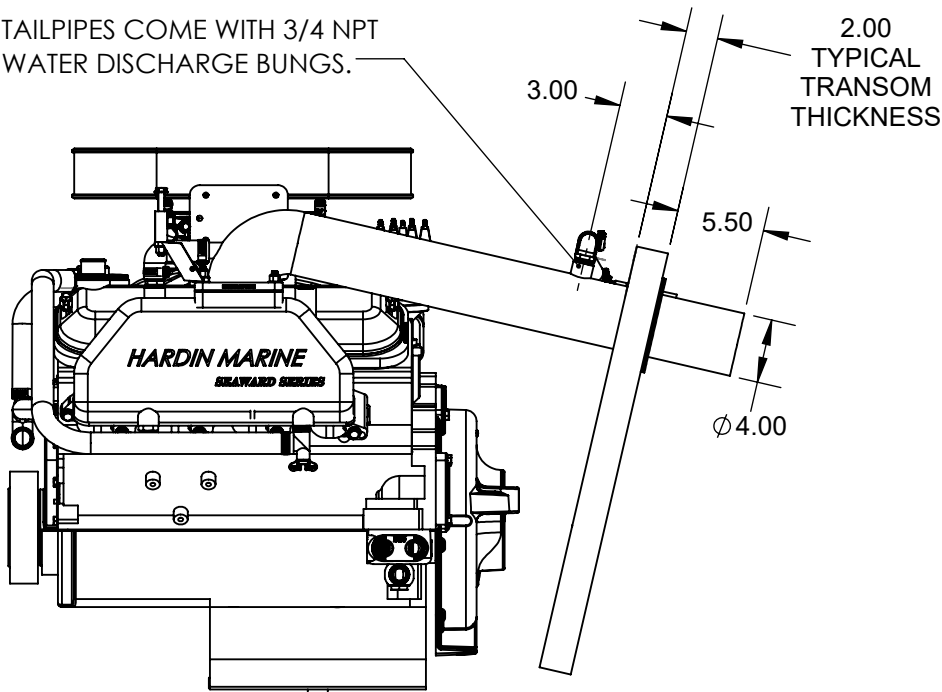
TITLE:

SEAWARD STD. BRAVO DRY TAILPIPES

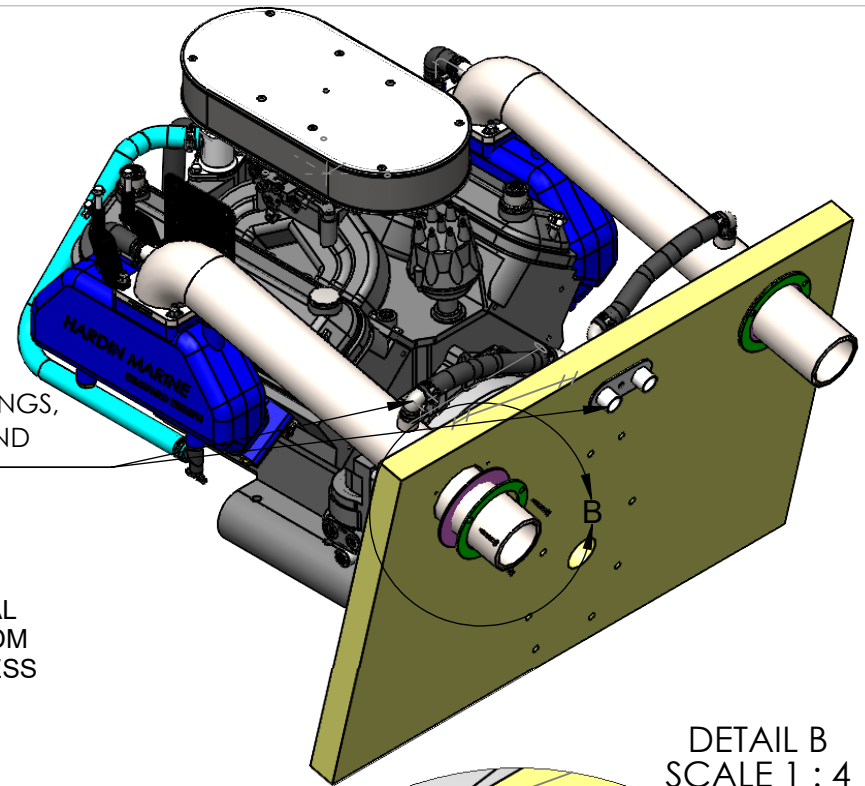
www.hardin-marine.com

WATER DISCHARGED SHOWN USING 540-222120 3/4NPT x 1" BARB FITTINGS, 420-907040 DUAL 3/4 NPT DISCHARGE DUMP, 100-100-1004 1" HOSE AND 100-720-1000 HOSE CLAMPS. THESE PARTS ARE SOLD SEPARATELY.

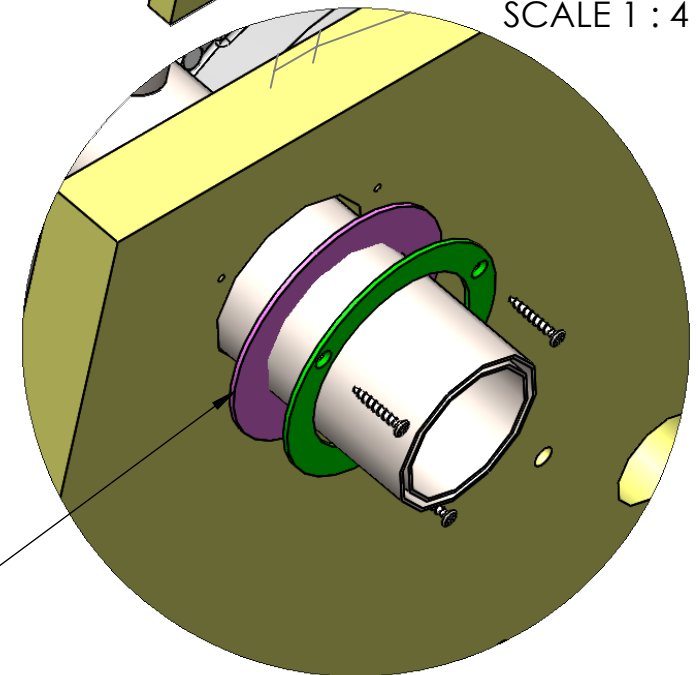
TAILPIPES COME WITH 3/4 NPT WATER DISCHARGE BUNGS.



DRY TAILPIPES REQUIRE THE USE OF 620-906700 TRIM RINGS AND SEALS TO SEAL THE OUTSIDE OF THE TAILPIPE TO THE TRANSOM. SHOWN USING #10 x 1-1/2 WOOD SCREWS. THESE PARTS ARE SOLD SEPARATELY.



DETAIL B
SCALE 1 : 4



THIS DRAWING IS CONFIDENTIAL AND IS SUPPLIED ON EXPRESS CONDITION THAT IT SHALL NOT BE LENT, COPIED OR DISCLOSED TO ANY OTHER PERSON OR USED FOR ANY OTHER PURPOSE WITHOUT WRITTEN CONSENT OF HARDIN MARINE INC.. BREACH OF THIS CONTRACT WILL HOLD AND IT'S PRINCIPALS LIABLE FOR LOSS AND DAMAGES.

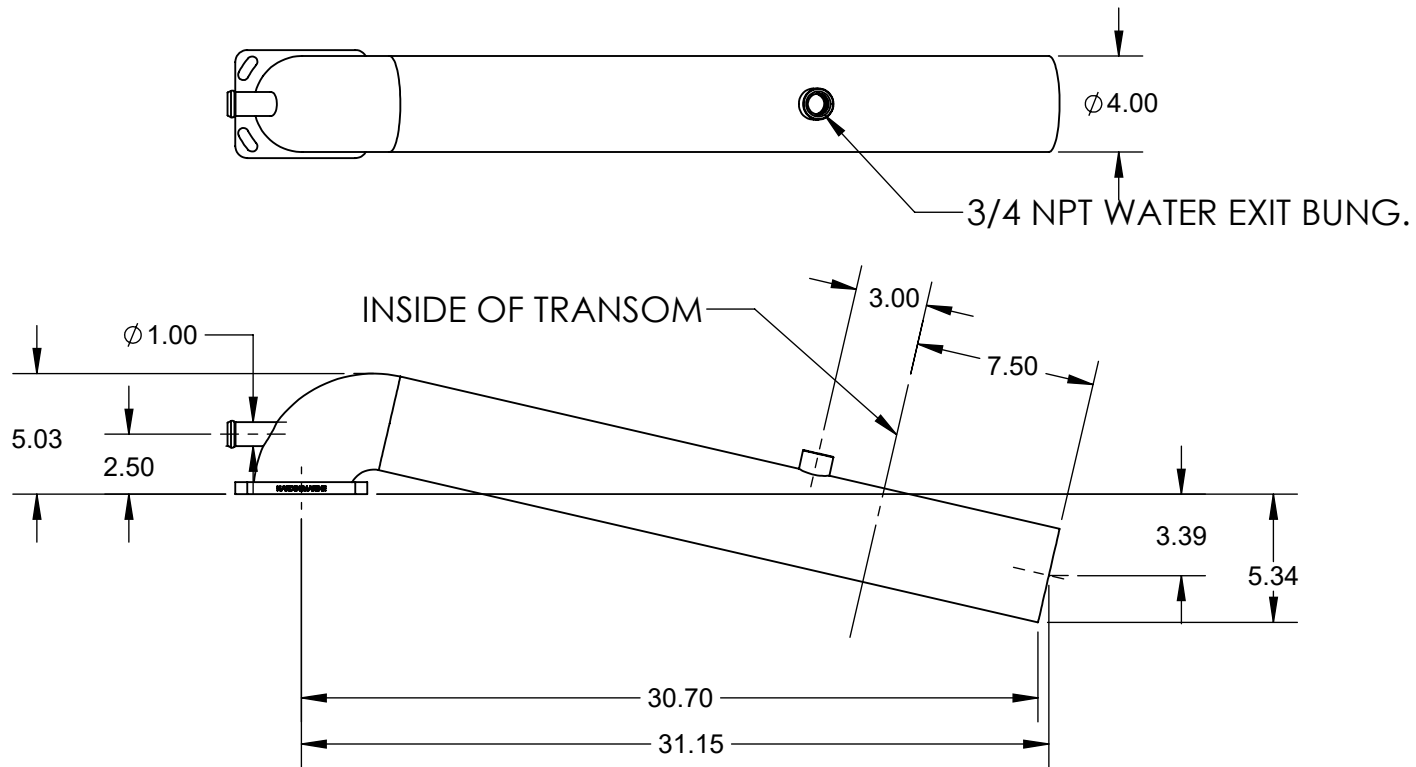
HARDIN MARINE 11 Industry Dr. Palm Coast, FL 32137
386-445-2500 / FAX 386-445-1122

PART NO.
620-38110

TITLE:

SEAWARD STD. BRAVO DRY TAILIPES

www.hardin-marine.com



THIS DRAWING IS CONFIDENTIAL AND IS SUPPLIED ON EXPRESS CONDITION THAT IT SHALL NOT BE LENT, COPIED OR DISCLOSED TO ANY OTHER PERSON OR USED FOR ANY OTHER PURPOSE WITHOUT WRITTEN CONSENT OF HARDIN MARINE INC.. BREACH OF THIS CONTRACT WILL HOLD AND IT'S PRINCIPALS LIABLE FOR LOSS AND DAMAGES.