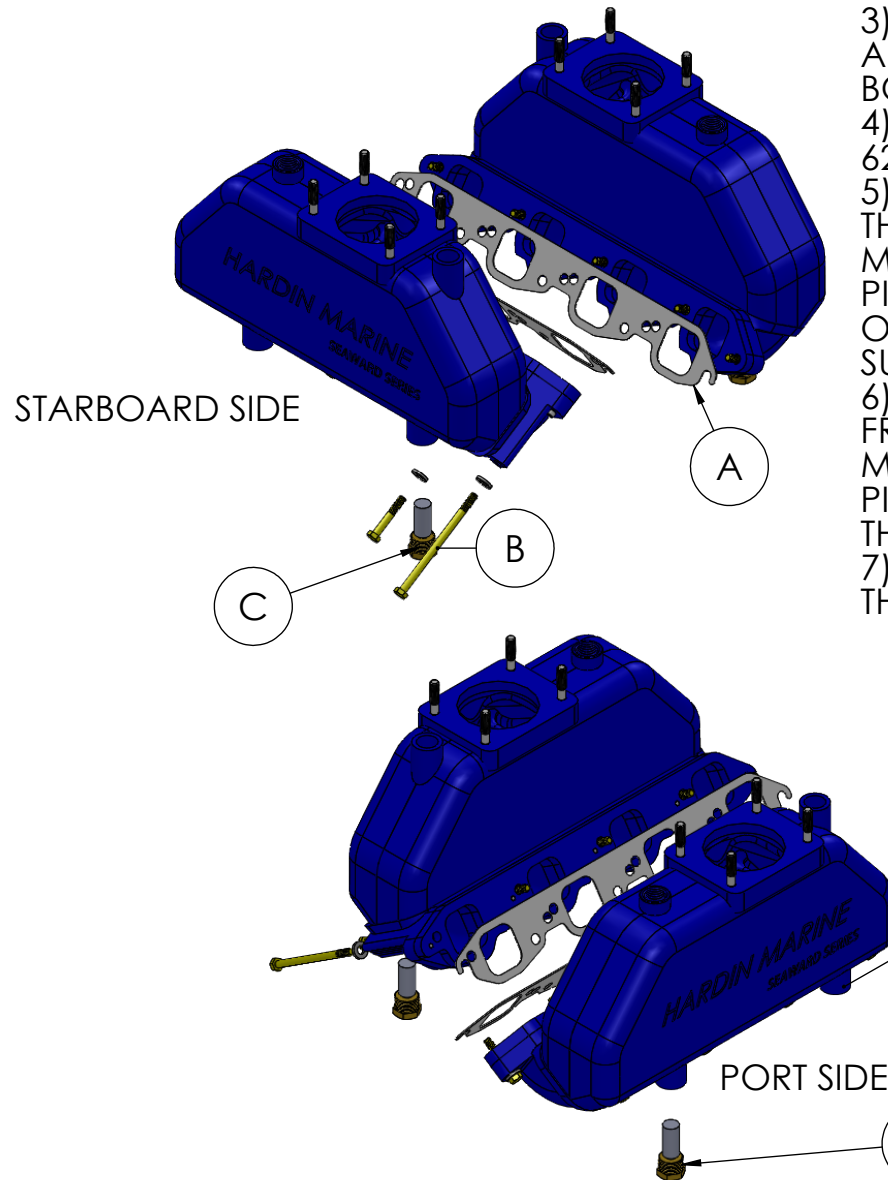


HARDIN MARINE 11 Industry Dr. Palm Coast, FL 32137  
386-445-2500 / FAX 386-445-1122

PART NO.  
620-38060

TITLE:  
SEAWARD 496 MANIFOLD INSTALLATION

www.hardin-marine.com



#### INSTALLATION INSTRUCTIONS:

- 1) MAKE SURE CYLINDER HEAD EXHAUST MOUNTING SURFACE IS FREE OF KNICKS AND ANY OLD GASKET MATERIAL IS REMOVED. SEALANT IS NOT REQUIRED ON THE 300-1413 GASKETS. FIG. A.
- 2) THE PORT AND STARBOARD MANIFOLDS ARE THE SAME PART AND CAN BE USED ON EITHER SIDE OF THE ENGINE.
- 3) INSTALL MANIFOLDS WITH THE SUPPLIED 8MM BOLTS AND WASHERS. APPLY ANTI-SIEZE TO 8MM MOUNTING BOLTS, FIG.B . TORQUE TO 20 FT. LBS..
- 4) APPLY LIQUID PIPE THREAD SEALANT TO THE SUPPLIED 625-2086 3/4 NPT PIPE PLUGS.
- 5) FIG. C SHOWS STARBOARD SIDE ANODE GOES INTO THE FRONT OF THE MANIFOLD. REMOVE YOUR ORIGINAL MERCURY FITTING AND INSTALL INTO THE REAR PORT. SEE PICTURES 9 & 10 THAT SHOWS HOW TO CUT YOUR ORIGINAL HOSE AND INSTALL THE HOSE EXTENSION WE SUPPLY.
- 6) FIG. D SHOWS PORT SIDE ANODE GOES INTO THE FRONT OF THE MANIFOLD. REMOVE YOUR ORIGINAL MERCURY FITTING AND INSTALL IN THE REAR PORT. SEE PICTURES 7,8 & 14 THAT SHOWSHOW TO CUT AND INSTALL THE DUMP VALVE HOSE EXTENSION.
- 7) GO TO 620-38087 TAILPIPE INSTRUCTIONS TO CONTINUE THE INSTALLATION.

**CAUTION\*\* HARDIN MARINE MANIFOLD SYSTEMS ARE DESIGNED FOR USE ON ENGINES WITH FULL TIME CONSTANT WATER CIRCULATION AT ALL TIMES. NOTE\*\* AFTER APPROXIMATELY 2-5 HOURS USE OR NUMEROUS ENGINE HEAT CYCLES ALL HARDWARE MUST BE RETORQUED AND OR TIGHTENED.**

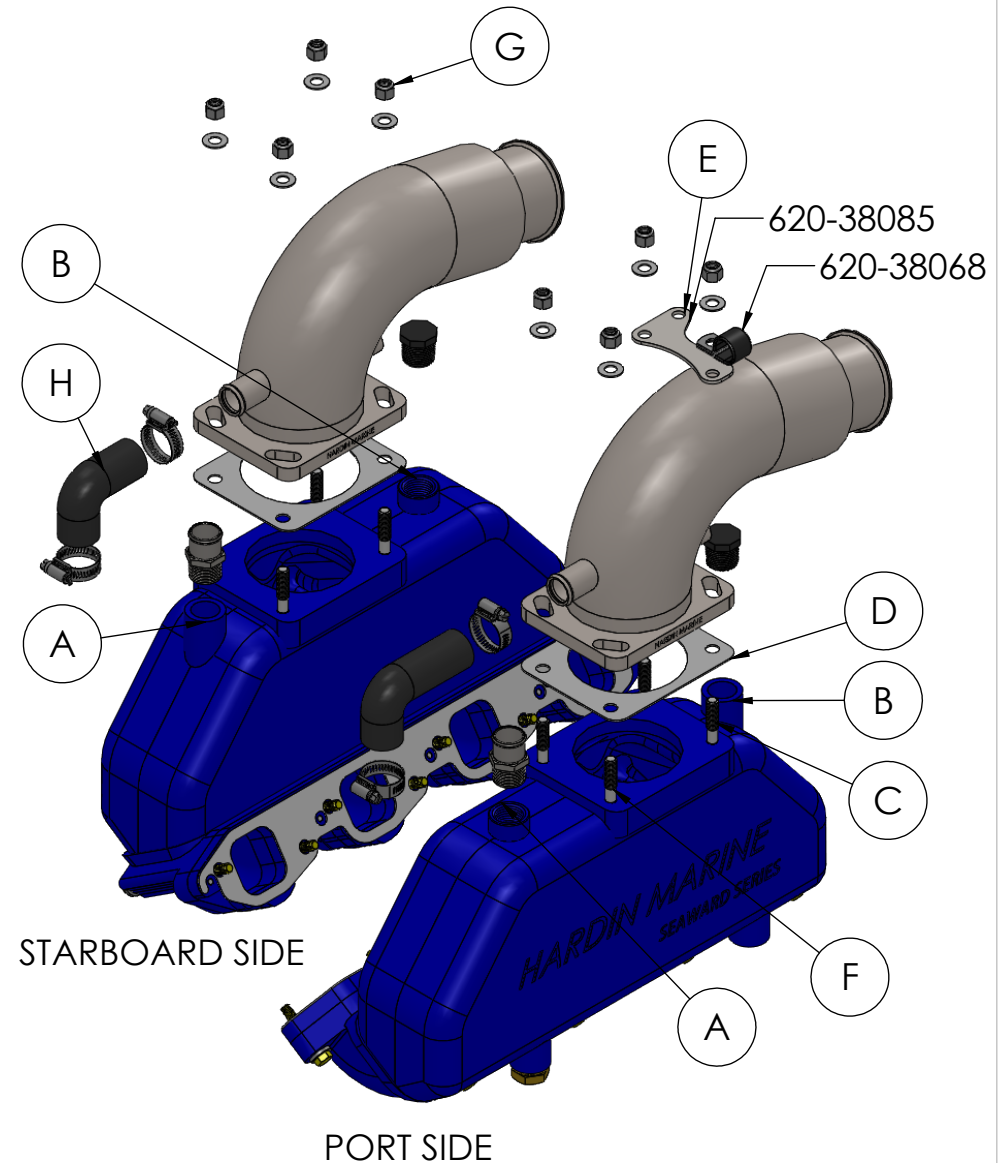
**CAUTION:**  
MAKE SURE TO INSTALL THE FACTORY MERCURY FITTING INTO THE REAR PORT OF THE MANIFOLDS ON BOTH SIDES.

TITLE:  
SEAWARD 496 RISER INSTALLATION

www.hardin-marine.com

INSTALLATION INSTRUCTIONS:

- 1) APPLY LIQUID THREAD SEALANT TO THE SUPPLIED 1" HOSE BARB FITTING & 3/4 NPT PIPE PLUGS.
- 2) INSTALL 1" HOSE BARB FITTINGS INTO FRONT OF THE MANIFOLDS, FIG. A.
- 3) INSTALL 3/4NPT PIPE PLUGS INTO THE REAR OF THE MANIFOLDS, FIG.B.
- 4) APPLY ANTI-SIEZE TO THE 8 STUDS, FIG. C.
- 5) SLIDE GASKETS OVER STUDS, FIG. D. DO NOT USE SEALANT ON THE GASKETS.
- 6) INSTALL RISERS.
- 7) ON THE PORT SIDE RISER. INSTALL 620-38085 COMPUTER ADAPTER OVER THE REAR STUDS. MAKE SURE THE 3RD HOLE IS INBOARD MOUNTED, FIG. E.
- 8) INSTALL THE 620-38068 CUSHION CLAMP OVER THE REAR OUTSIDE SIDE, FIG. C.
- 9) THE STOCK OIL FILTER BRACKET, NOT SHOWN, WILL SLIDE OVER THE PORT SIDE FRONT STUDS, FIG. F.
- 10)INSTALL WASHERS AND NUTS, FIG. G. TORQUE TO 30 FT. LBS..
- 11) INSTALL JUMPER HOSE AND HOSE CLAMPS. STARBOARD SIDE IS SHORTER HOSE, FIG. H.



**CAUTION\*\* HARDIN MARINE MANIFOLD SYSTEMS ARE DESIGNED FOR USE ON ENGINES WITH FULL TIME CONSTANT WATER CIRCULATION AT ALL TIMES.**  
**NOTE\*\* AFTER APPROXIMATELY 2-5 HOURS USE OR NUMEROUS ENGINE HEAT CYCLES ALL HARDWARE MUST BE RETORQUED AND OR TIGHTENED.**

SEE PIC#1  
SHIFT RELOCATION BRACKET  
PART NUMBER 620-38086



SEE PIC #11  
OIL FILTER ADAPTER RELOCATION BRACKET  
PART NUMBER 620-38084

SEE PIC #3  
ECU SUPPORT BRACKET  
PART NUMBER 620-38085

SEE PICTURES 7,8 & 14  
PORT SIDE DUMP VALVE  
MUST CUT HOSE TO FIT



SEE PICTURES 9 & 10

STARBOARD SIDE WATER INLET HOSE EXTENSION





SEE PICS 4,5 & 6

ATTACHED TO PORT SIDE MANIFOLD REAR OUTBOARD STUD  
OIL FILTER ADAPTER TO OIL BLOCK OFF ADAPTER

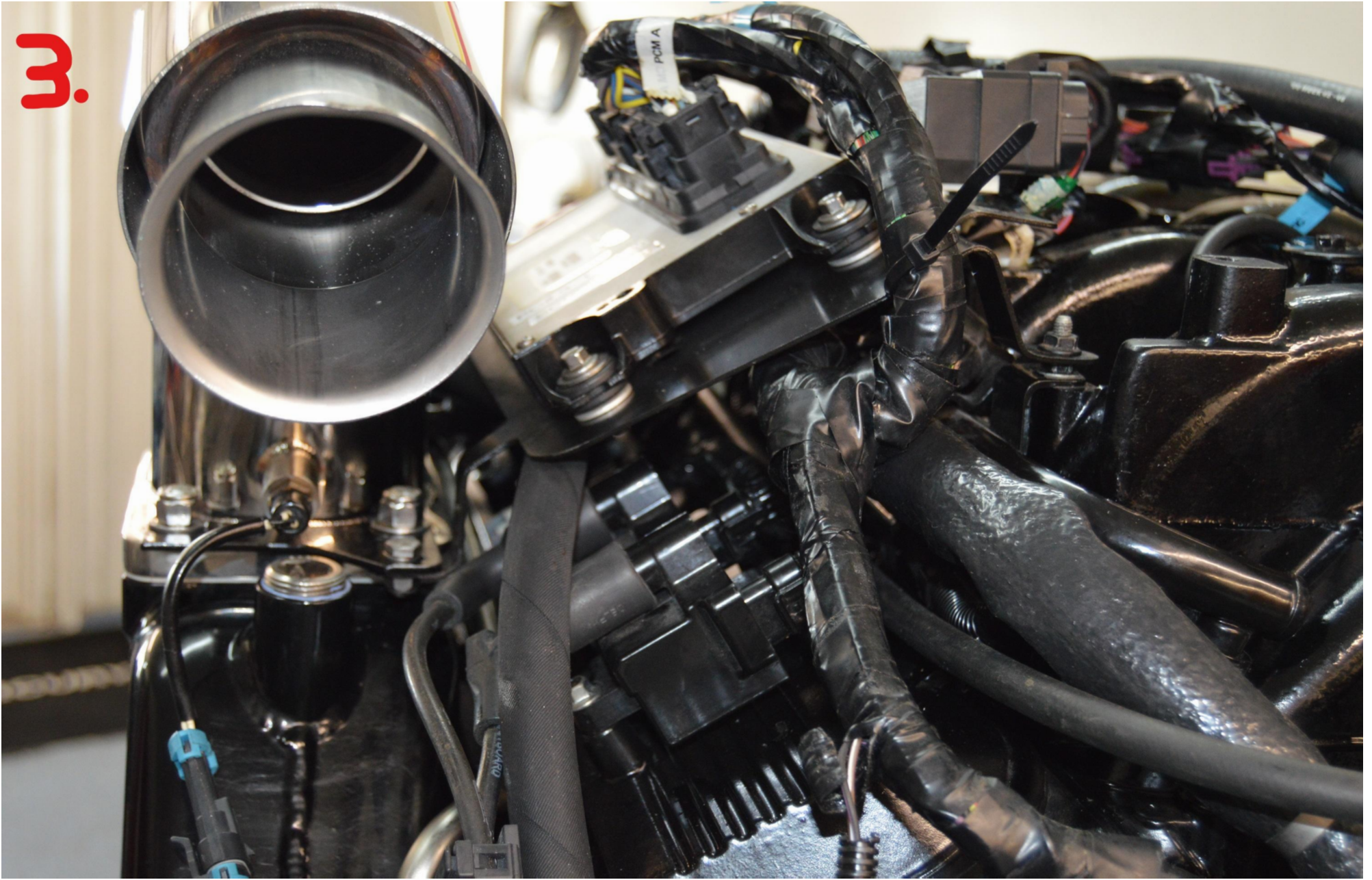
1.

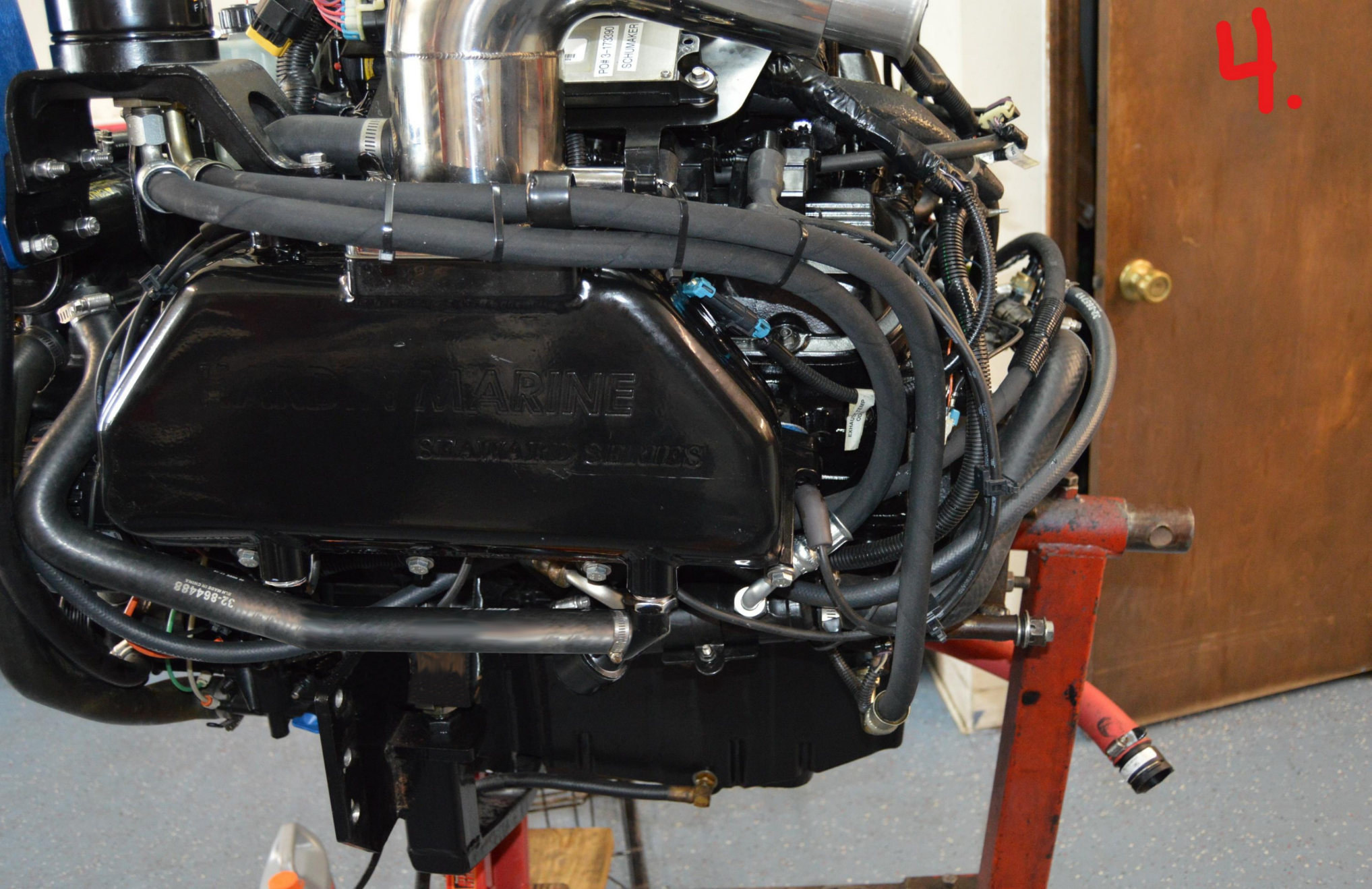






3.





POH 3-17350  
SCHUMAKER

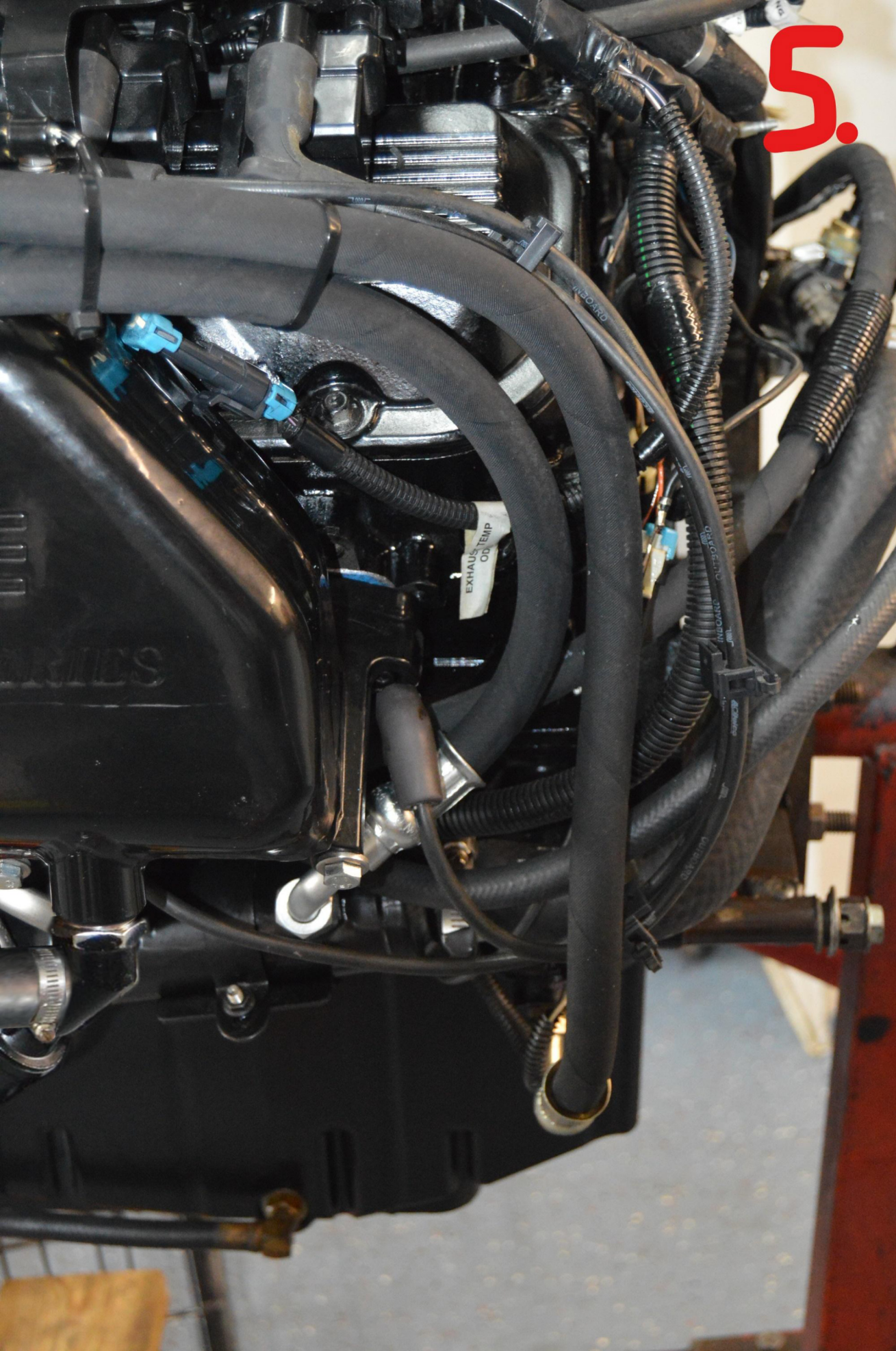
VOLVO MARINE  
SPAWARD SERIES

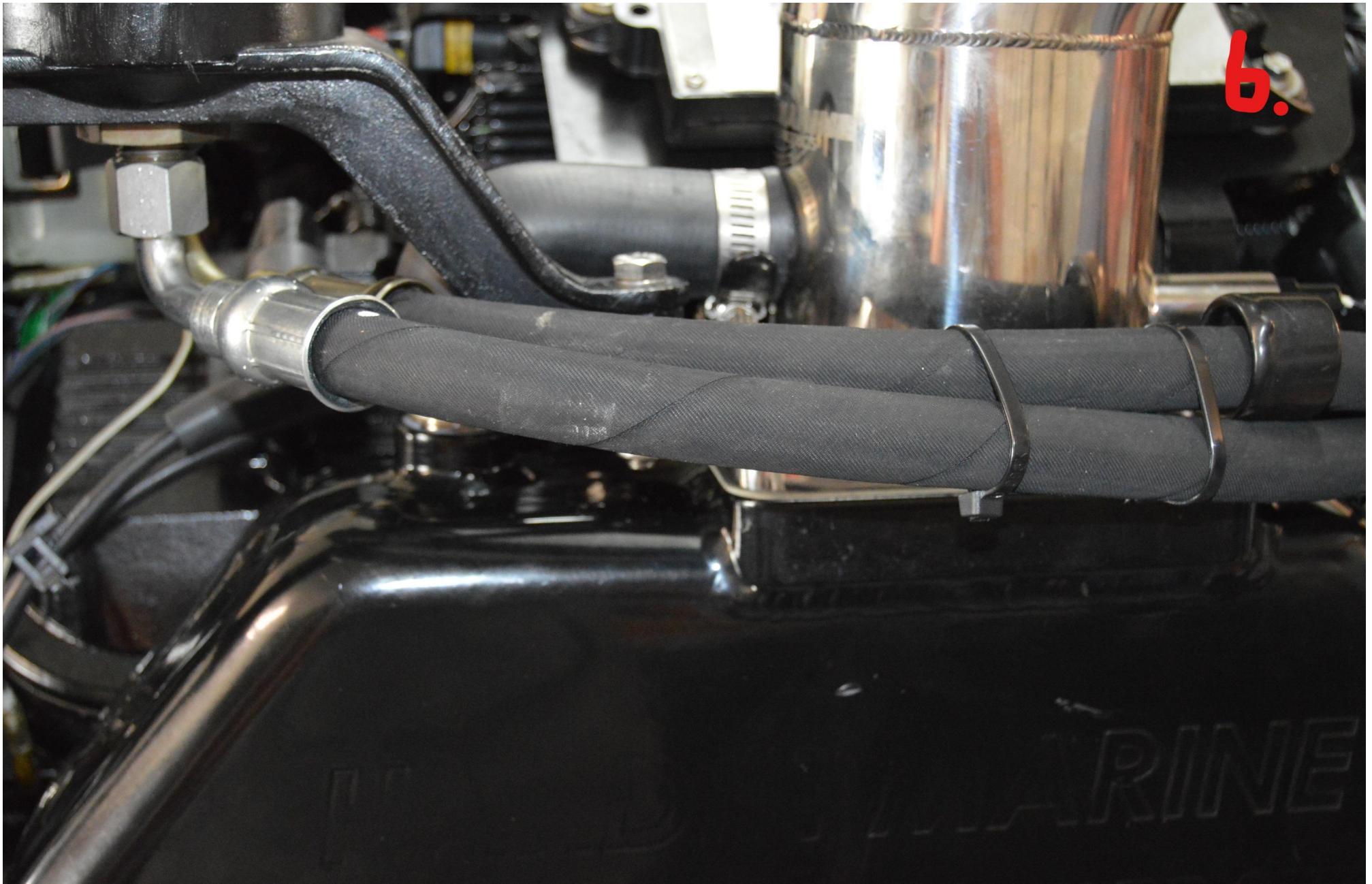
32-864488  
VOLVO PENTA

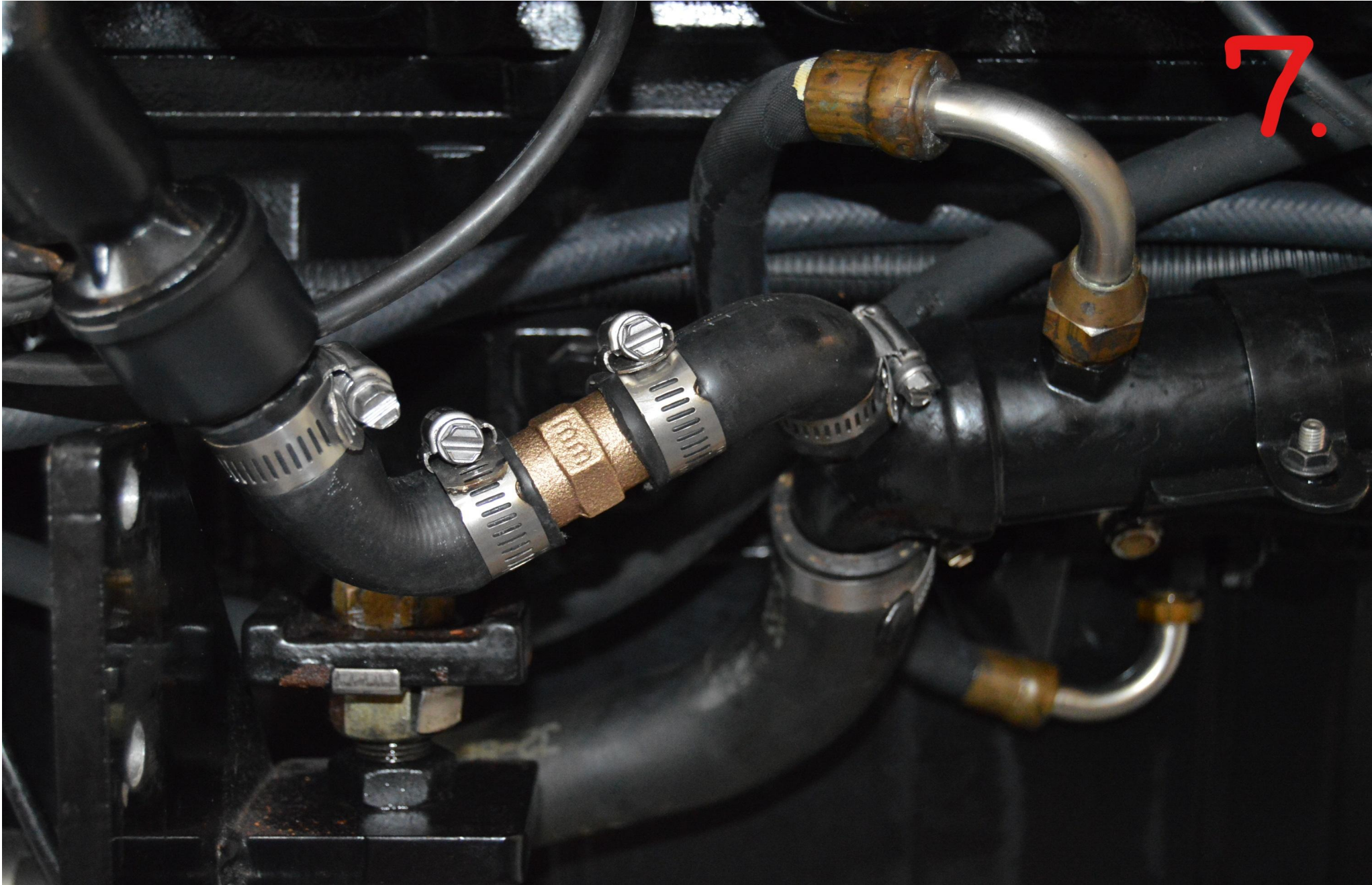
EMERGENCY  
CONTACT

4.

5.









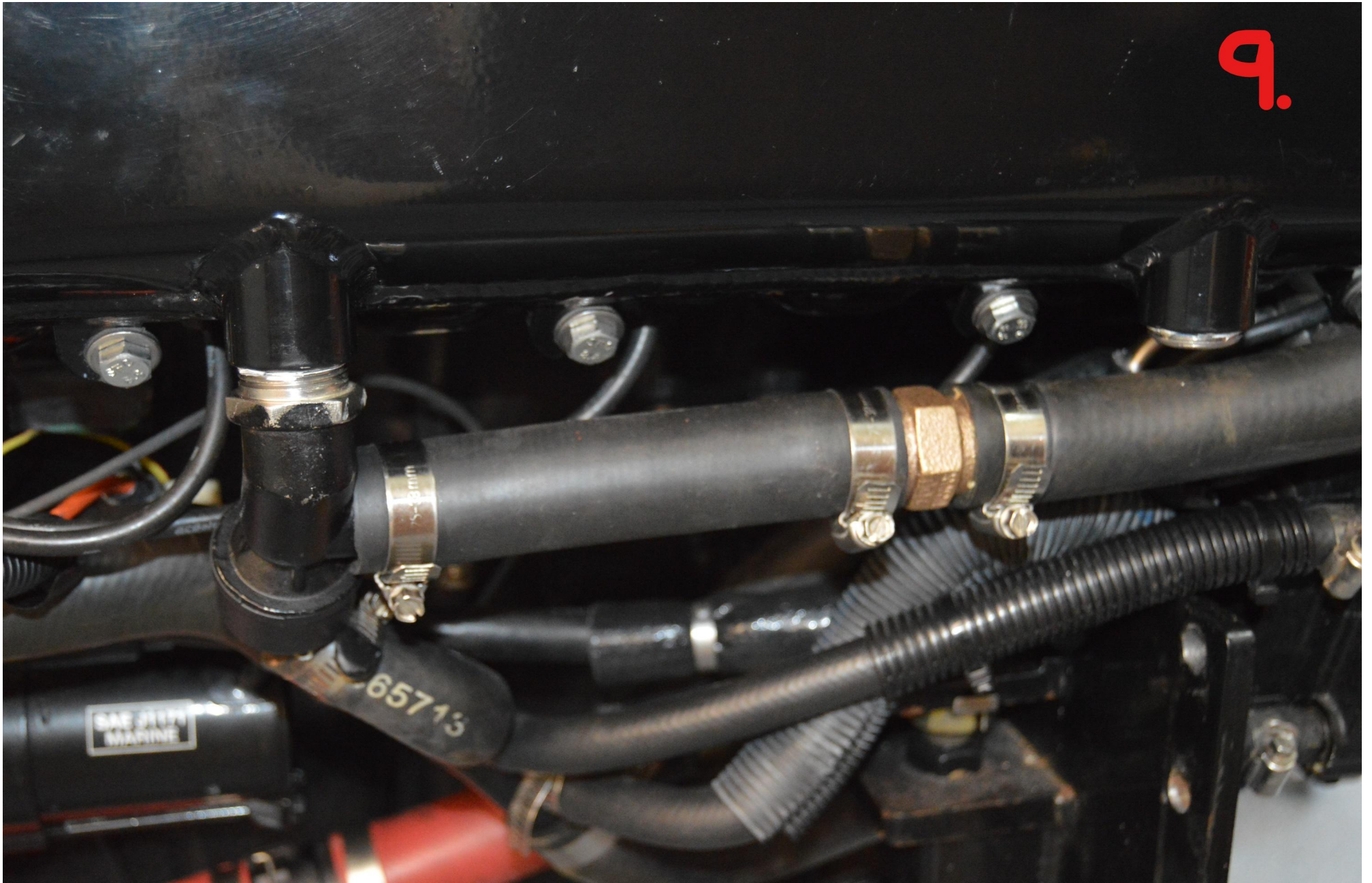
32-864488  
RLH MADE IN CHINA

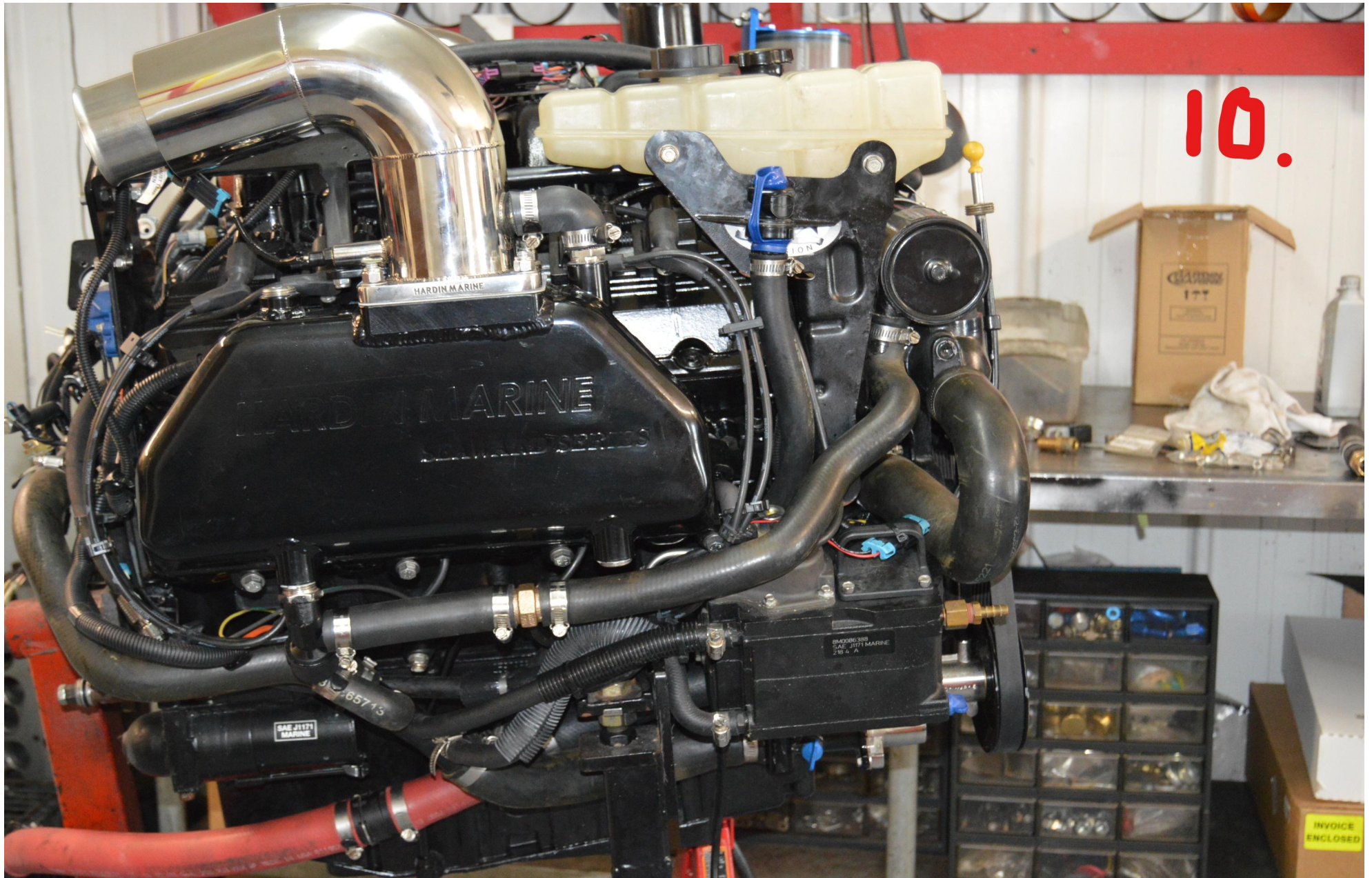
OUT



8.

9.

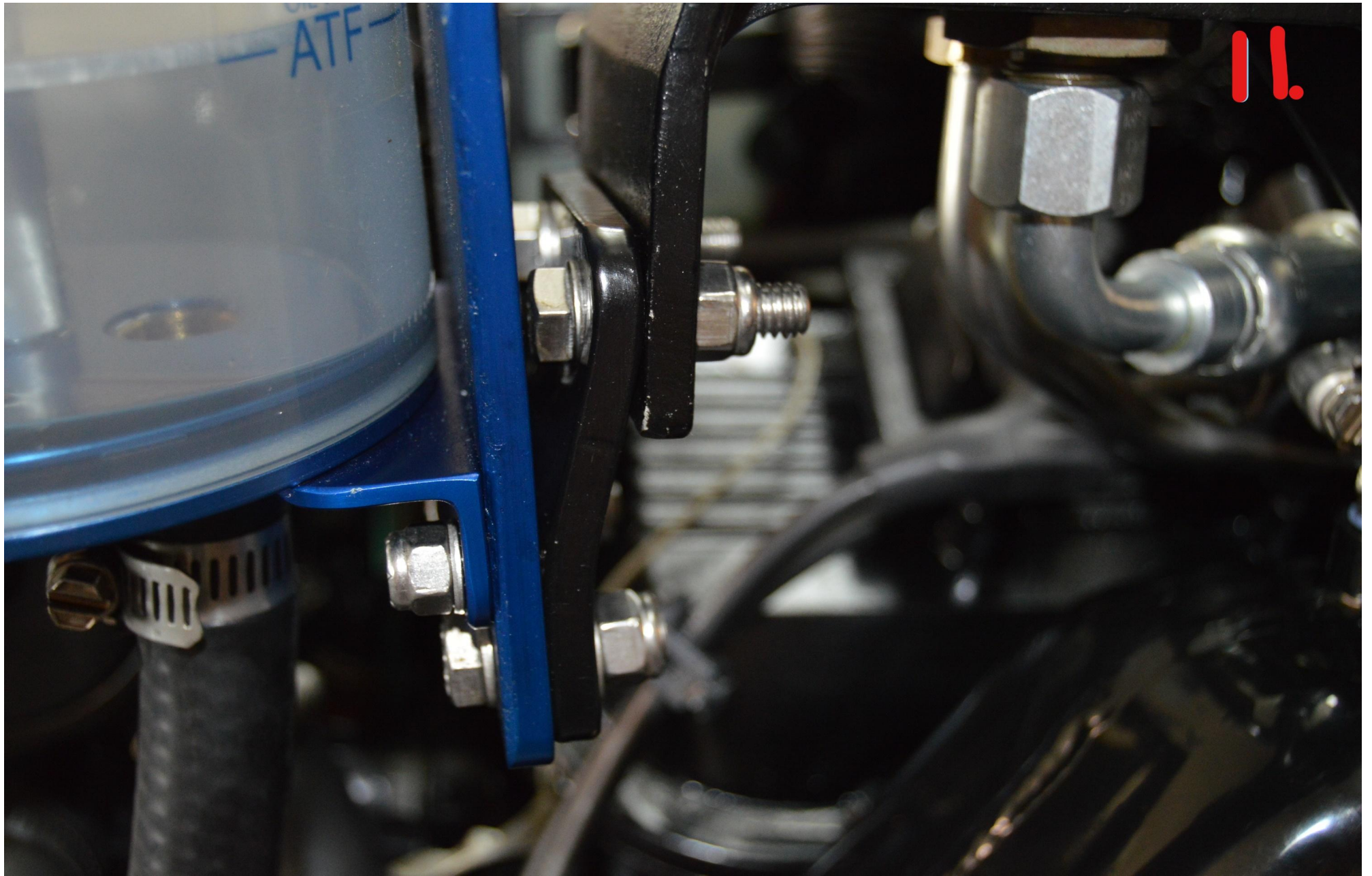




10.

INVOICE  
ENCLOSED





12.

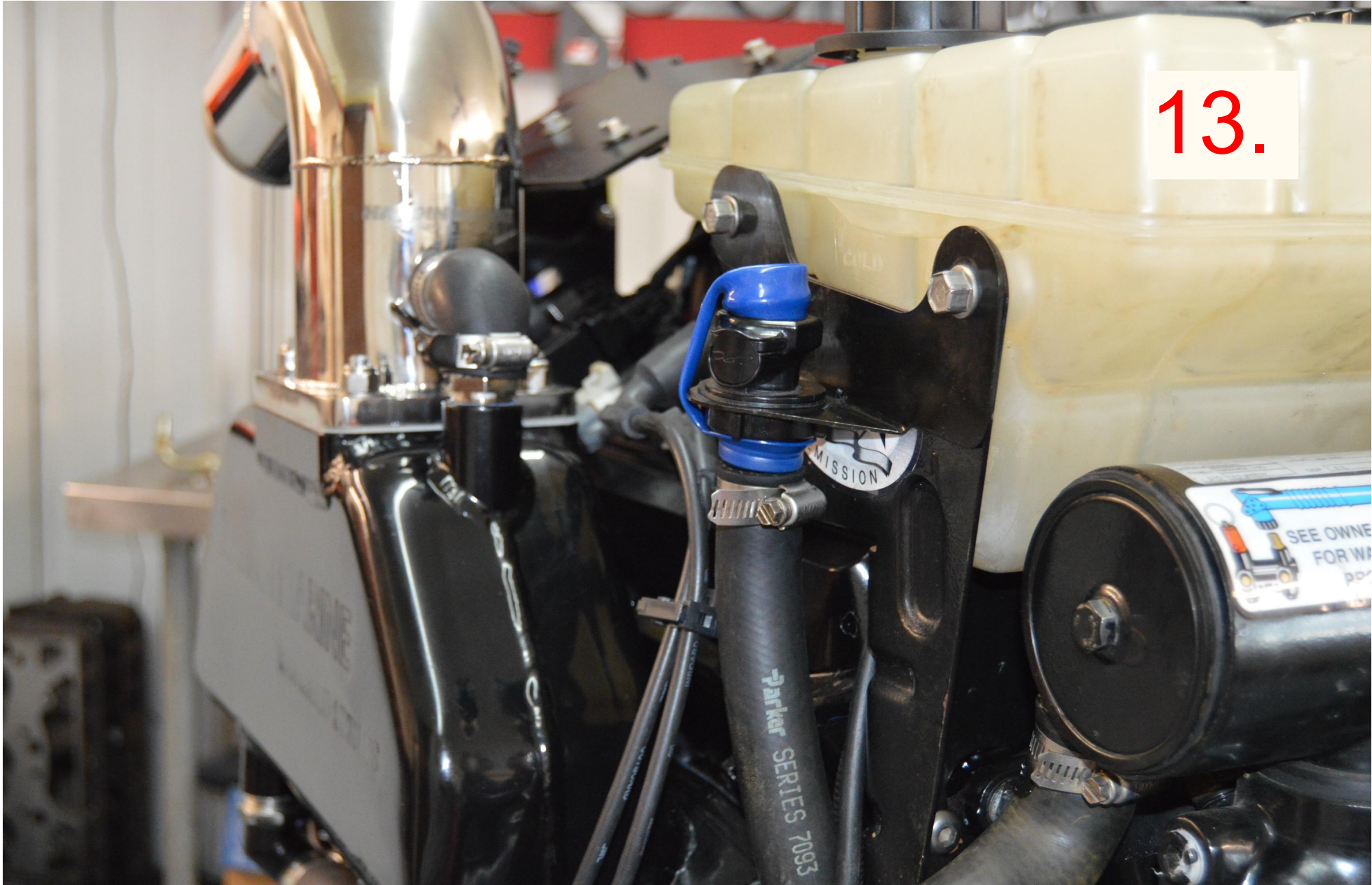


32-864488

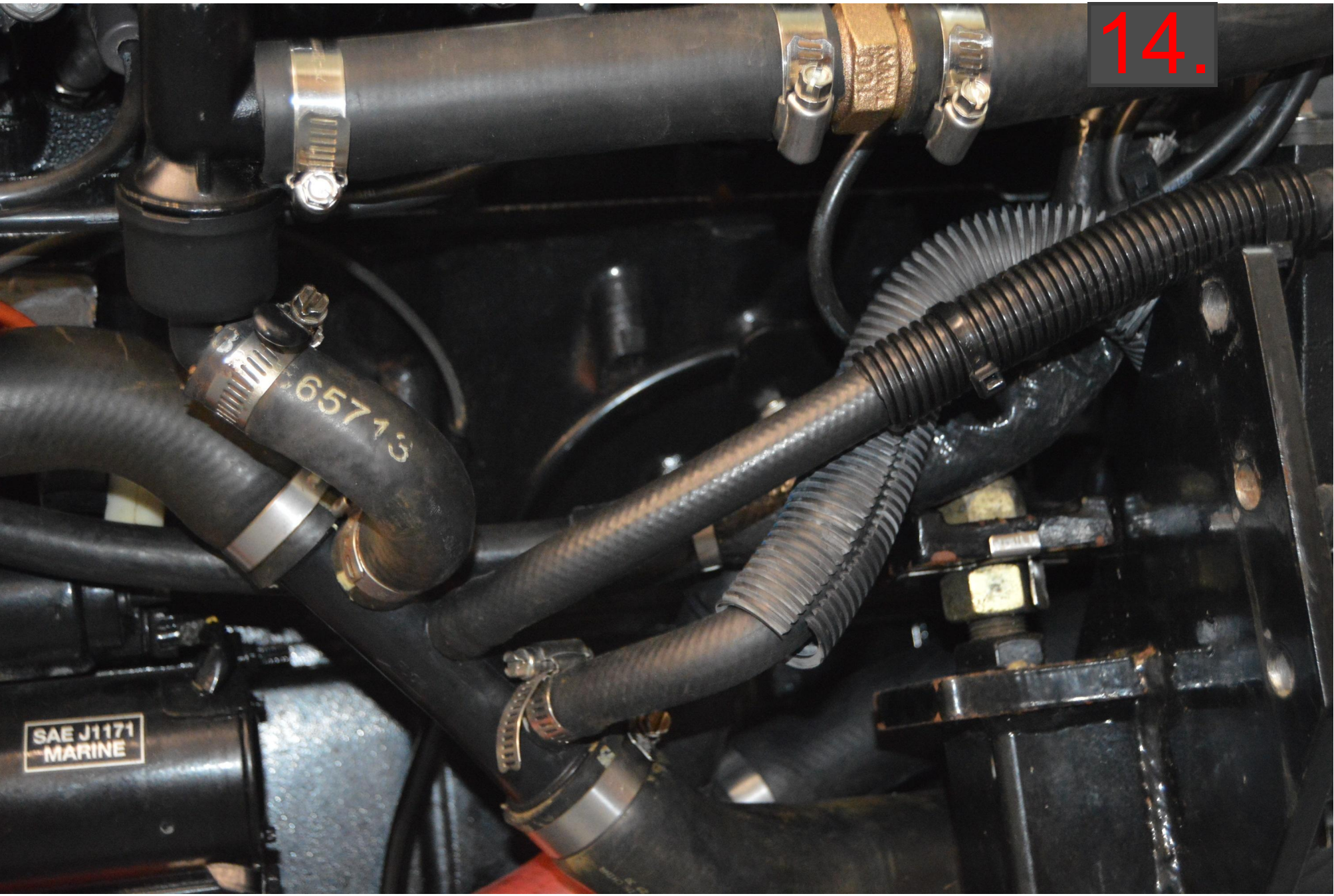
488 S O/VOLUME

HONDA MARINE  
SEAWARD SERIES

13.



14.

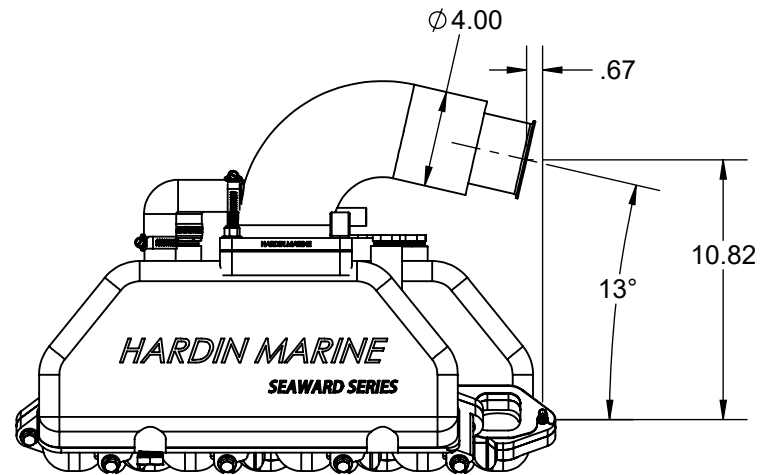
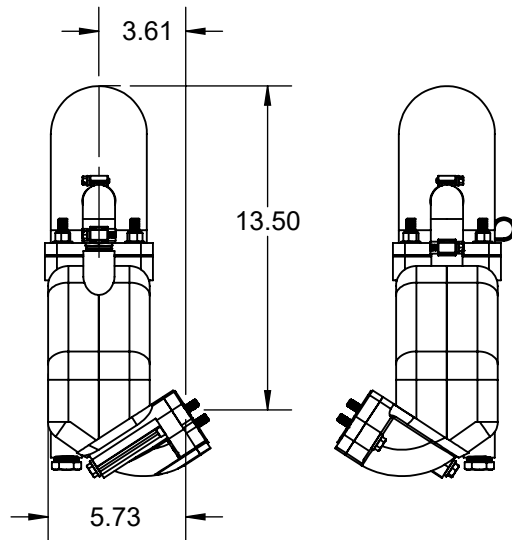


HARDIN MARINE 11 Industry Dr. Palm Coast, FL 32137  
386-445-2500 / FAX 386-445-1122

PART NO.  
620-38060

TITLE: SEAWARD 496 MANIFOLDS WITH  
STD HEIGHT RISERS

[www.hardin-marine.com](http://www.hardin-marine.com)



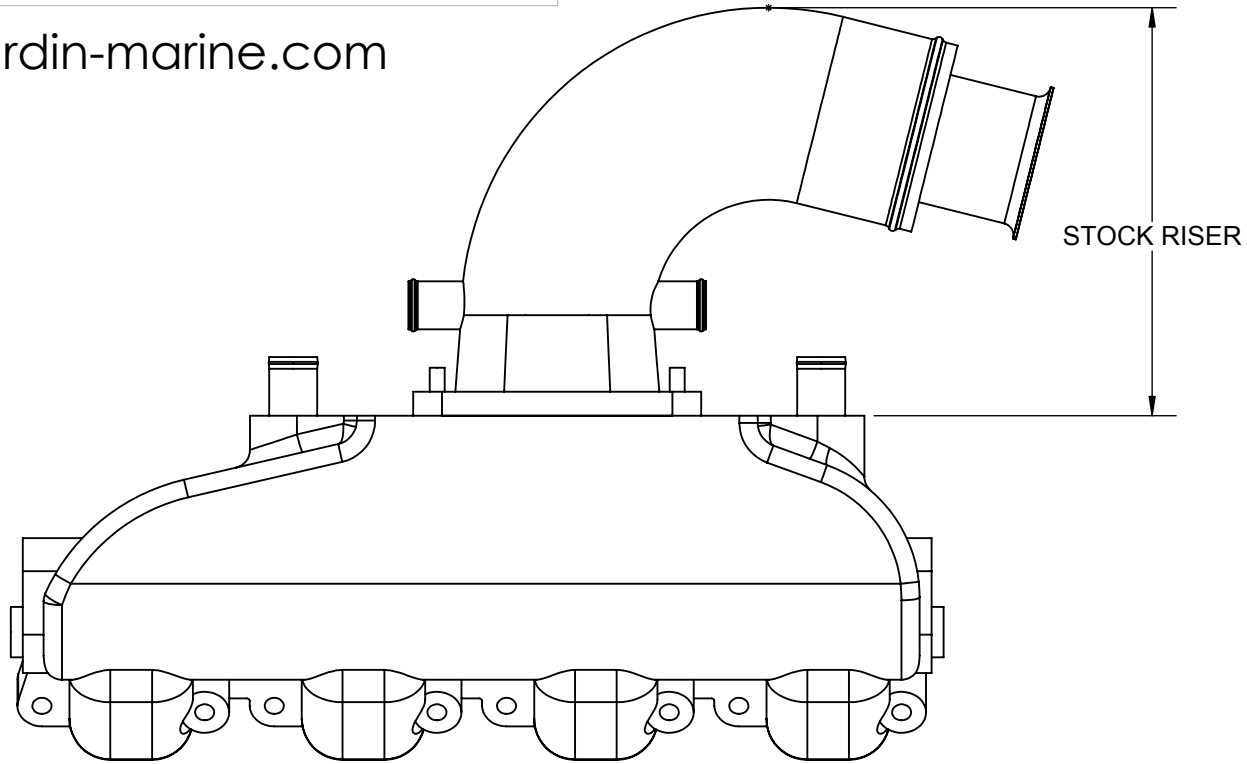
THIS DRAWING IS CONFIDENTIAL AND IS SUPPLIED ON EXPRESS CONDITION THAT IT SHALL NOT BE LENT, COPIED OR DISCLOSED TO ANY OTHER PERSON OR USED FOR ANY OTHER PURPOSE WITHOUT WRITTEN CONSENT OF HARDIN MARINE INC.. BREACH OF THIS CONTRACT WILL HOLD ..... AND IT'S PRINCIPALS LIABLE FOR LOSS AND DAMAGES.

HARDIN MARINE 11 Industry Dr. Palm Coast, FL 32137  
386-445-2500 / FAX 386-445-1122

PART NO.  
620-3806X

TITLE:  
SEAWARD 496 RISER HEIGHT DIMENSIONS

www.hardin-marine.com



MEASURE FROM RISER FLANGE TO TOP OF RISER AS SHOWN. THE CHART BELOW SHOWS THE MERCURY HEIGHT AND THE SEAWARD KIT TO ORDER.

MERCURY RISER HEIGHT	SEAWARD KIT NUMBER	DESCRIPTION
8-1/2	620-38060	MANIFOLDS & STD HEIGHT RISERS
10-1/2	620-38061	MANIFOLDS & 2" TALLER RISERS
14-1/2	620-38062	MANIFOLDS & 6" TALLER RISERS
16-1/2	620-38063	MANIFOLDS & 8" TALLER RISERS

THIS DRAWING IS CONFIDENTIAL AND IS SUPPLIED ON EXPRESS CONDITION THAT IT SHALL NOT BE LENT, COPIED OR DISCLOSED TO ANY OTHER PERSON OR USED FOR ANY OTHER PURPOSE WITHOUT WRITTEN CONSENT OF HARDIN MARINE INC.. BREACH OF THIS CONTRACT WILL HOLD ..... AND IT'S PRINCIPALS LIABLE FOR LOSS AND DAMAGES.