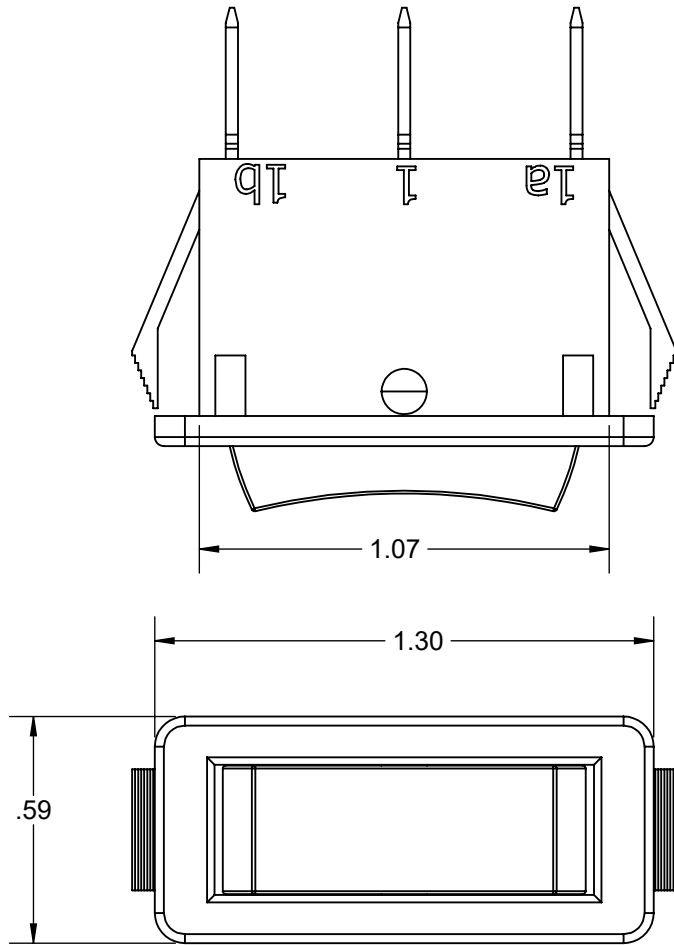


HARDIN MARINE 11 Industry Dr. Palm Coast, FL 32137
386-445-2500 / FAX 386-445-1122

PART NO.
620-2128

TITLE: **ROCKER SWITCH**

www.hardin-marine.com



FITS EARLY HARDIN, GAFFRIG & LIVORSI CONTROLS

