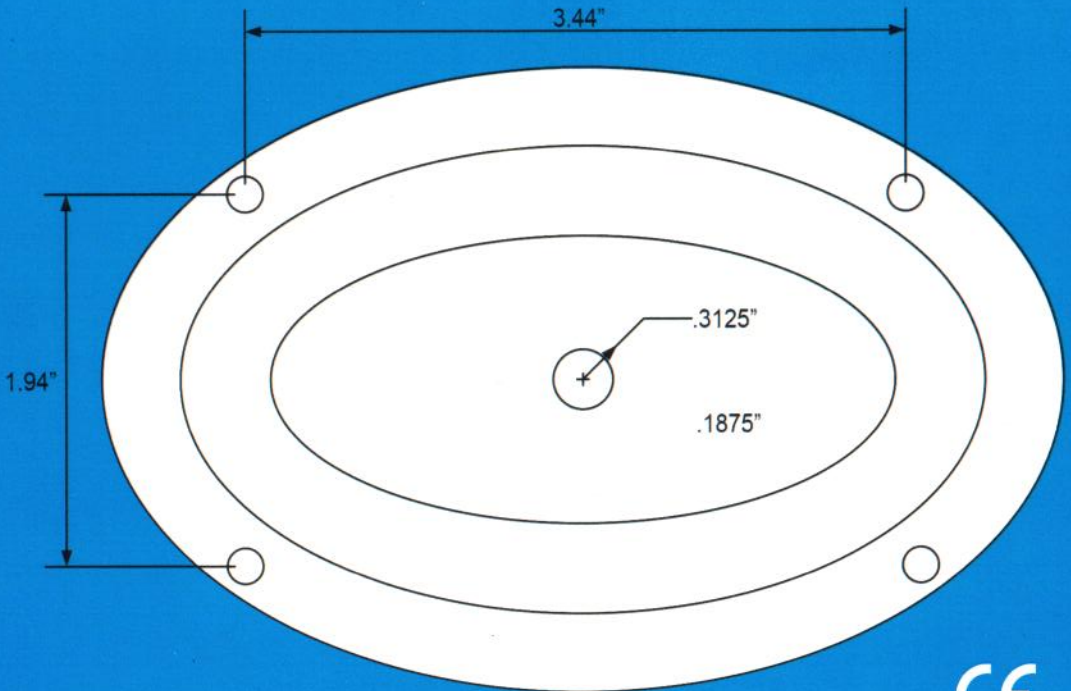


LR 50, 100, 200

MARINE LED LIGHTING

LUMIRUSH™



[Actual Size]

Lumirush Marine LED Lighting Installation Guide

1 Select a suitable flat surface that is accessible from behind the transom and ensure the cable can be ran through without obstruction.

2 Reference the Installation template to mark and drill the pilot holes for the power cable and the stainless steel mounting hardware.

3 Apply a single bead of marine grade sealant around the cable entry and screw holes.

4 Apply a continuous thick bead of marine grade sealant along the outside edge of the Underwater Light and around the power cable.

5 Push the power cable through the center hole and align the Underwater light with the pilot hole screws.

6 Attach the Underwater Light using the 4 stainless steel screws by hand tightening with a screwdriver.

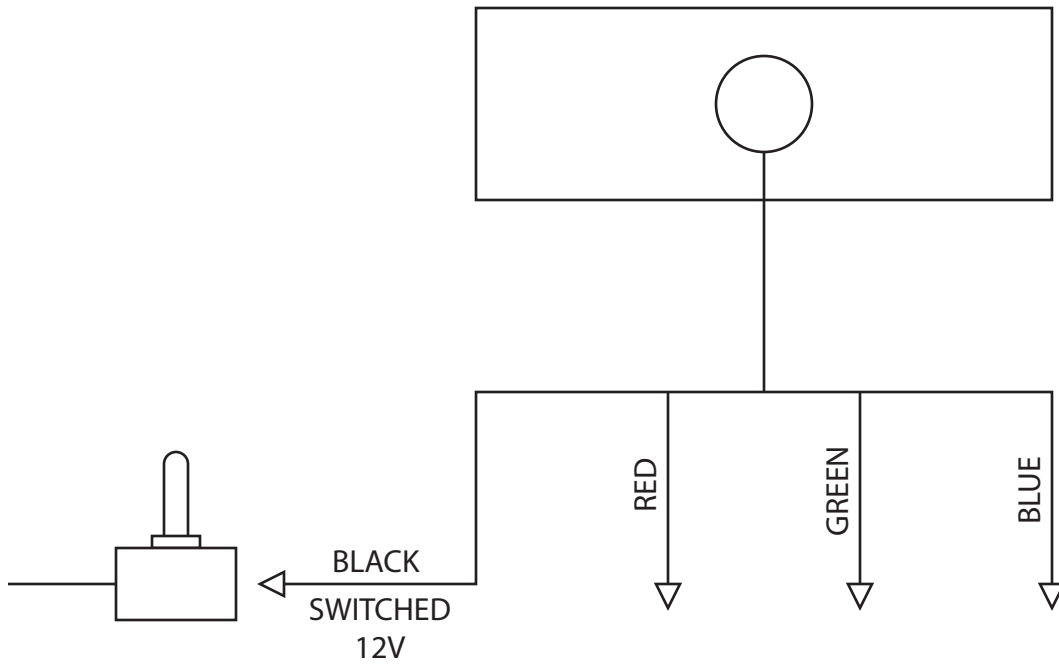
IMPORTANT: Do Not Over Tighten. Do Not Use Power Tools to tighten screws.

7 Use a damp cloth to wipe off excess sealant that was squeezed out during installation.

8 Route power cable away from any sources of heat or moving parts that could potentially damage the cable.

9 An In-line fuse must be installed in series with the power source and Underwater Light.

RGB SPECTRUM LIGHTS



Black wire will always go to 12v. The Red, Green and Blue wires are always to ground if used. See color chart below for LED color wiring options.

LED LIGHT COLOR	RED	GREEN	BLUE	YELLOW	PURPLE	TEAL	WHITE
WIRE COLOR							
BLACK	12V+	12V+	12V+	12V+	12V+	12V+	12V+
RED	12V-			12V-	12V-		12V-
GREEN		12V-		12V-		12V-	12V-
BLUE			12V-		12V-	12V-	12V-

12V+ = POSITIVE

12V- = GROUND