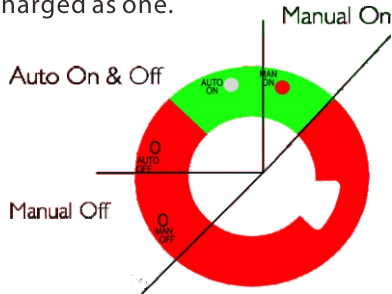


## VSS Motorized Battery Switch

275 Amps DC

### General Operation

The Motorized Battery Switch performs an automated paralleling function during charging, which allows two separate batteries to be charged as one.



### Auto Engagement of VSS:

When the charging source is higher than 13.7VDC for more than 5 seconds, the VSS will engage.

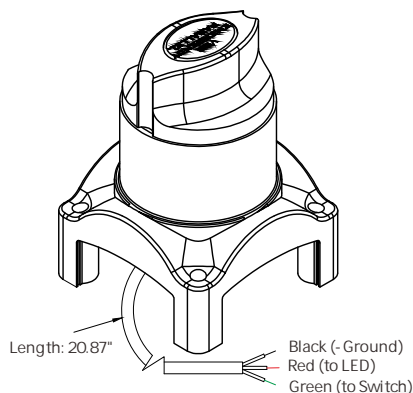
### Auto Disengagement of VSS:

When the battery drop under 12.2VDC, VSS will be disengaged.

- ▶ **Engine Charging Source:** If the batteries drop below 12.2VDC the LED will begin to flash 1 sec. on and 1 off (mid Flash), and after 5 min if the batteries continue to be under 12.2V/24.4V, the VSS will disengage.
- ▶ **Non Engine Charging Sources :** If the batteries drop below 13.0V/26.0V for more than 5 seconds the LED will turn off and after 3 seconds the VSS will disengage.
- ▶ **No Charging Source :** If the batteries drop below 13.0V/26.0V for more than 5 seconds the LED will turn off and after 3 seconds the VSS will disengage.

**Emergency Parallel Function:** The VSS Emergency Parallel Function can be operated through a remotely mounted momentary switch or button. The VSS will remain in parallel mode for 10 minutes. If after 10 minutes the voltage on either has not reached 13.0V the VSS will disengage. If the voltage reaches 13.0V on either battery the VSS will remain engaged and both batteries will continue to be charged. At any time depressing and holding momentary switch or button for 5 seconds will disengage the VSS.

**Manual Override:** The automatic operating of the VSS can be overridden at anytime by depressing the control knob and turning clockwise towards the "Manual On" position or anti clockwise towards the "Manual Off" position. Once the VSS attempts an automated function whilst in manual override, it determines it is in manual override (On or Off) and the LED will start flashing rapidly.



### Parts # 9805-006-7

|                      |   |
|----------------------|---|
| Continuous Rating    | 275 Amps DC   |
| Intermittent Rating  | 455 Amps DC   |
| Cranking Rating      | 1250 Amps DC  |
| Maximum Voltage      | 32 Volts DC   |
| Auto Operating Range | 8 to 30 Volts DC  |
| Power Draw           | Switch Off : 15mA<br>Switch On : 18mA                               |
| Switch Operating     | -20° to +60°C (14° to 140°F)  |
| Storage              | -40° to +80°C (-40 to 176°F)  |
| Housing              | Thermal plastic UL rated 94V0                                       |
| Mounting             | Recessed or Surface   |
| Standard             | meet S.A.E. J1625, J1171, ABYC E-11<br>UL1500 (Ignition protection) |
| Stud size            | 2pcs 3/8"   |
| Torque rating        | 88in-lb (10Nm) max.   |
| Studs and Nuts       | Copper with Tin plated  |

