

MAYFAIR PERFORMANCE

PART NO.  
137-8683

TITLE:

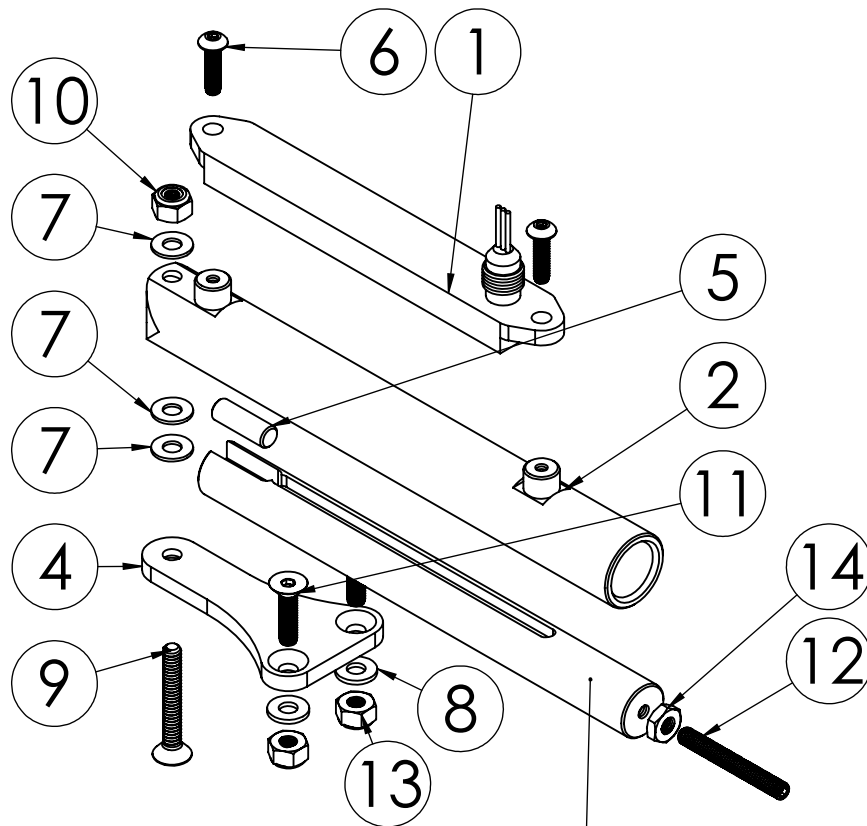
# 33C LED SENDER MOUNT

[www.mayfairperformance.com](http://www.mayfairperformance.com)

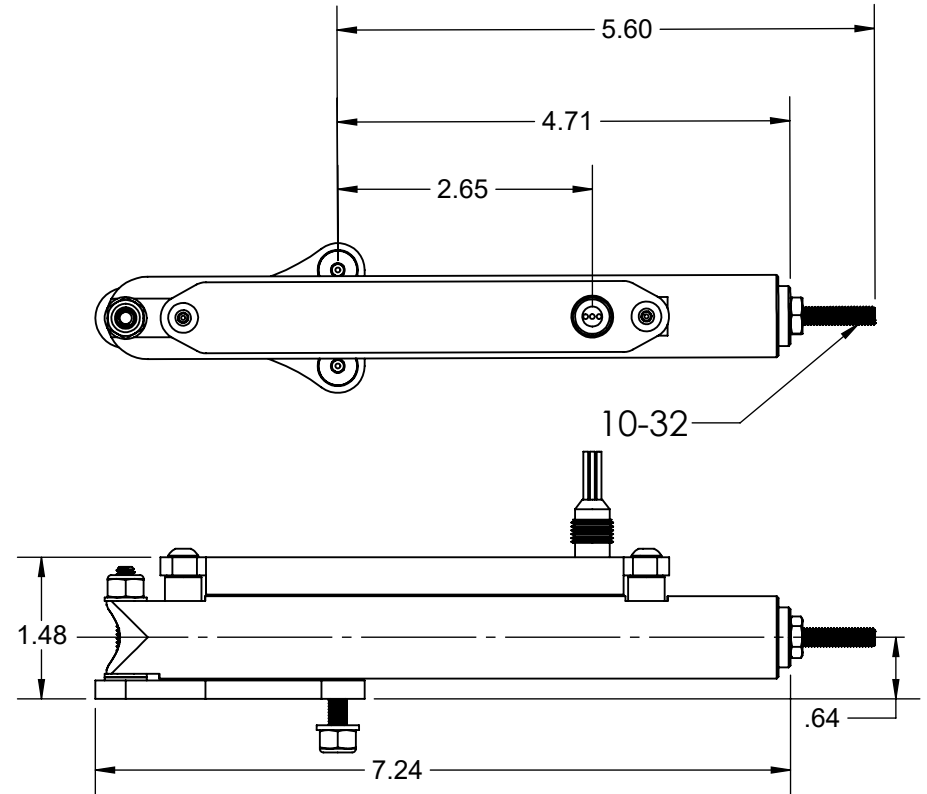
**INSTALLATION INSTRUCTIONS:**

- 1) THIS IS A UNIVERSAL 33C CABLE TO ELECTRONIC SENDER.
- 2) REMOVE THE ORIGINAL 33C CABLE CLAMP AND MOUNT #4 ADAPTER IN IT'S PLACE.
- 3) SEE 137-8414 TRIM SENDER FOR WIRING INSTRUCTIONS.

ITEM NO.	PART NUMBER	DESCRIPTION	QTY.
1	137-8414	SENDER, GEN 2	1
2	137-8661	MOUNT, SENDER	1
3	137-8662	ROD SENDER MOUNT	1
4	137-8663	MOUNT, 33C ADAPTER	1
5	137-8667	MAGNET, HARDIN GEN 2 SENDER	1
6	90008C062BHS	BOLT, 8-32x5/8	2
7	90010AN-STPL	WASHER, 10 NYLON	3
8	90010AN-STSS	WASHER, #10 AN	2
9	90010C137SFS	BOLT	1
10	90010CN-FNSS	NUT, 10-24	1
11	90010F075SFS	BOLT	2
12	90010F150SES	SCREW, SET 10-32x 1.50	1
13	90010FN-FNSS	NUT, NYLON, 10-32	2
14	90010FP-FNSS	NUT, 10-32	1



**WARNING:**  
COAT WITH MERCURY 2-4-C GREASE.  
BEFORE INSTALLING AND PERIODICALLY  
INSPECT AND REAPPLY GREASE!



THIS DRAWING IS CONFIDENTIAL AND IS SUPPLIED ON EXPRESS CONDITION THAT IT SHALL NOT BE LENT, COPIED OR DISCLOSED TO ANY OTHER PERSON OR USED FOR ANY OTHER PURPOSE WITHOUT WRITTEN CONSENT OF HARDIN MARINE INC.. BREACH OF THIS CONTRACT WILL HOLD ..... AND IT'S PRINCIPALS LIABLE FOR LOSS AND DAMAGES.

# MAYFAIR PERFORMANCE

PART NO.  
137-8414

TITLE:  
TRIM SENDER - GEN 2

www.mayfairperformance.com

## DASH PANEL TO SENDER WIRE COLOR CODE:

- 1) BLACK - GROUND
- 2) RED - 12V/ 5AMP FUSED KEYED POWER
- 3) YELLOW - DASH LIGHTS
- 4) BLUE - PORT SENDER BLACK & BLACK (GROUND)
- 5) WHITE - PORT SENDER YELLOW (SEND)
- 6) GREY - PORT SENDER RED (POWER)
- 7) BLUE - STBD SENDER BLACK & BLACK (GROUND)
- 8) WHITE - STBD SENDER YELLOW (SEND)
- 9) GREY - STBD SENDER RED (POWER)

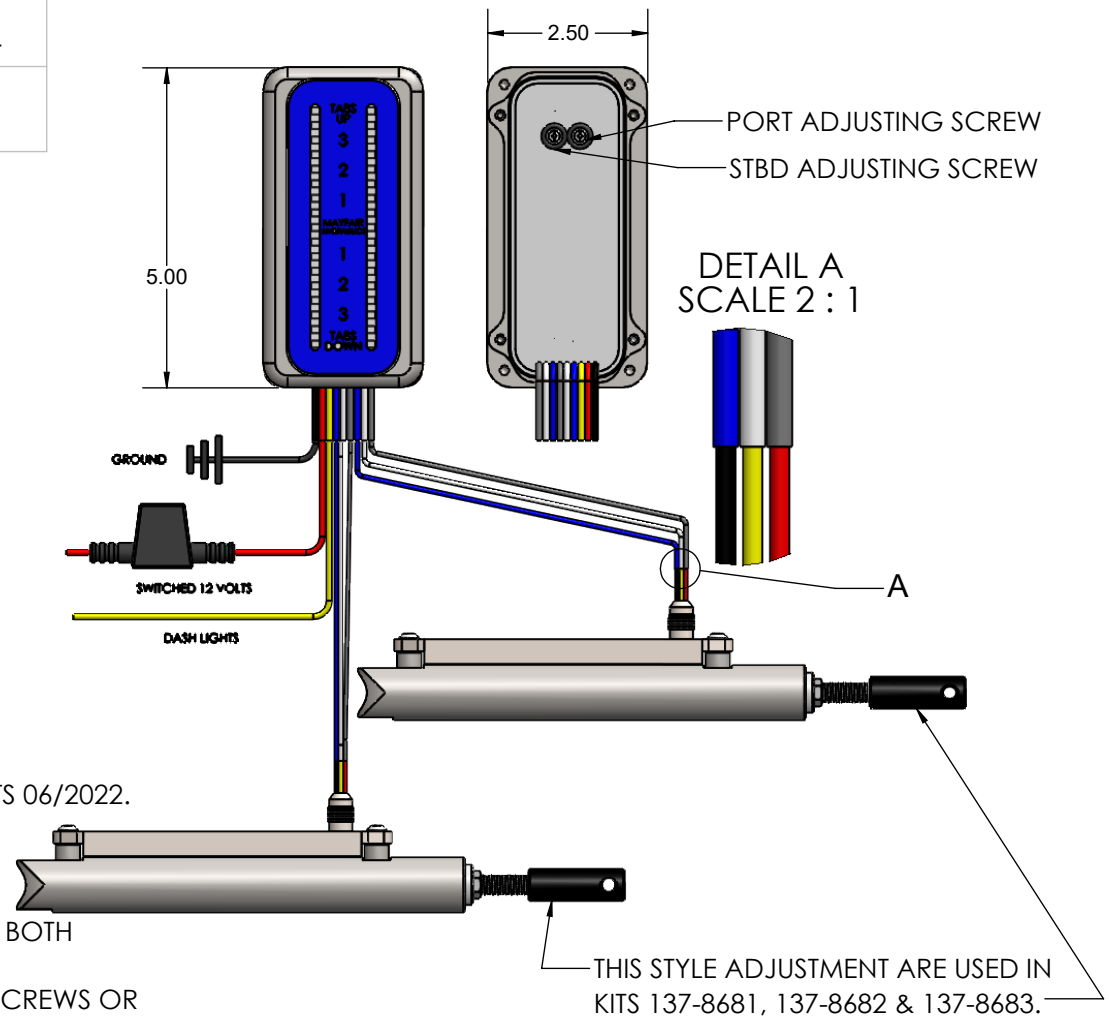
## OPTIONAL 137-8684 HARNESS KIT COMES WITH:

- (2) 30' SENDER HARNESS (GREY, BLUE AND WHITE)
- (1) 30' RED WIRE
- (1) 5AMP FUSE AND HOLDER
- (20) BUTT CONNECTORS

USED IN 137-8681, 137-8682, 137-8683, 137-8688 & 137-8737 KITS 06/2022.

## ADJUSTING THE LED LIGHT RANGE:

- 1) MOVE TO DRIVE/TAB ALL THE WAY DOWN.
- 2) BOTH SENDERS MUST BE WIRED AND THE BOTTOM LIGHT ON BOTH SIDES MUST BE LIT.
- 3) DEPENDING ON THE KIT, YOU WILL EITHER ADJUST THE END SCREWS OR SLID THE ASSEMBLY TO GET THE BOTTOM LIGHT ON THE DASH TO ILLUMINATE.
- 4) MOVE THE DRIVE/TAB ALL THE WAY UP.
- 5) USING 1/16 ALLEN KEY, REMOVE THE BACK COVER.
- 6) USING THE PROVIDED SCREWDRIVER, **CAREFULLY** TURN THE ADJUSTMENT ON THE BACK OFF THE LED PANEL ALL THE WAY COUNTER CLOCKWISE. SOME OF THE TOP LED'S SHOULD TURN OFF.
- 7) SLOWLY TURN THE ADJUSTING SCREW CLOCKWISE UNTIL THE THE TOP LED LIGHT BEGINS TO ILLUMINATE. PANEL IS NOW ADJUSTED FOR FULL RANGE. NOW ADJUST THE OTHER SIDE. CYCLE UP AND DOWN A FEW TIMES TO MAKE SURE LIGHTS ARE ADJUSTED PROPERLY.
- 8) REINSTALL REAR COVER.
- 9) 2 SLOT SHOWN. SAME INSTRUCTIONS FOR 4 AND 6 SLOT PANELS.



**WARNING:**  
ATTACHING POWER TO ANY OTHER WIRE  
THAN THE RED OR GREY WIRE WILL  
PERMANENTLY DAMAGE THE SENDER AND  
DASH PANEL.

THIS DRAWING IS CONFIDENTIAL AND IS SUPPLIED ON EXPRESS CONDITION THAT IT SHALL NOT BE LENT, COPIED OR DISCLOSED TO ANY OTHER PERSON OR USED FOR ANY OTHER PURPOSE WITHOUT WRITTEN CONSENT OF HARDIN MARINE INC.. BREACH OF THIS CONTRACT WILL HOLD ..... AND IT'S PRINCIPALS LIABLE FOR LOSS AND DAMAGES.

MAYFAIR PERFORMANCE

PART NO.

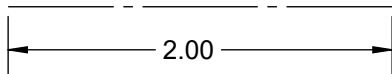
TITLE: 2 SLOT DASH PANEL CUTOUT

www.hardin-marine.com

USE 1/4 DRILL BIT FOR MOUNTING HOLES

DASH PANEL OUTSIDE PROFILE

USE 1/2 DRILL BIT FOR WIRE SLOTS. USE JIGSAW TO CUTOUT BETWEEN THE 2 HOLES.



MAKE SURE PRINTER IS SET TO 1:1 SCALE WHEN PRINTING. MEASURE THIS LINE TO INSURE CORRECT SCALE.

