

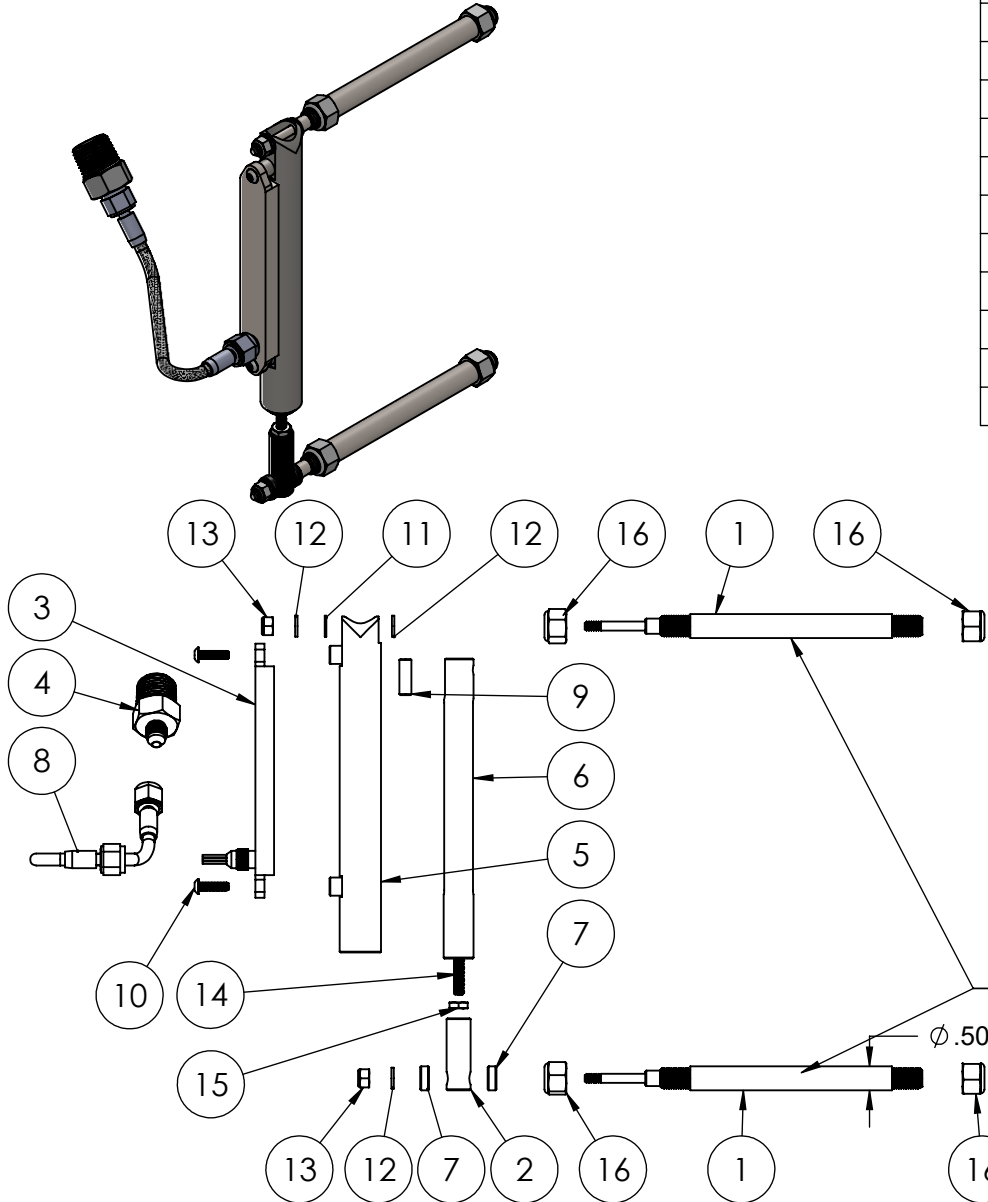
# MAYFAIR PERFORMANCE

PART NO.  
137-8681

TITLE: MAYFAIR/MERCURY GEN 1 TRIM TAB  
LED RETRO KIT-PARTS BREAKDOWN

www.mayfairperformance.com

ITEM NO.	PART NUMBER	DESCRIPTION	QTY.
1	137-8057	PIN, TRIM RAM w/ ACTUATOR	2
2	137-8059	CABLE END, TRIM TAB	1
3	137-8414	SENDER, GEN 2	1
4	137-8417	FITTING, TRIM TAB SENSOR	1
5	137-8661	MOUNT, SENDER	1
6	137-8662	ROD SENDER MOUNT	1
7	137-8665	SPACER, ACTUATOR PIN	2
8	137-8666	HOSE, WIRE	1
9	137-8667	MAGNET, HARDIN GEN 2 SENDER	1
10	90008C062BHS	BOLT, 8-32x5/8	2
11	90010AN-STPL	WASHER, 10 NYLON	1
12	90010AN-STSS	WASHER, #10 AN	3
13	90010CN-FNSS	NUT, 10-24	2
14	90010F150SES	SCREW, SET 10-32x 1.50	1
15	90010FP-FNSS	NUT, 10-32	1
16	90043CN-FNSS	NUT, 7/16-14	4



### IMPORTANT NOTES:

- 1) ONLY 1 ASSEMBLY SHOWN. KIT COMES WITH 2 OF THESE ASSEMBLIES.
- 2) ALWAYS USE ANTI-SIEZE ON ALL BOLTS, STUDS & #8 137-8666 HOSE.
- 3) TORQUE #10 NUTS TO 20 IN. LBS..
- 4) TORQUE 7/16 NUTS TO 40 FT. LBS..
- 5) USE LIQUID PIPE TAPE TO INSTALL #4 137-8417 FITTING.
- 6) COAT #6 137-8662 ROD WITH MERCURY 2-4-C.
- 7) #3 137-8414 GEN 2 SENDER 06/2022 AND LATER. IT HAS BLACK, YELLOW AND RED WIRES. 137-8428 GEN 1 SENDER WAS 06/2022 AND EARLIER HAS BLACK, WHITE AND RED WIRES.. SEE THE COMPARISION PAGE.

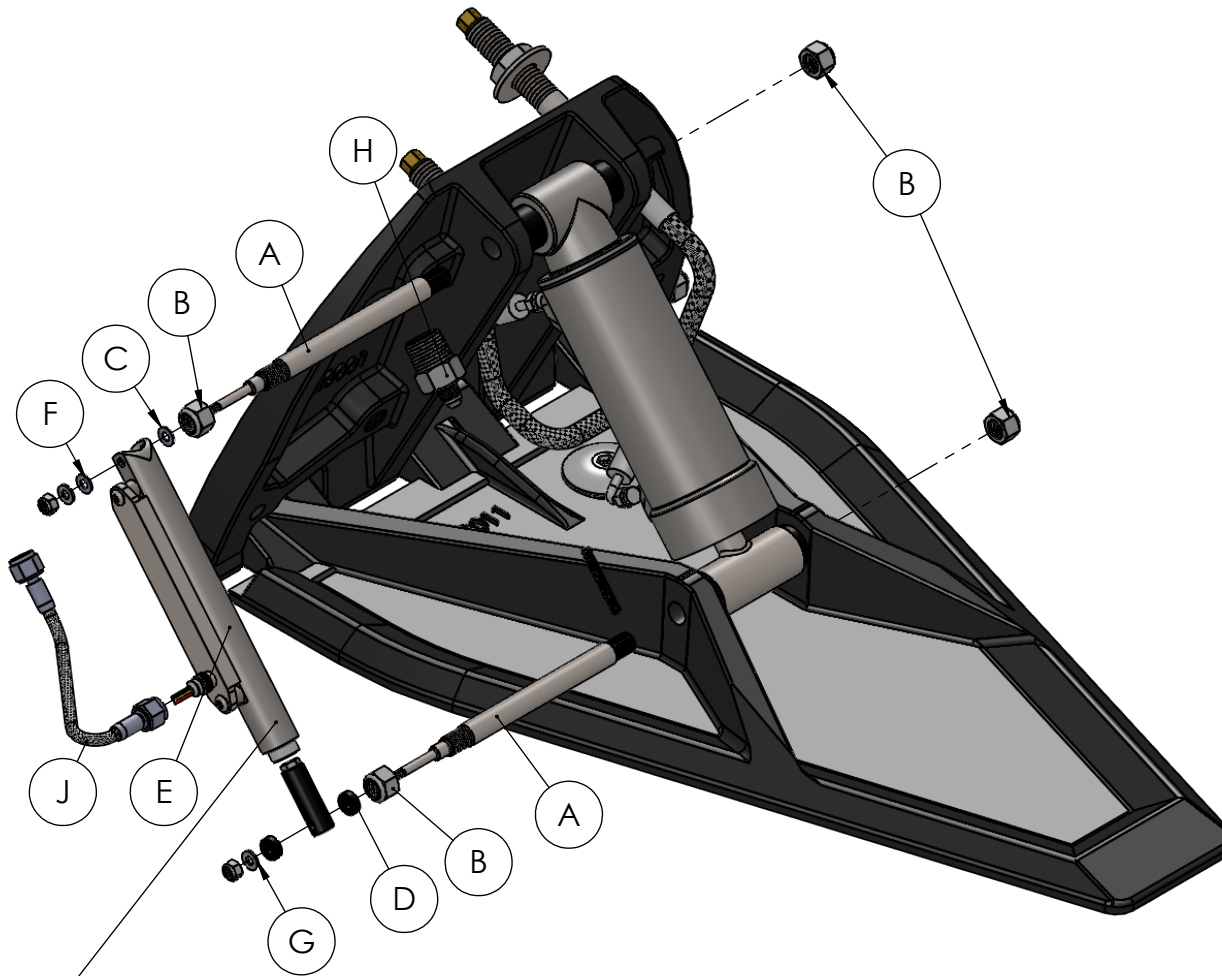
MAYFAIR GEN 1 AND EARLY  
MERCURY TRIM TABS USE  $\varnothing$  1/2 PINS

MAYFAIR PERFORMANCE

PART NO.  
137-8681

TITLE:  
MAYFAIR/MERCURY GEN 1 TRIM  
TAB LED ACTUATOR KIT

[www.mayfairperformance.com](http://www.mayfairperformance.com)



**WARNING:**  
COAT WITH MERCURY 2-4-C GREASE.  
BEFORE INSTALLING AND PERIODICALLY  
INSPECT AND REAPPLY GREASE!

INSTALLATION INSTRUCTIONS:

- 1) REMOVE OLD TRIM PINS AND CABLE THRU HULL FITTINGS.
- 2) SEE PARTS BREAKDOWN PRINT FOR PART NUMBERS AND ASSEMBLY LOCATIONS.
- 3) APPLY ANTI SIEZE TO THE OD OF BOTH 137-8057 PINS AND THREADS. SEE FIG. A.
- 4) SLIDE PINS INTO TABS AND RAMS. MAKE SURE TO KEEP THE ORIGINAL SPACERS IN THE SAME POSITION.
- 5) INSTALL 7/16 NUTS, FIG. B. TORQUE TO 40 FT. LBS..
- 6) SLIDE #10 NYLON WASHER ON THE UPPER STUD, FIG. C.
- 7) SLIDE 137-8665 SPACER ON TO THE LOWER STUD, FIG. D.
- 8) SLIDE SENDER MOUNT ON TO THE STUDS, FIG. E.
- 9) INSTALL #10 NYLON WASHER, #10 STAINLESS WASHER AND NUT ON TO THE UPPER STUDS, FIG. F. TORQUE TO 20 IN. LBS..
- 10) INSTALL 137-8665 SPACER, #10 STAINLESS WASHER AND NUT ON TO THE LOWER STUD, FIG. G. TORQUE TO 20 IN. LBS.. THE NUTS WILL BOTTOM OUT ON THE STUD. SLIDE SENDER SHOULD BE FREE TO MOVE.
- 11) APPLY LIQUID PIPE TAPE TO 137-8417 FITTING, FIG H. INSTALL IN THREADED HOLE WERE THE CABLE THRU HULL WAS.
- 12) SLIDE WIRES FROM HOSE AND SENDER THRU THE FITTING.
- 13) APPLY ANTI SIEZE TO 137-8417 FITTING AND LED SENDER. INSTALL 137-8666 HOSE, FIG J.
- 14) PROCEED TO WIRING INSTRUCTIONS.

# MAYFAIR PERFORMANCE

PART NO.  
137-8414

TITLE:  
TRIM SENDER - GEN 2

www.mayfairperformance.com

## DASH PANEL TO SENDER WIRE COLOR CODE:

- 1) BLACK - GROUND
- 2) RED - 12V/ 5AMP FUSED KEYED POWER
- 3) YELLOW - DASH LIGHTS
- 4) BLUE - PORT SENDER BLACK & BLACK (GROUND)
- 5) WHITE - PORT SENDER YELLOW (SEND)
- 6) GREY - PORT SENDER RED (POWER)
- 7) BLUE - STBD SENDER BLACK & BLACK (GROUND)
- 8) WHITE - STBD SENDER YELLOW (SEND)
- 9) GREY - STBD SENDER RED (POWER)

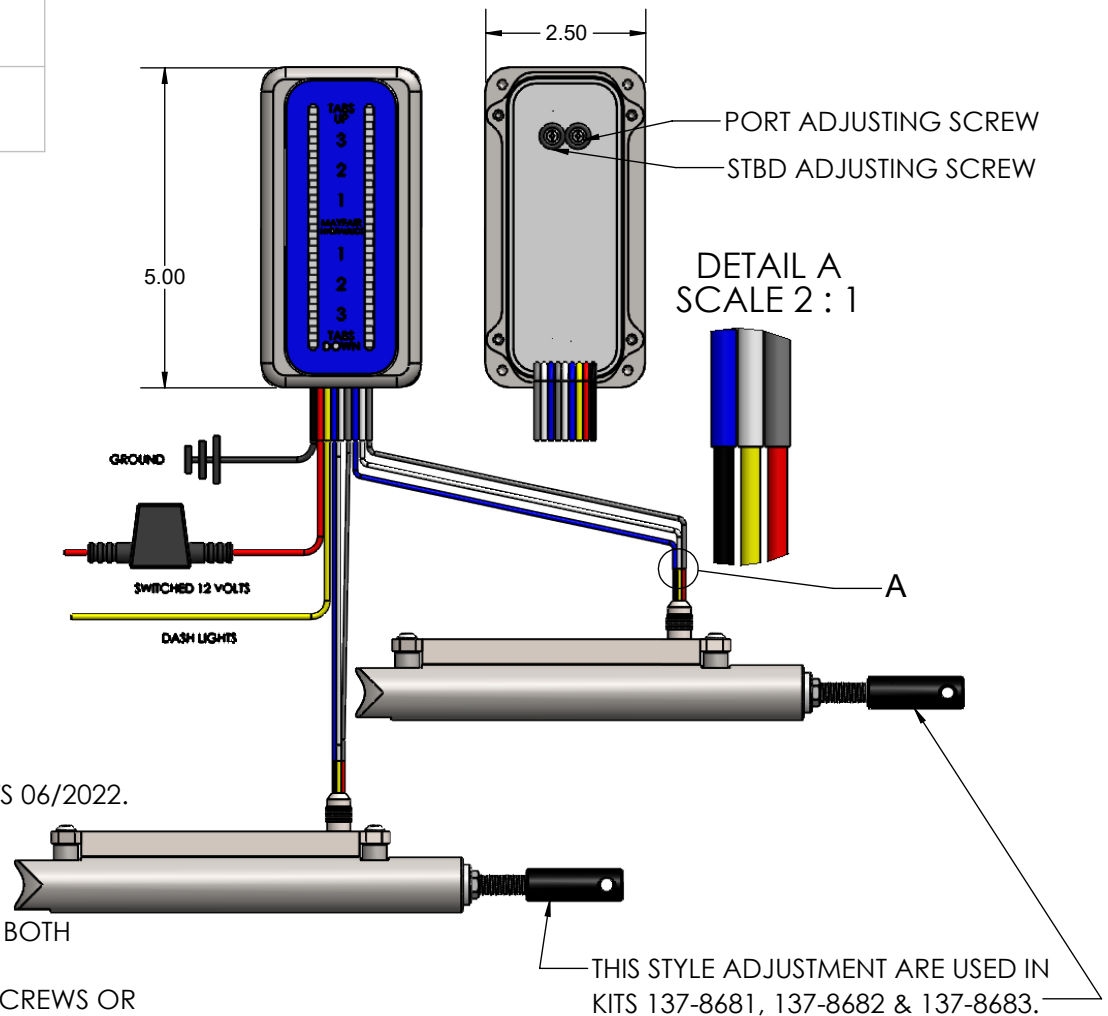
## OPTIONAL 137-8684 HARNESS KIT COMES WITH:

- (2) 30' SENDER HARNESS (GREY, BLUE AND WHITE)
- (1) 30' RED WIRE
- (1) 5AMP FUSE AND HOLDER
- (20) BUTT CONNECTORS

USED IN 137-8681, 137-8682, 137-8683, 137-8688 & 137-8737 KITS 06/2022.

## ADJUSTING THE LED LIGHT RANGE:

- 1) MOVE TO DRIVE/TAB ALL THE WAY DOWN.
- 2) BOTH SENDERS MUST BE WIRED AND THE BOTTOM LIGHT ON BOTH SIDES MUST BE LIT.
- 3) DEPENDING ON THE KIT, YOU WILL EITHER ADJUST THE END SCREWS OR SLID THE ASSEMBLY TO GET THE BOTTOM LIGHT ON THE DASH TO ILLUMINATE.
- 4) MOVE THE DRIVE/TAB ALL THE WAY UP.
- 5) USING 1/16 ALLEN KEY, REMOVE THE BACK COVER.
- 6) USING THE PROVIDED SCREWDRIVER, **CAREFULLY** TURN THE ADJUSTMENT ON THE BACK OFF THE LED PANEL ALL THE WAY COUNTER CLOCKWISE. SOME OF THE TOP LED'S SHOULD TURN OFF.
- 7) SLOWLY TURN THE ADJUSTING SCREW CLOCKWISE UNTIL THE THE TOP LED LIGHT BEGINS TO ILLUMINATE. PANEL IS NOW ADJUSTED FOR FULL RANGE. NOW ADJUST THE OTHER SIDE. CYCLE UP AND DOWN A FEW TIMES TO MAKE SURE LIGHTS ARE ADJUSTED PROPERLY.
- 8) REINSTALL REAR COVER.
- 9) 2 SLOT SHOWN. SAME INSTRUCTIONS FOR 4 AND 6 SLOT PANELS.

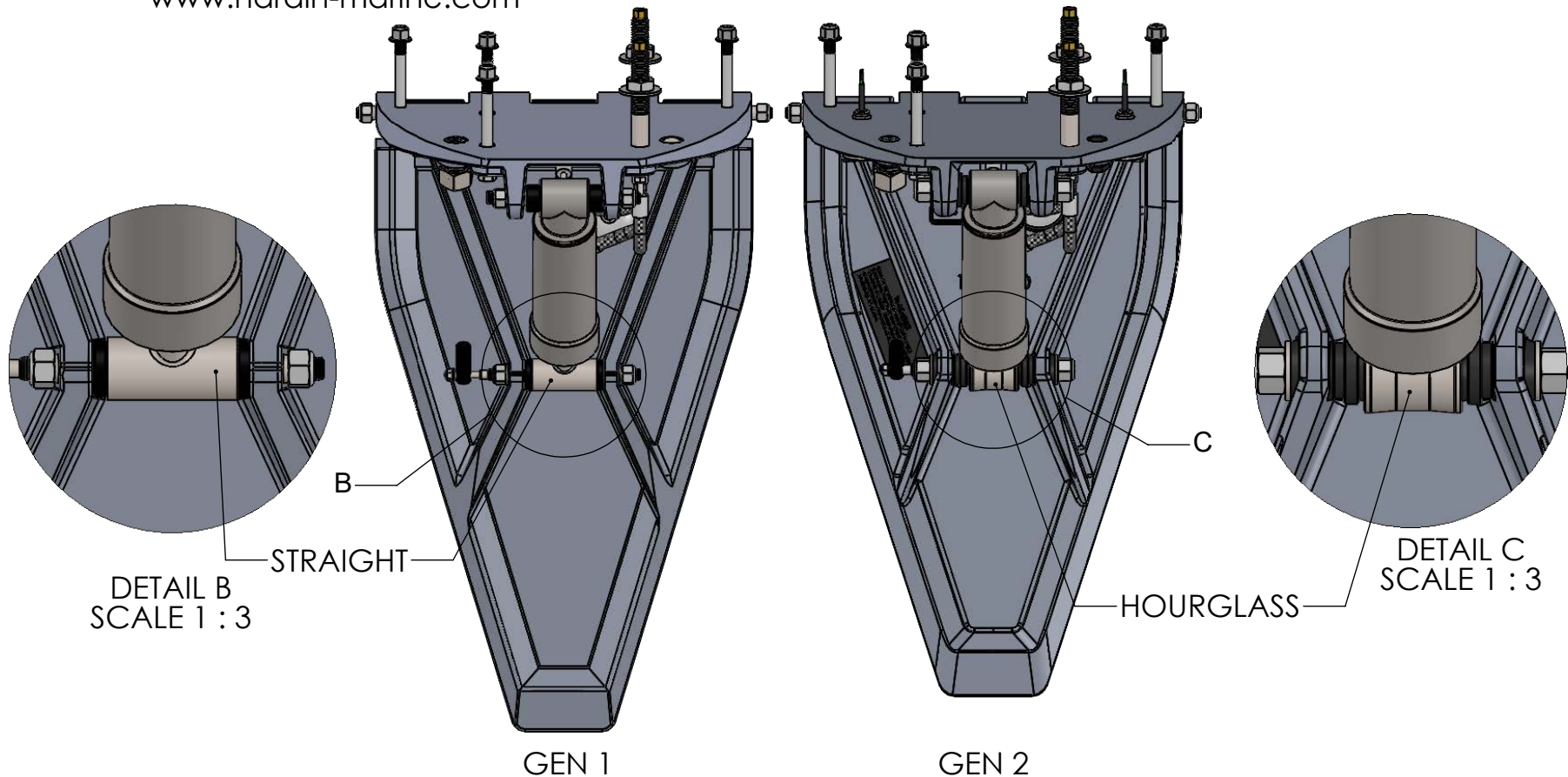


**WARNING:**  
ATTACHING POWER TO ANY OTHER WIRE  
THAN THE RED OR GREY WIRE WILL  
PERMANENTLY DAMAGE THE SENDER AND  
DASH PANEL.

THIS DRAWING IS CONFIDENTIAL AND IS SUPPLIED ON EXPRESS CONDITION THAT IT SHALL NOT BE LENT, COPIED OR DISCLOSED TO ANY OTHER PERSON OR USED FOR ANY OTHER PURPOSE WITHOUT WRITTEN CONSENT OF HARDIN MARINE INC.. BREACH OF THIS CONTRACT WILL HOLD ..... AND IT'S PRINCIPALS LIABLE FOR LOSS AND DAMAGES.

TITLE:  
MERCURY/HARDIN MARINE TRIM TAB VERSIONS

www.hardin-marine.com



EASIEST WAY TO SEE WHAT GENERATION MERCURY/HARDIN TRIM TABS YOU HAVE, IS TO LOOK AT THE TRIM RAM SHAFT . GENERATION 1 HAS A STRAIGHT ROUND END. GENERATION 2 HAS A HOURGLASS SHAPE.

MAYFAIR PERFORMANCE

PART NO.

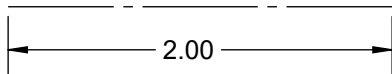
TITLE: 2 SLOT DASH PANEL CUTOUT

www.hardin-marine.com

USE 1/4 DRILL BIT FOR MOUNTING HOLES

DASH PANEL OUTSIDE PROFILE

USE 1/2 DRILL BIT FOR WIRE SLOTS. USE JIGSAW TO CUTOUT BETWEEN THE 2 HOLES.



MAKE SURE PRINTER IS SET TO 1:1 SCALE WHEN PRINTING. MEASURE THIS LINE TO INSURE CORRECT SCALE.

