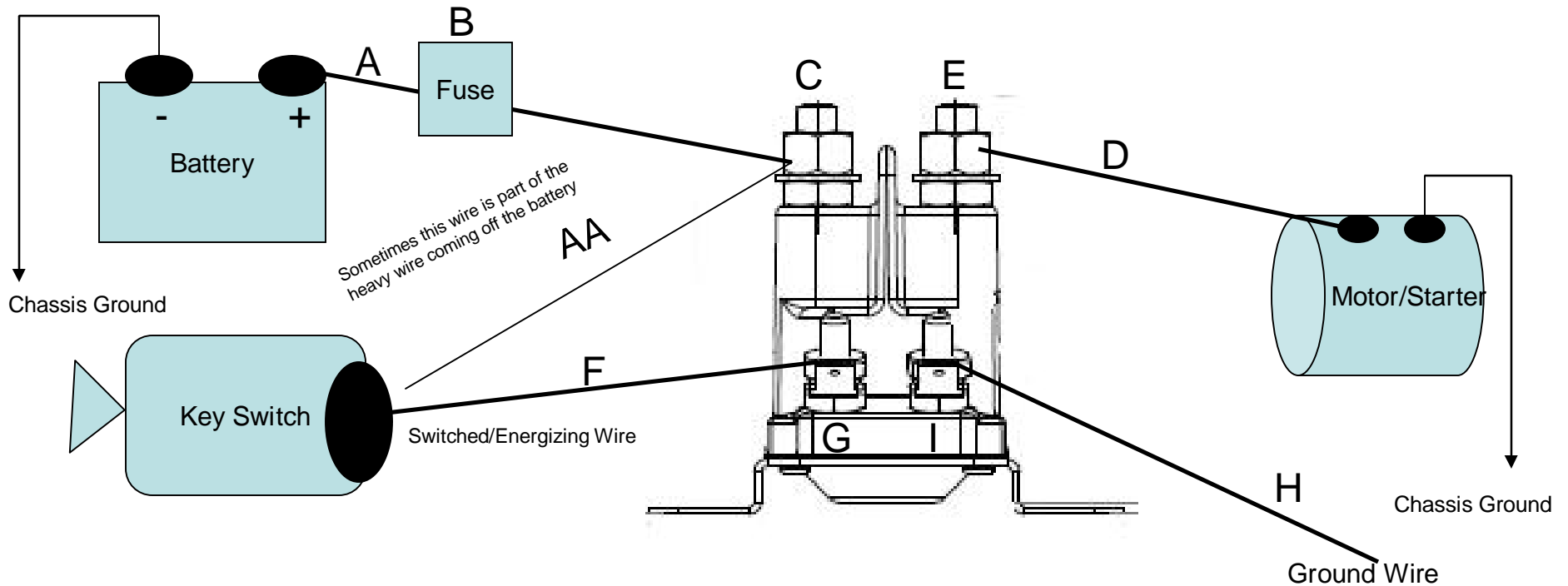


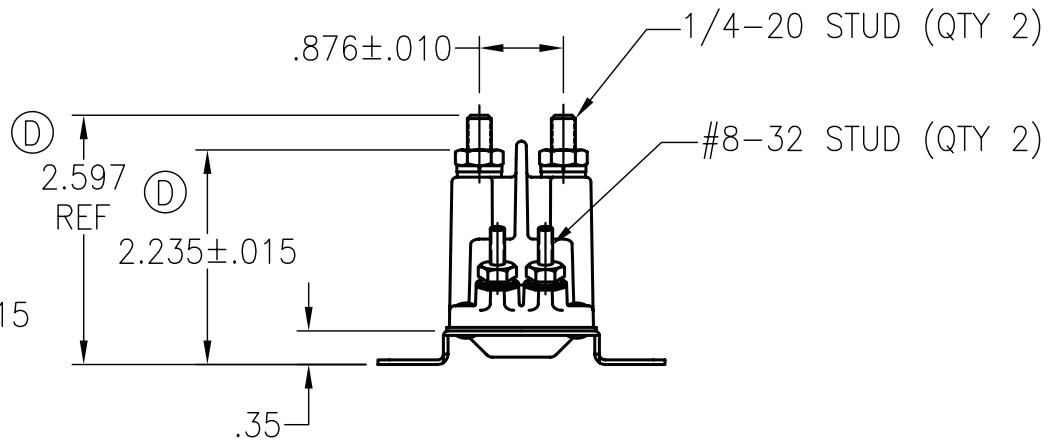
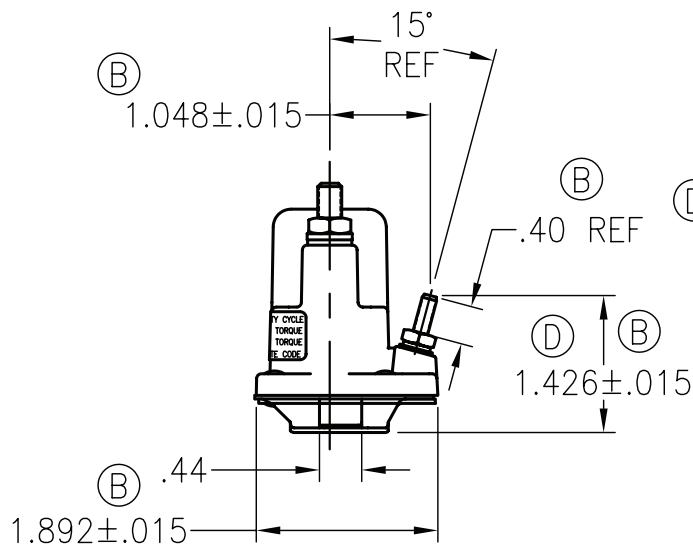
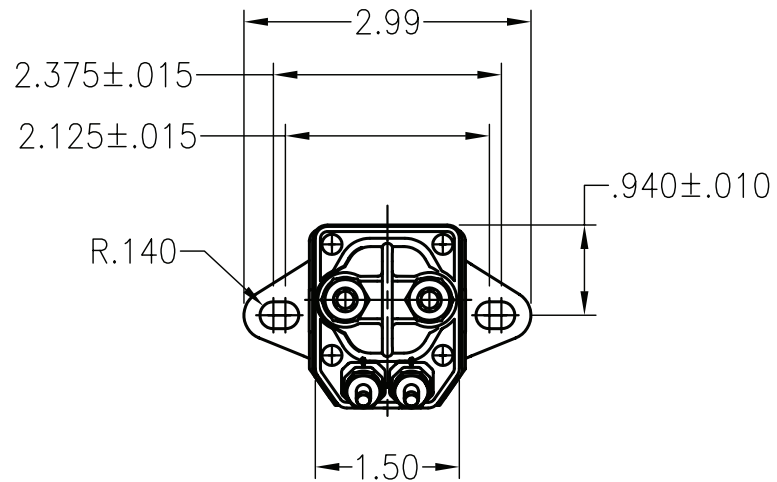
Installing Non-Grounded Plastic Contactor with Coil Studs & Spades



**Note: Do not remove lower nut from stud (C) or stud (E).
Do not remove nut from stud (G) or stud (I)
Do not bend spade (G) or spade (I)**

1. Connect the battery cable (A) to fuse (B)
2. Connect fuse (B) to high current stud (C) (there may be multiple wires with the battery cable. Connect all of the to the same high current stud).
3. Connect Key Switch Wire (AA) high current stud (C).
4. Connect the wire (D) from the motor/starter to high current stud (E).
5. Connect the wire (F) coming off the key switch to coil stud/Spade (G).
6. Connect the ground wire (H) to coil stud/spade (I).

NOTE: BULK HARDWARE KITS AVAILABLE



MATERIAL

FINISH

UNLESS OTHERWISE SPECIFIED

.XXX +/- .005 .XX +/- .01 ANG. +/- 1°
 BREAK ALL EDGES .005-.015 125/ FINISH
 FILLETS .010-.020 RAD.

DRAWN

SCALE 1:2

DWG. NO.

APPR.

REV.	DESCRIPTION	BY	ECN	DATE	APP.