

MAYFAIR PERFORMANCE

PART NO.
137-8000

TITLE:
GEN 1 MAYFAIR TRIM RAM w/ 1/2 PINS

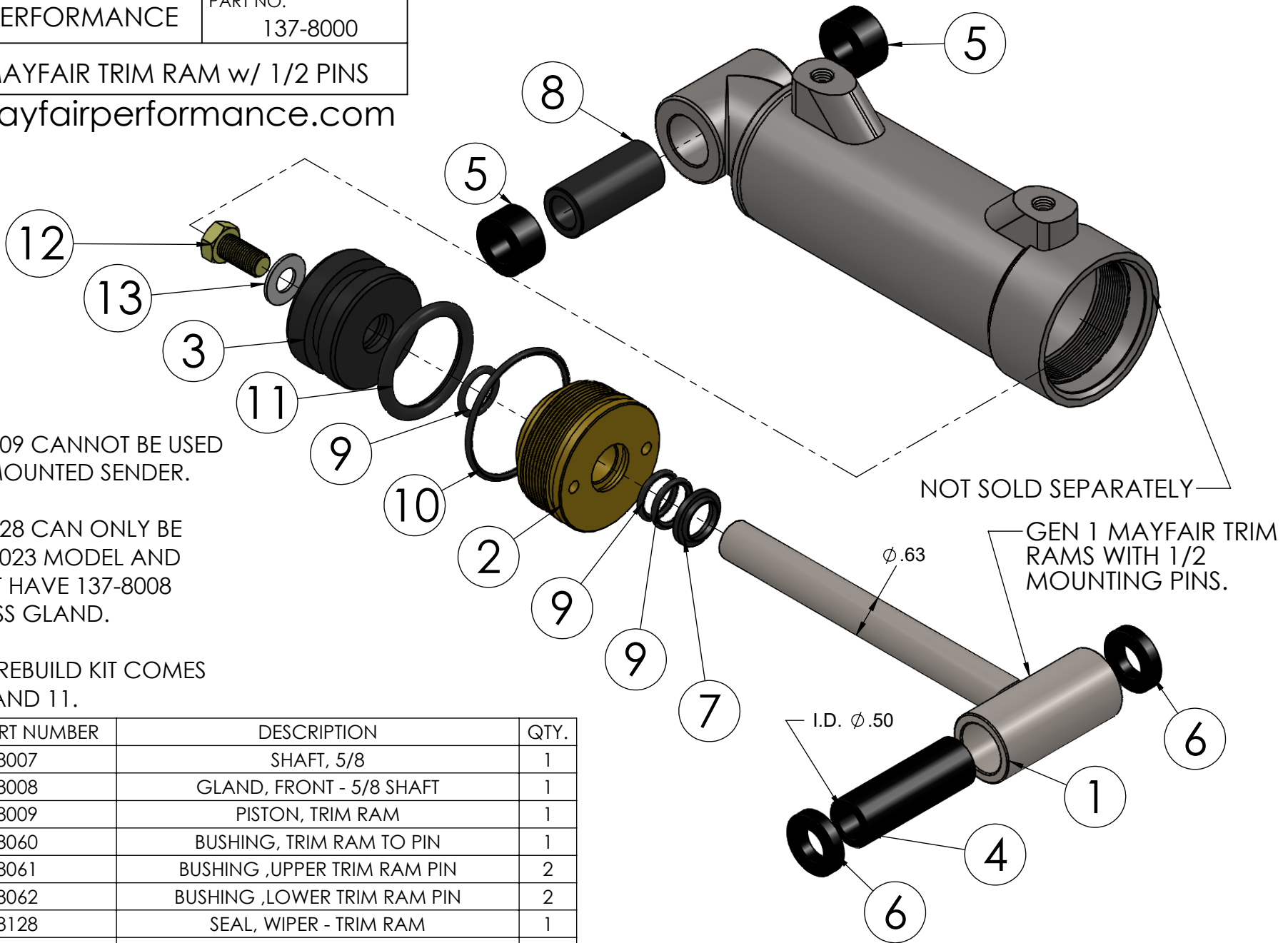
www.mayfairperformance.com

NOTE:

1) #3 137-8009 CANNOT BE USED WITH RAM MOUNTED SENDER.

2) #7 137-8128 CAN ONLY BE USED WITH 2023 MODEL AND ABOVE THAT HAVE 137-8008 NAVAL BRASS GLAND.

3) 137-8118 REBUILD KIT COMES #2,3,7,9,10 AND 11.



ITEM NO.	PART NUMBER	DESCRIPTION	QTY.
1	137-8007	SHAFT, 5/8	1
2	137-8008	GLAND, FRONT - 5/8 SHAFT	1
3	137-8009	PISTON, TRIM RAM	1
4	137-8060	BUSHING, TRIM RAM TO PIN	1
5	137-8061	BUSHING ,UPPER TRIM RAM PIN	2
6	137-8062	BUSHING ,LOWER TRIM RAM PIN	2
7	137-8128	SEAL, WIPER - TRIM RAM	1
8	137-8136	BUSHING, UPPER-GEN 2 RAM TO GEN 1 PIN	1
9	625-1114	O-RING	3
10	625-1135	O-RING	1
11	625-1325	O-RING	1
12	90037F075HH8	BOLT, HHCS, G8, 3/8-24x.75	1
13	90037SA-STSS	WASHER, 3/8 SAE	1

THIS DRAWING IS CONFIDENTIAL AND IS SUPPLIED ON EXPRESS CONDITION THAT IT SHALL NOT BE LENT, COPIED OR DISCLOSED TO ANY OTHER PERSON OR USED FOR ANY OTHER PURPOSE WITHOUT WRITTEN CONSENT OF MAYFAIR HYDRAULICS INC.. BREACH OF THIS CONTRACT WILL HOLD AND IT'S PRINCIPALS LIABLE FOR LOSS AND DAMAGES.

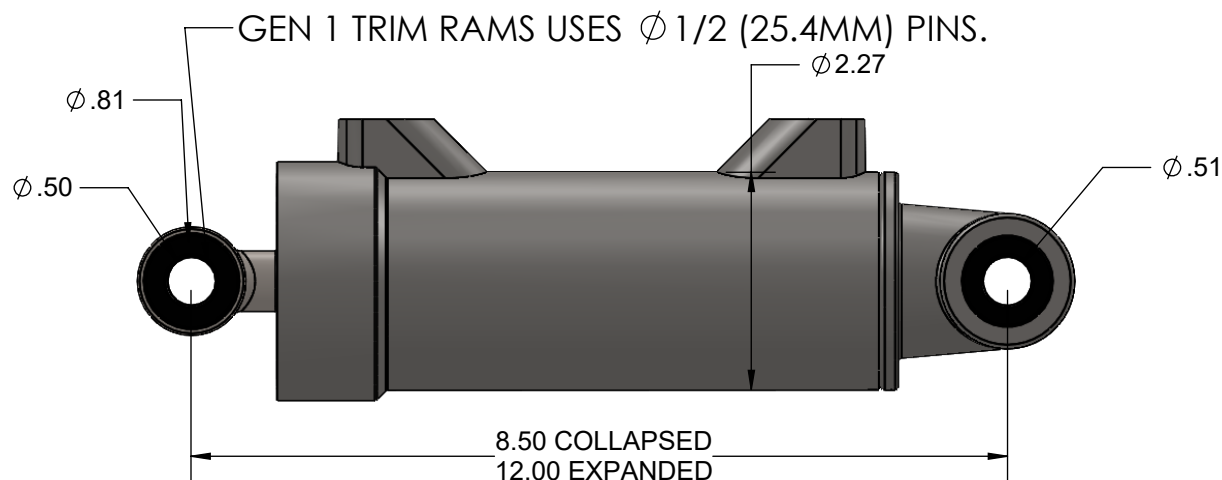
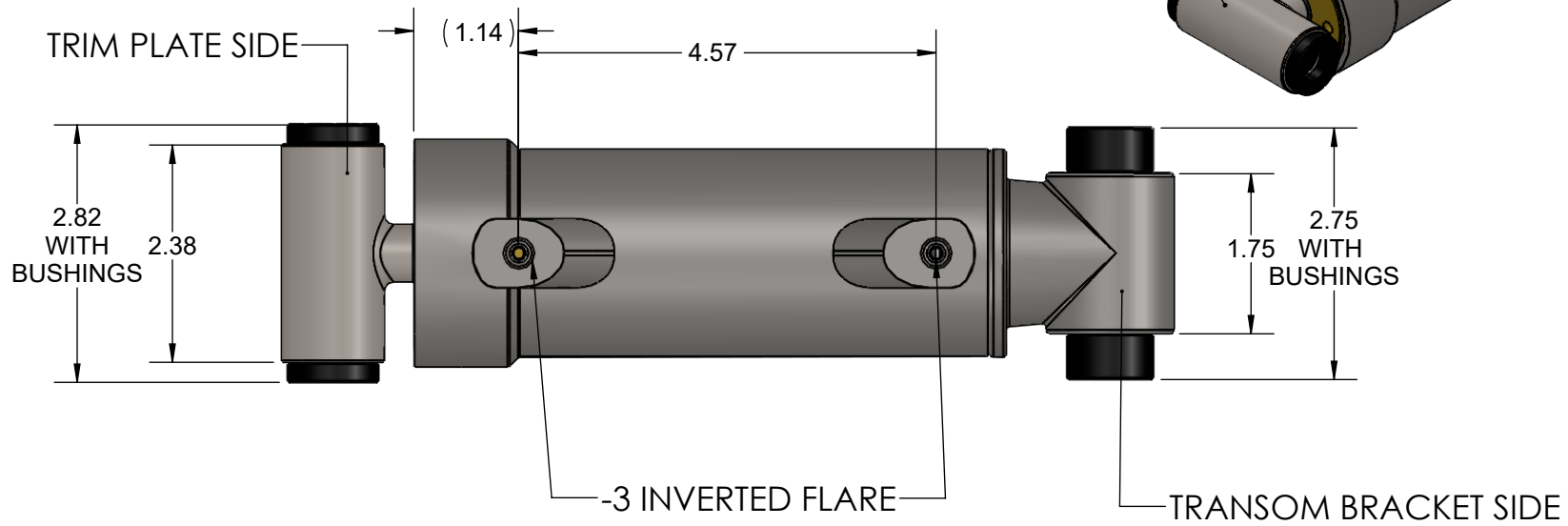
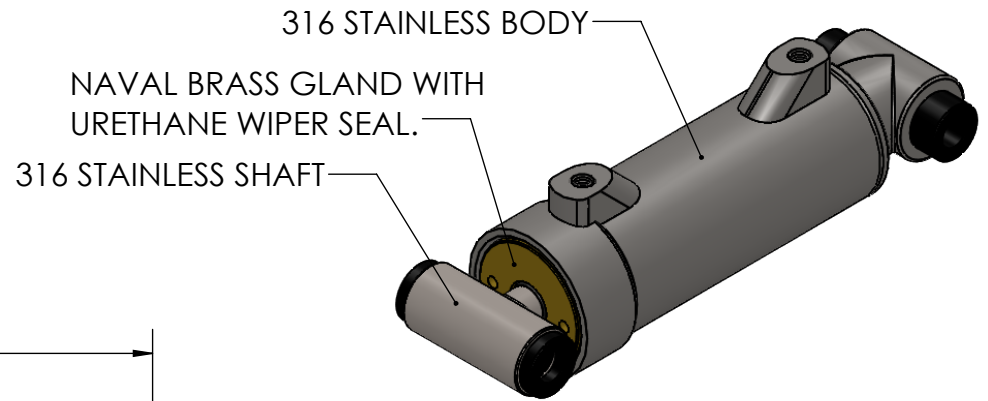
MAYFAIR PERFORMANCE

PART NO.
137-8000

TITLE:

GEN 1 TRIM RAM

www.mayfairperformance.com



THIS DRAWING IS CONFIDENTIAL AND IS SUPPLIED ON EXPRESS CONDITION THAT IT SHALL NOT BE LENT, COPIED OR DISCLOSED TO ANY OTHER PERSON OR USED FOR ANY OTHER PURPOSE WITHOUT WRITTEN CONSENT OF HARDIN MARINE INC.. BREACH OF THIS CONTRACT WILL HOLD AND IT'S PRINCIPALS LIABLE FOR LOSS AND DAMAGES.