

HARDIN
MARINE

11 Industry Dr. Palm Coast, FL 32137
386-445-2500 / FAX 386-445-1122

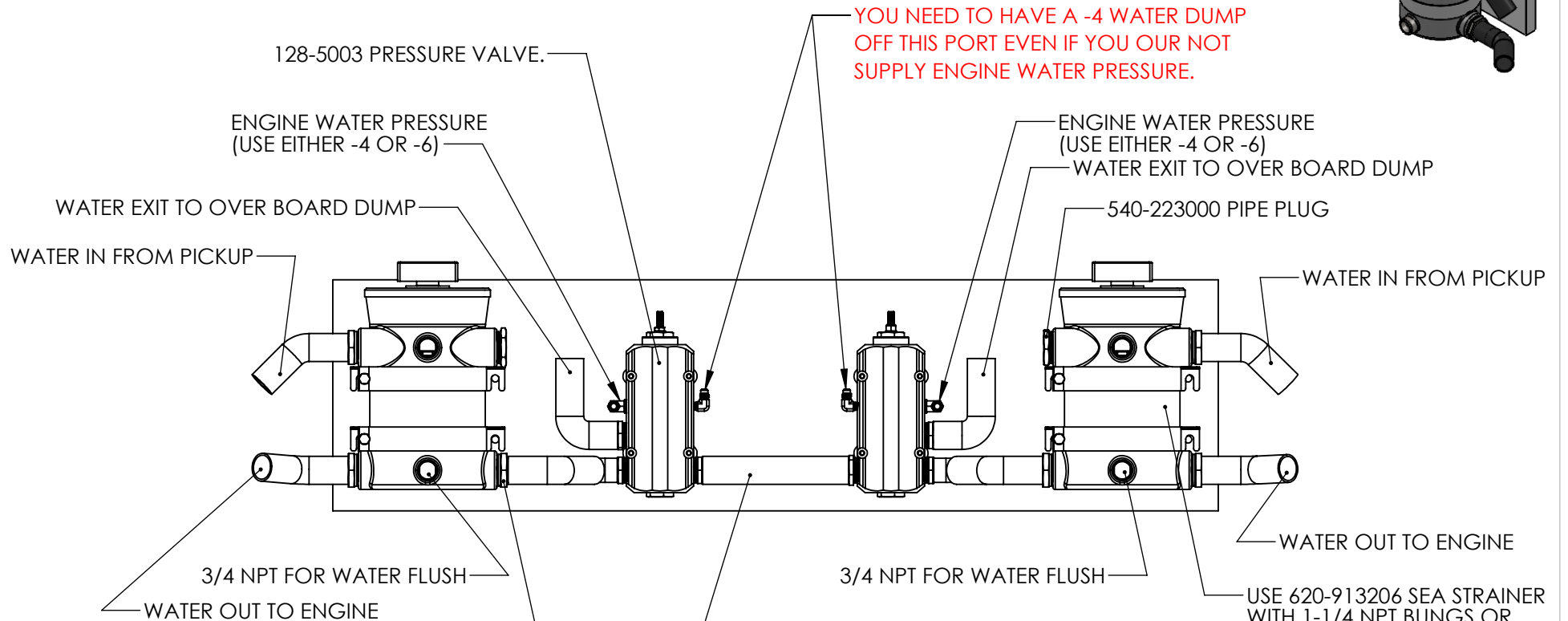
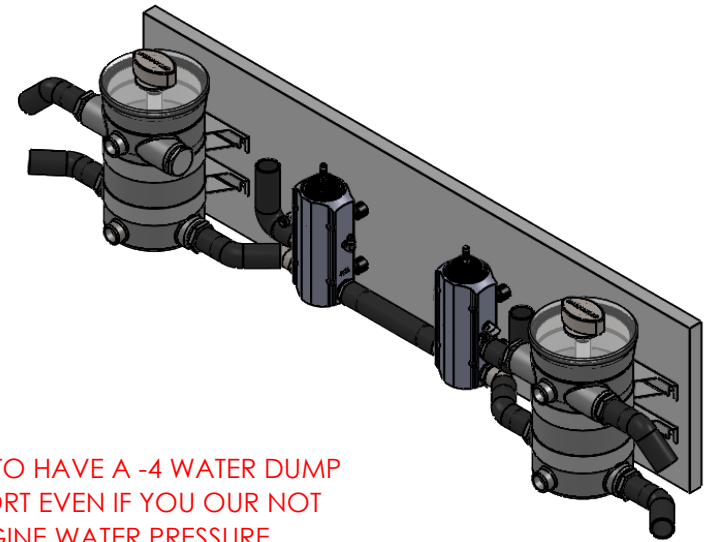
PART NO.

128-5003

TITLE: HP WATER PRESSURE RELIEF VALVE
INSTALLATION

REVISED 08/31/15

www.hardin-marine.com



FITTINGS:

- 540-222123 1 NPT TO 1 HOSE - STRAIGHT
- 540-222124 1 NPT TO 1 HOSE - 90°
- 540-222151 1 NPT TO 1-1/4 HOSE - STRAIGHT
- 540-222161 1 NPT TO 1-1/4 HOSE - 45°
- 540-222173 1 NPT TO 1-1/4 HOSE - 90°
- 540-222175 1-1/4 NPT TO 1-1/4 HOSE - STRAIGHT
- 540-222176 1-1/4 NPT TO 1-1/4 HOSE - 90°

RUN BALANCE HOSE BETWEEN 128-5003
WATER BLOW OFF VALVES. USE 1" HOSE FOR
WATER DUMP & BALANCE TUBE FOR UNDER
150 MPH. USE 1-1/4 HOSE FOR OVER 150 MPH.

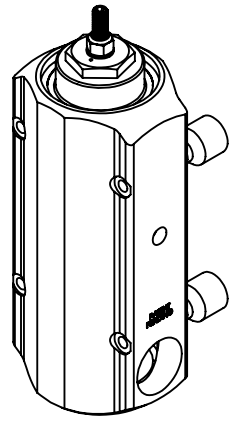
THIS DRAWING IS CONFIDENTIAL AND IS SUPPLIED ON EXPRESS CONDITION THAT IT SHALL NOT BE LENT, COPIED OR DISCLOSED TO ANY OTHER PERSON OR USED FOR ANY OTHER PURPOSE WITHOUT WRITTEN CONSENT OF HARDIN MARINE INC.. BREACH OF THIS CONTRACT WILL HOLD AND IT'S PRINCIPALS LIABLE FOR LOSS AND DAMAGES.

HARDIN MARINE 11 Industry Dr. Palm Coast, FL 32137
386-445-2500 / FAX 386-445-1122

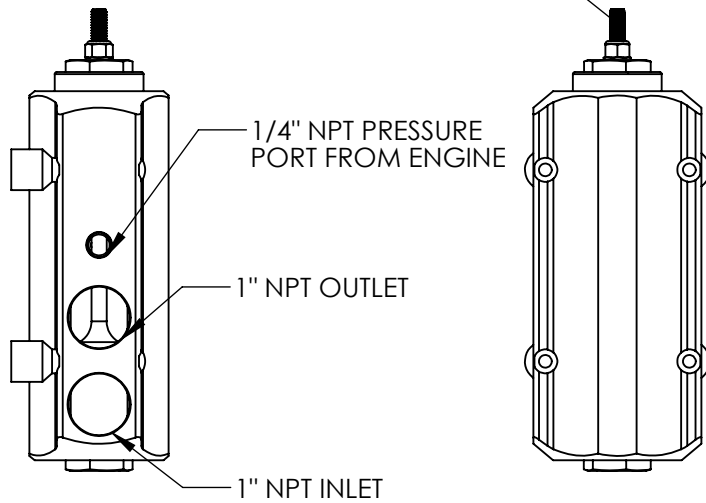
PART NO.
128-5003

TITLE:
PRESSURE RELIEF VALVE

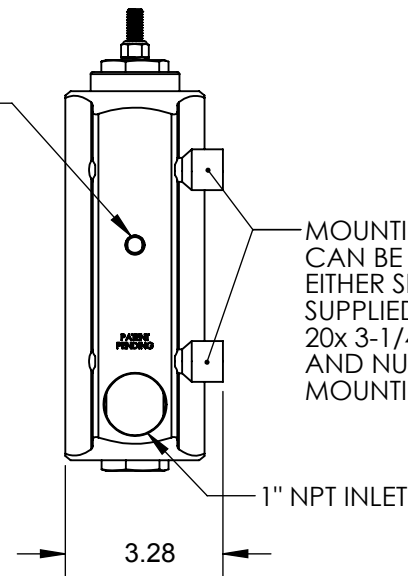
REVISED 08/31/15



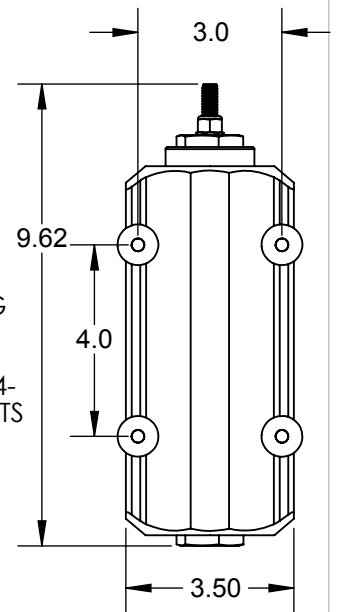
PRESSURE VALVE IS
ADJUSTABLE FROM
7PSI TO 40 PSI. 1
REVOLUTION OF SET
SCREW IS 4 LBS. OF
SPRING PRESSURE.



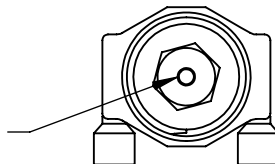
1/8 NPT SENDER PORT
TO MEASURE ENGINE
WATER PRESSURE.



MOUNTING BUSHING
CAN BE USED ON
EITHER SIDE. UNIT IS
SUPPLIED WITH (4) 1/4-
20x 3-1/4 LONG BOLTS
AND NUTS FOR
MOUNTING.



1/8 NPT SENDER PORT
TO MEASURE OUTLET
WATER PRESSURE.



THIS DRAWING IS CONFIDENTIAL AND IS SUPPLIED ON EXPRESS CONDITION THAT IT SHALL NOT BE LENT, COPIED OR DISCLOSED TO ANY OTHER PERSON OR USED FOR ANY OTHER PURPOSE WITHOUT WRITTEN CONSENT OF HARDIN MARINE INC.. BREACH OF THIS CONTRACT WILL HOLD AND IT'S PRINCIPALS LIABLE FOR LOSS AND DAMAGES.