

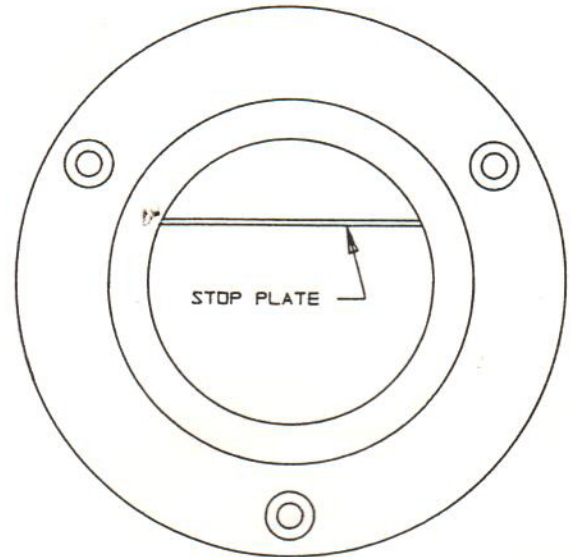


COMPOSITE THRU TRANSOM 4" EXHAUST TIPS

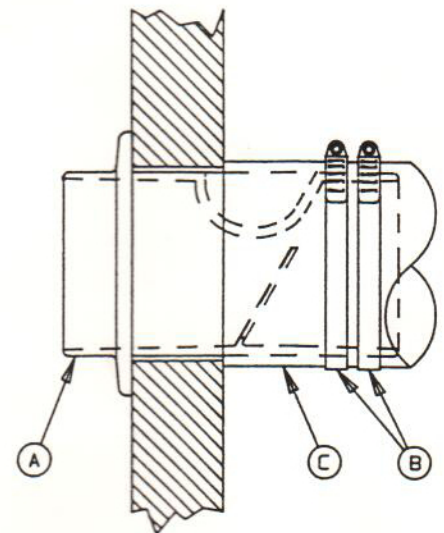
P/N	DESCRIPTION	QTY
SEE DATA SHEET FOR PART NUMBER	EXHAUST TIPS	2
	INSTRUCTIONS AND TEMPLATE	1
* * *	REPLACEMENT PARTS-OPTIONAL	***
	FLAPPER & HARDWARE KIT	1

1. DETERMINE APPROPRIATE LOCATION ON TRANSOM FOR EXHAUST TIPS (LOCATIONS MAY VARY DUE TO LAYOUT OF YOUR EXHAUST SYSTEM).
2. INSPECT THE INSIDE OF TRANSOM TO ENSURE THAT THERE ARE NO OBSTRUCTIONS IN THE AREA WHERE THE HOLE WILL BE DRILLED.
3. USE THE TEMPLATE INCLUDED IN THIS INSTRUCTION SHEET TO LAYOUT THE PATTERN FOR CUTTING AND DRILLING HOLES
4. CUT AND DRILL HOLES ACCORDING TO SPECIFICATIONS LISTED ON TEMPLATE. BE SURE HOLES ARE DRILLED STRAIGHT.
5. SEAL INSIDE EDGES OF OPENING WITH A SUITABLE SEALANT TO PREVENT WATER ABSORPTION AND DETERIORATION.

6. INSTALL EXHAUST TIPS INTO HOLES. ORIENT TIPS WITH INTERNAL STOP PLATE ON TOP (NOTE "THIS SIDE UP" STICKER). SEAL GAP BETWEEN TRANSOM OPENING AND PIPE WITH A SUITABLE MARINE SEALANT.



7. SECURE TIPS WITH: #14X3/4 STAINLESS STEEL PAN HEAD WOOD SCREWS. (INCLUDED)
8. CONNECT EXHAUST HOSES TO EXHAUST TIPS AND SECURE EACH HOSE WITH TWO HOSE CLAMPS. HOSE CLAMPS SHOULD BE POSITIONED AS SHOWN BELOW.



A-EXHAUST TIP
B-HOSE CLAMP
C-EXHAUST HOSE

