

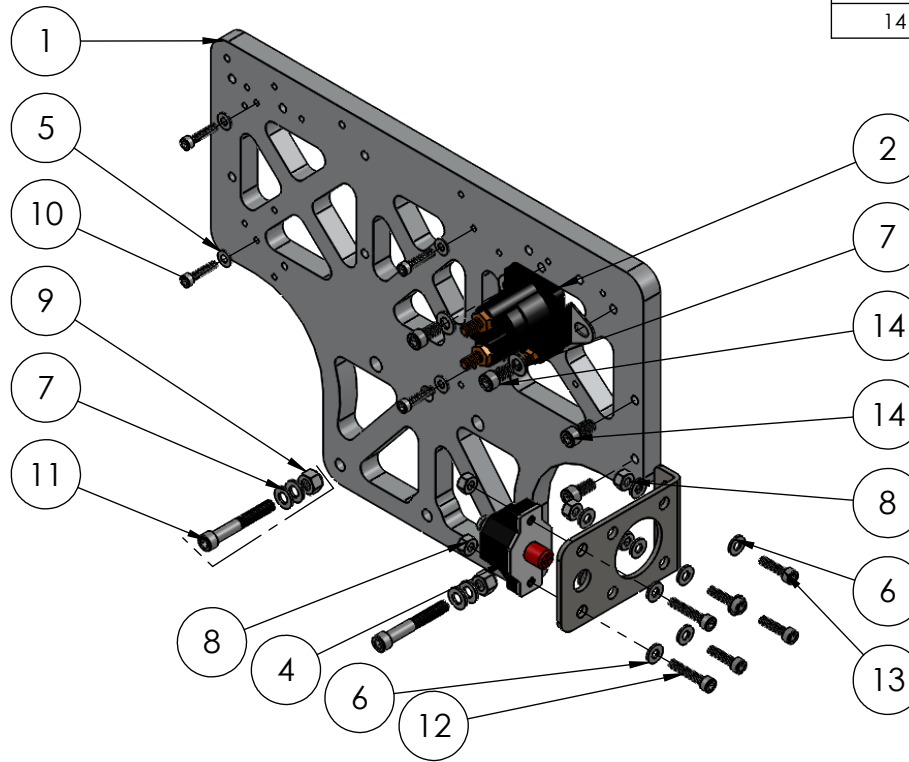
HARDIN MARINE 11 Industry Dr. Palm Coast, FL 32137
386-445-2500 / FAX 386-445-1122

PART NO.
755-3557

TITLE: BRAVO MOUNT IGNITION BRACKET
- PARTS BREAKDOWN

www.hardin-marine.com

ITEM NO.	PART NUMBER	DESCRIPTION	QTY.
1	755-3519	BRACKET, BRAVO IGNITION	1
2	137-8081	RELAY, VERTICAL POSTIVE	1
3	755-3507	BRACKET, CANNON PLUG	1
4	755-3514	BREAKER, 50 AMP	1
5	90008AN-STSS	WASHER, #8 AN	4
6	90010AN-STSS	WASHER, #10 AN	10
7	90025AN-STSS	WASHER, 1/4 AN	6
8	90010CN-FNSS	NUT, 10-24	6
9	90025CN-FNSS	NUT, 1/4-20	2
10	90008C075SHS	BOLT, SHCS, 08-32 x 3/4	4
11	90025C175SHS	BOLT, 1/4-20	2
12	90010C100SHS	BOLT, SHCS, 10-24x1.00	2
13	90010C075SHS	BOLT, SHCS, 10-24x3/4	4
14	90025C050SHS	BOLT, SHCS, 1/4-20x.50	4



THIS DRAWING IS CONFIDENTIAL AND IS SUPPLIED ON EXPRESS CONDITION THAT IT SHALL NOT BE LENT, COPIED OR DISCLOSED TO ANY OTHER PERSON OR USED FOR ANY OTHER PURPOSE WITHOUT WRITTEN CONSENT OF HARDIN MARINE INC.. BREACH OF THIS CONTRACT WILL HOLD AND IT'S PRINCIPALS LIABLE FOR LOSS AND DAMAGES.

HARDIN MARINE 11 Industry Dr. Palm Coast, FL 32137
386-445-2500 / FAX 386-445-1122

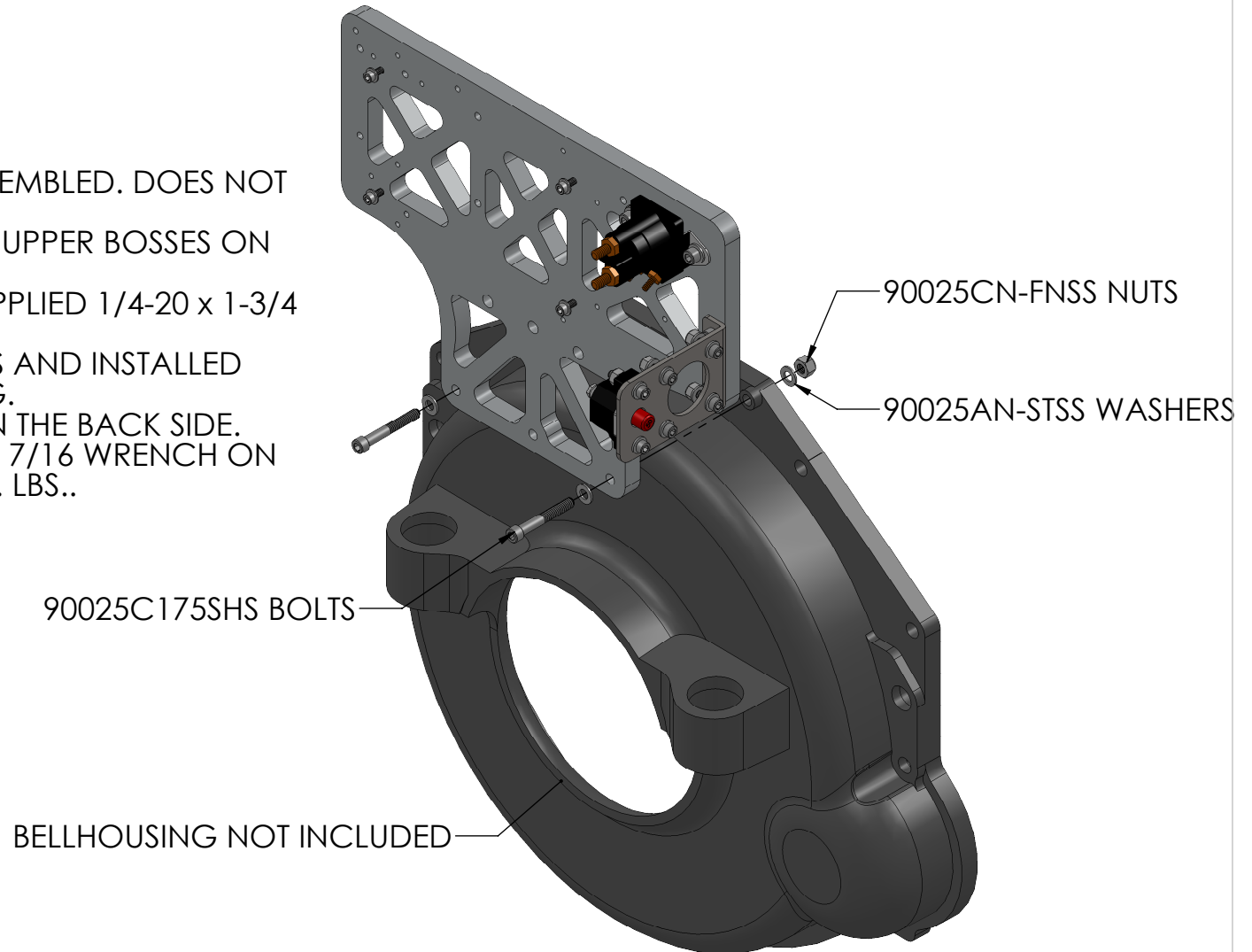
PART NO.
755-3557

TITLE: BRAVO IGNITION BRACKET
INSTALLATION INSTRUCTIONS

www.hardin-marine.com

INSTALLATION INSTRUCTIONS:

- 1) BRACKET COMES FULLY ASSEMBLED. DOES NOT INCLUDED THE BELLHOUSING.
- 2) BRACKET MOUNTS TO THE 2 UPPER BOSSES ON THE BELLHOUSING, FIG. A.
- 3) APPLY ANTI SEIZE TO THE SUPPLIED 1/4-20 x 1-3/4 BOLTS, FIG. B.
- 4) SLIDE WASHERS OVER BOLTS AND INSTALLED BRACKET TO THE BELLHOUSING.
- 5) USE WASHERS AND NUTS ON THE BACK SIDE.
- 6) USE A 1/4 HEX SOCKET WITH 7/16 WRENCH ON THE NUTS TO TORQUE TO 80 IN. LBS..



HARDIN
MARINE

11 Industry Dr. Palm Coast, FL 32137
386-445-2500 / FAX 386-445-1122

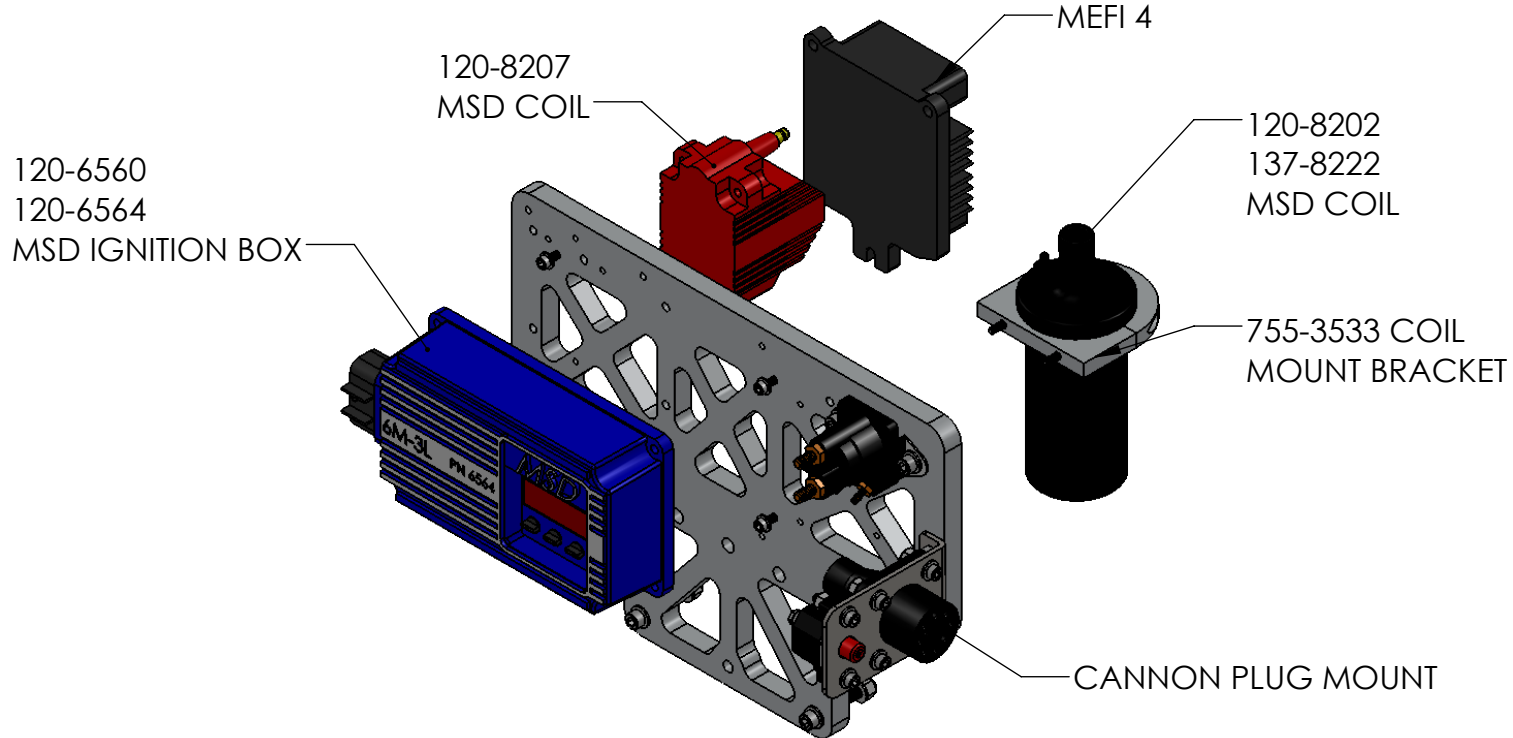
PART NO.

755-3557

TITLE:

BRAVO IGNITION BRACKET

www.hardin-marine.com

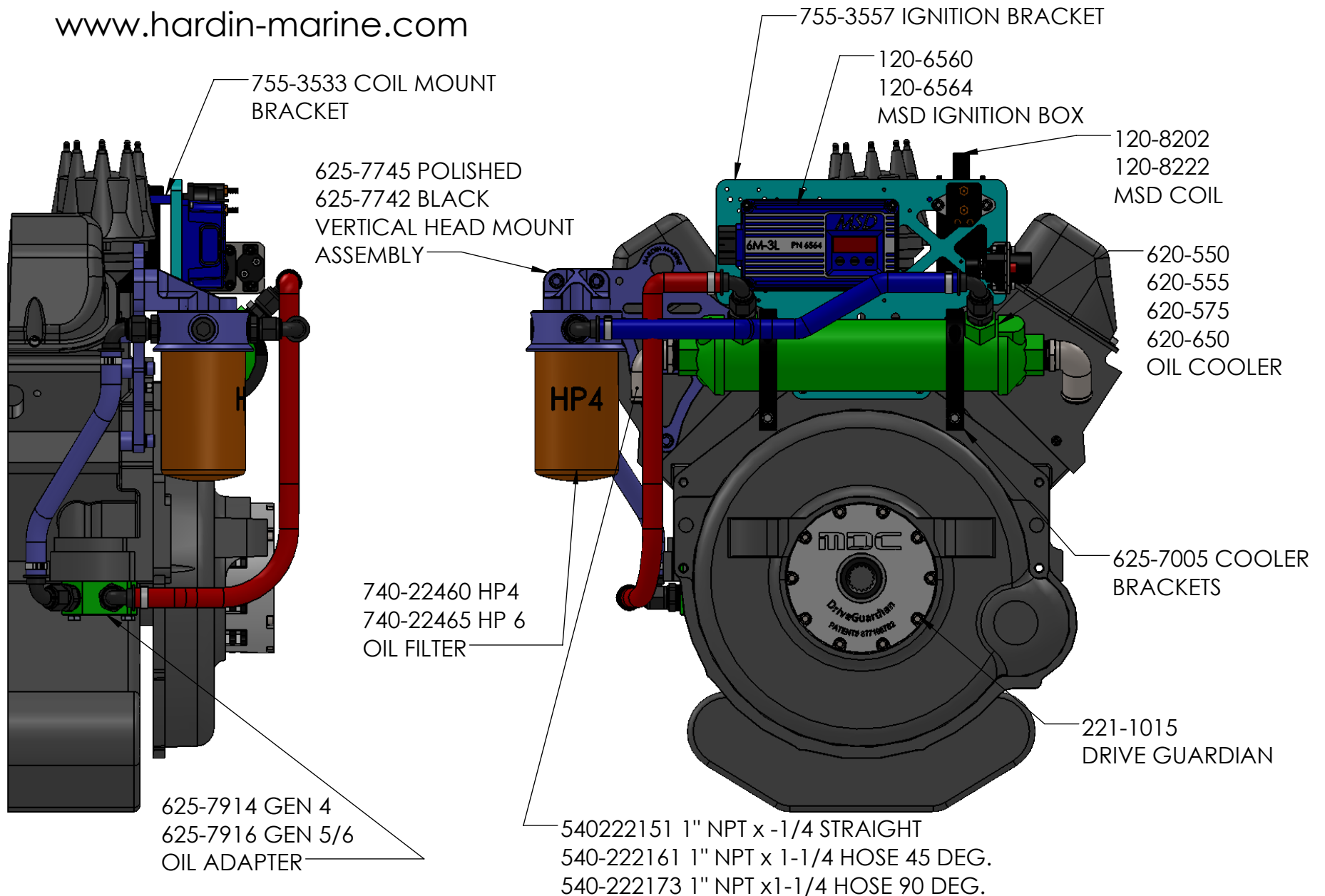


THESE ARE THE PARTS THAT CAN MOUNT TO THE BRACKET

TITLE:

BRAVO IGNITION BRACKET-INSTALLED

www.hardin-marine.com



HARDIN
MARINE

11 Industry Dr. Palm Coast, FL 32137
386-445-2500 / FAX 386-445-1122

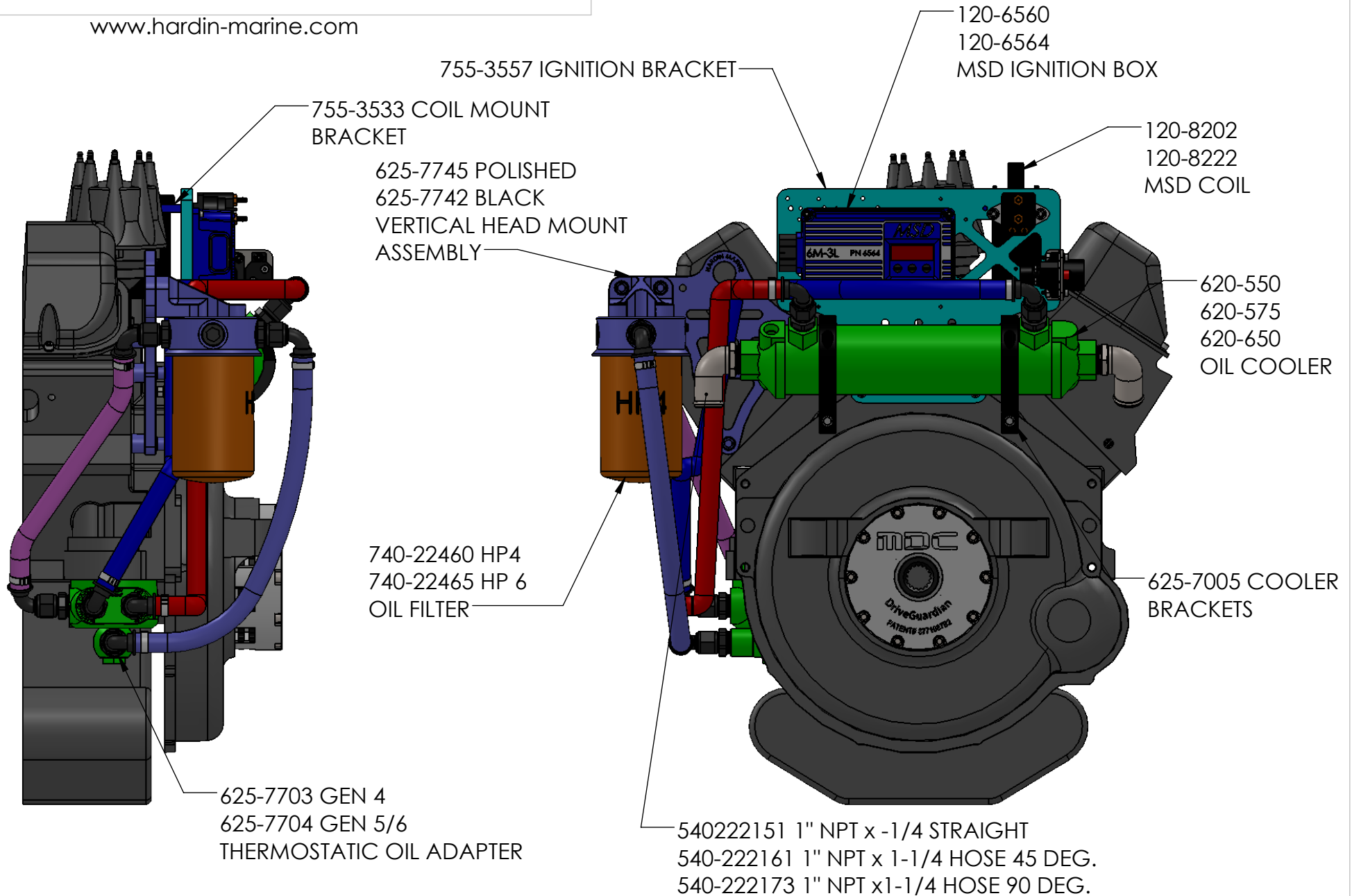
PART NO.

755-3557

TITLE:

BRAVO IGNITION BRACKET

www.hardin-marine.com



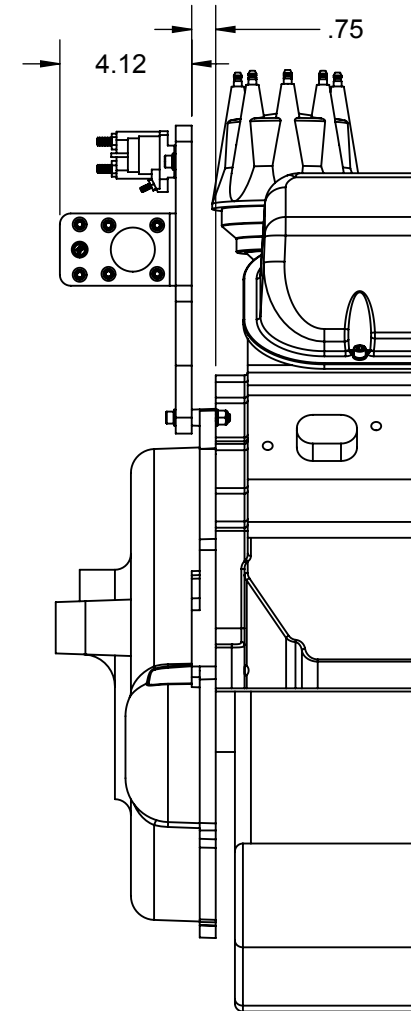
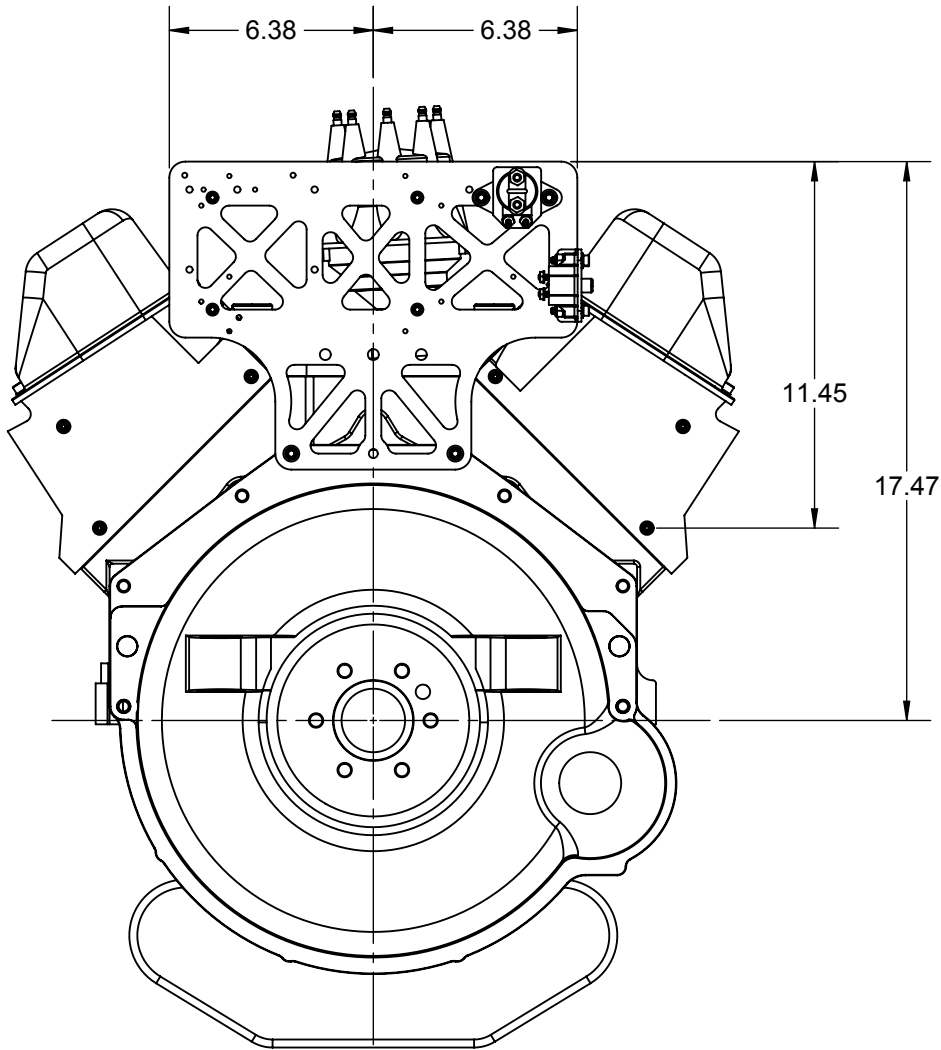
THIS DRAWING IS CONFIDENTIAL AND IS SUPPLIED ON EXPRESS CONDITION THAT IT SHALL NOT BE LENT, COPIED OR DISCLOSED TO ANY OTHER PERSON OR USED FOR ANY OTHER PURPOSE WITHOUT WRITTEN CONSENT OF HARDIN MARINE INC.. BREACH OF THIS CONTRACT WILL HOLD AND IT'S PRINCIPALS LIABLE FOR LOSS AND DAMAGES.

HARDIN MARINE 11 Industry Dr. Palm Coast, FL 32137
386-445-2500 / FAX 386-445-1122

PART NO.
755-3557

TITLE:
BRAVO IGNITION BRACKET-DIMENSIONS

www.hardin-marine.com



THIS DRAWING IS CONFIDENTIAL AND IS SUPPLIED ON EXPRESS CONDITION THAT IT SHALL NOT BE LENT, COPIED OR DISCLOSED TO ANY OTHER PERSON OR USED FOR ANY OTHER PURPOSE WITHOUT WRITTEN CONSENT OF HARDIN MARINE INC.. BREACH OF THIS CONTRACT WILL HOLD AND IT'S PRINCIPALS LIABLE FOR LOSS AND DAMAGES.