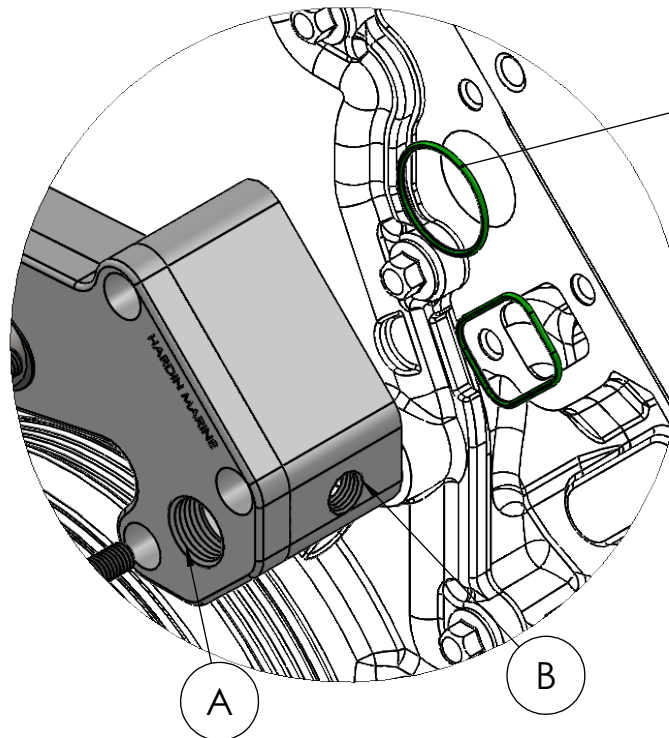
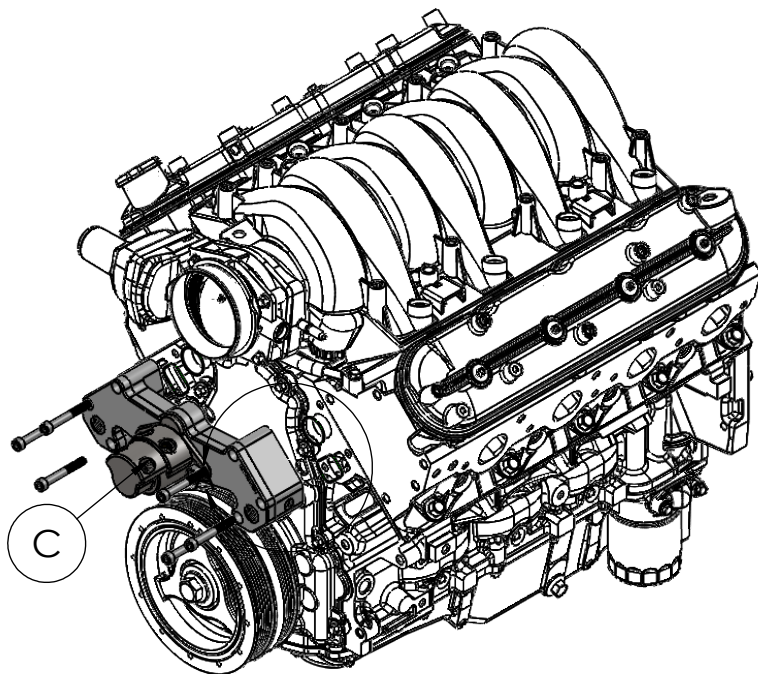


HARDIN MARINE 11 Industry Dr. Palm Coast, FL 32137
386-445-2500 / FAX 386-445-1122

PART NO.
625-4535

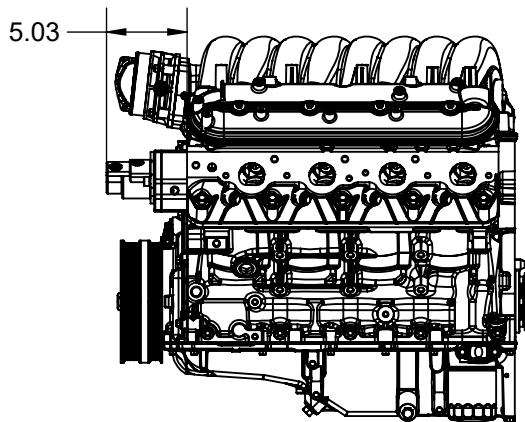
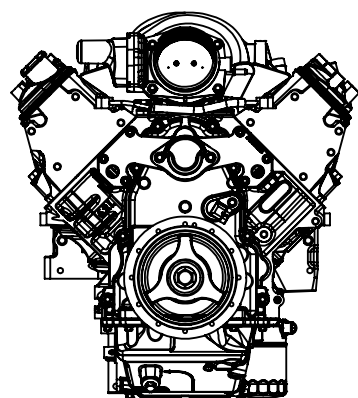
TITLE:
LS CROSSOVER w/THERMOSTAT

www.hardin-marine.com



625-1025 ORINGS.
BOTTOM 625-1027
O-RING SHOWN
AS THE SAME
PROFILE AS
GROOVE THAT IT
IS GOING IN.
BOTH SIDES ARE
THE SAME.

DETAIL A
SCALE 1 : 2



INSTALLATION INSTRUCTIONS:

- 1) CROSSOVER COMES PREASSEMBLED FROM THE FACTORY WITH 160° THERMOSTAT.
- 2) APPLY GREASE TO THE (2)625-1025 & (2)625-1027 O-RINGS. INSTALL O-RINGS INTO THE MACHINED GROOVES IN THE CROSSOVER. DETAIL A SHOWS POSITION.
- 3) INSTALL BOLTS INTO CROSSOVER AND SCREW INTO THE BLOCK. TORQUE BOLTS TO 20-25 FT. LBS..
- 4) FIG, A SHOWS 1/2 NPT WATER INLET BUNGS ON BOTH SIDES OF THE CROSSOVER.
- 5) FIG B SHOWS 1/4 NPT WATER RETURN FROM CYLINDER HEAD PORTS. 1/4 NPT PORTS ARE ON BOTH SIDES.
- 6) FIG C SHOWS 1/2 NPT PORTS IN THERMOSTAT HOUSING. SEE 625-4535 PLUMBING DIAGRAM FOR PROPER HOSE ROUTING.

THIS DRAWING IS CONFIDENTIAL AND IS SUPPLIED ON EXPRESS CONDITION THAT IT SHALL NOT BE LENT, COPIED OR DISCLOSED TO ANY OTHER PERSON OR USED FOR ANY OTHER PURPOSE WITHOUT WRITTEN CONSENT OF HARDIN MARINE INC.. BREACH OF THIS CONTRACT WILL HOLD AND IT'S PRINCIPALS LIABLE FOR LOSS AND DAMAGES.

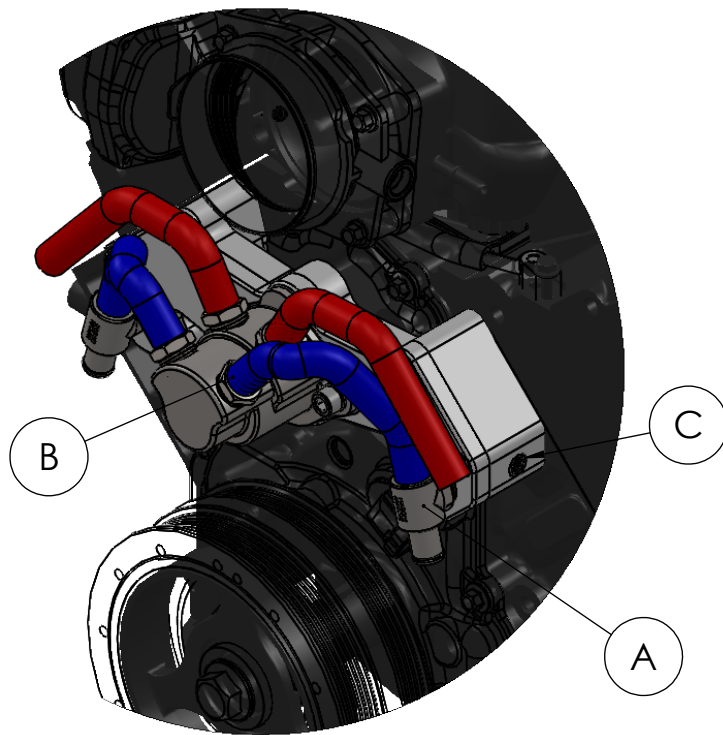
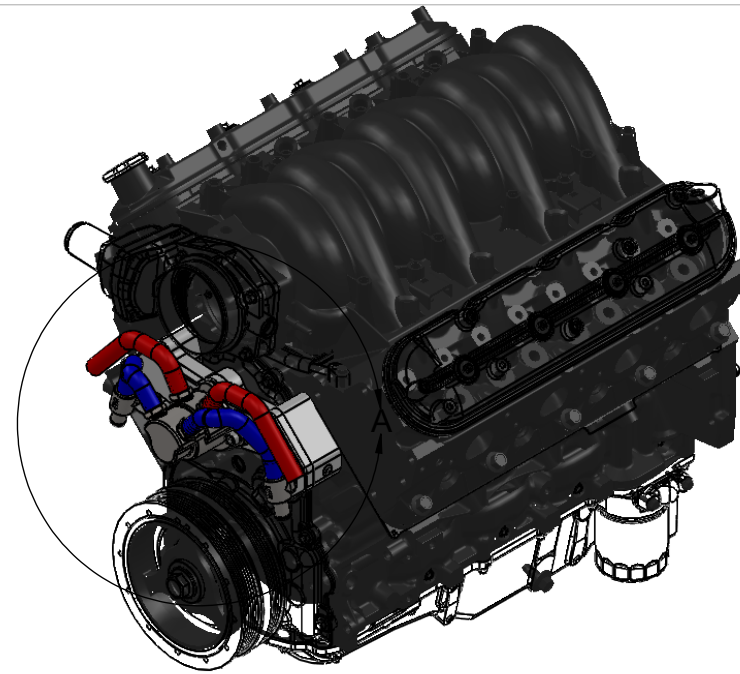
HARDIN MARINE 11 Industry Dr. Palm Coast, FL 32137
386-445-2500 / FAX 386-445-1122

PART NO.
625-4535

TITLE:

LS CROSSOVER - PLUMBING DIAGRAM

www.hardin-marine.com



DETAIL A
SCALE 1 : 4

PLUMBING INSTRUCTIONS:

- 1) FRESH WATER ENTERS THE FRONT OF THE BILLET CROSSOVER ASSEMBLY THROUGH THE FRONT 1/2" NPT PORTS, FIG A AND CONTINUES TO FORWARD MOST HOLES (FURTHEST FROM ENGINE BLOCK) IN THE THERMOSTAT HOUSING, FIG B. "T" FITTINGS WILL BE REQUIRED TO MAKE THESE CONNECTIONS AND ARE SOLD SEPARATELY. EXAMPLE: 5/8" X 5/8" X 1/2" NPT TEE #540-160109 EACH QTY (2) REQUIRED. THERMOSTAT HOUSING FITTINGS ARE AVAILABLE 1/2" NPT X 5/8" (#540-222106) HOSE FITTINGS SOLD SEPARATELY (4 REQUIRED).
- 2) COOLING SYSTEM WATER DISCHARGE ALSO KNOWN AS WATER EXITING THE ENGINE WILL LEAVE THROUGH THE TWO 1/2" NPT HOLES IN THE THERMOSTAT HOUSING THAT ARE CLOSEST TO THE ENGINE BLOCK. THIS DISCHARGE WATER SHOULD BE PLUMBED EITHER TO THE EXHAUST SYSTEM FOR COOLING OR OVERBOARD DEPENDING ON THE APPLICATION.
- 3) ON BOTH SIDES OF THE BILLET CROSSOVER ASSEMBLY THERE ARE 1/4" NPT FEMALE THREADED PORTS, FIG C. THE PORTS ARE DESIGNED TO RECEIVE THE WATER EXIT OR DISCHARGE FROM THE CYLINDER HEAD STEAM VENT HOLES.

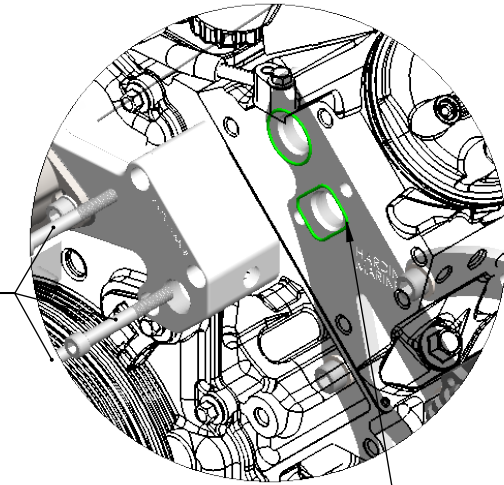
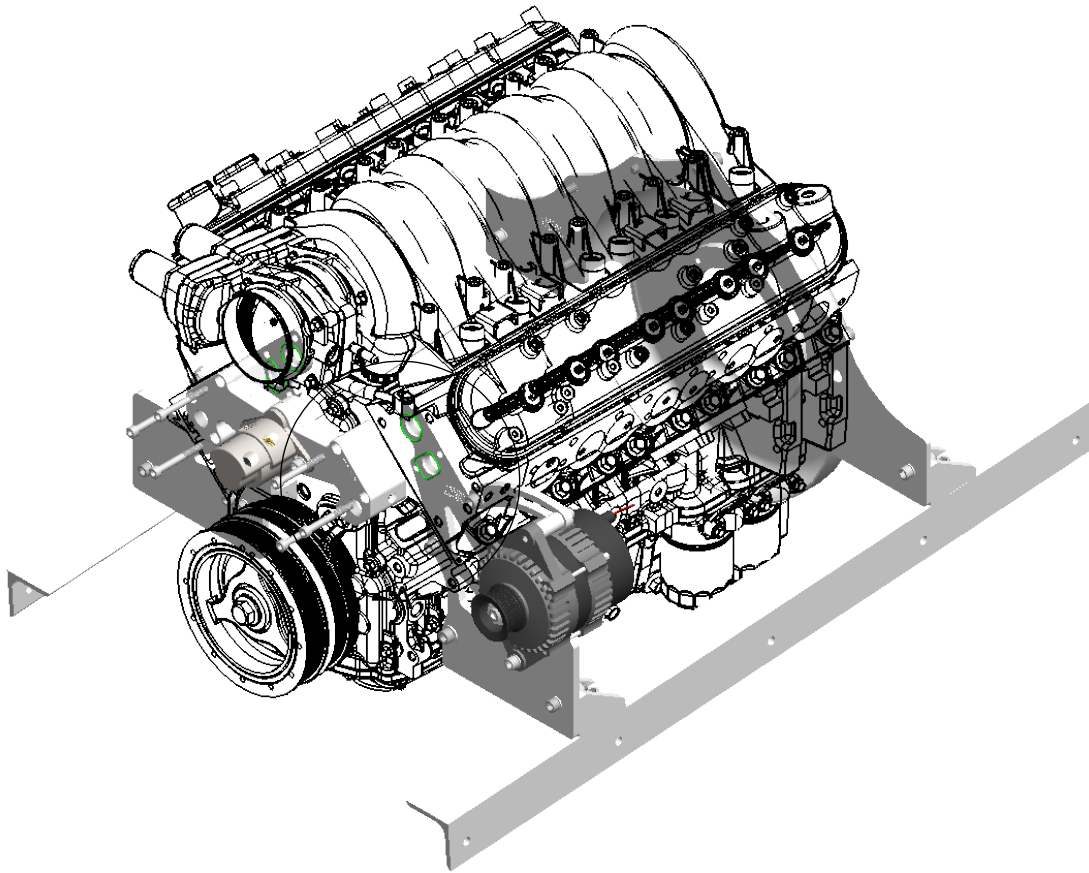
HARDIN MARINE 11 Industry Dr. Palm Coast, FL 32137
386-445-2500 / FAX 386-445-1122

PART NO.
625-4535

TITLE: 625-4535 CROSSOVER w/ 625-8536
ENGINE MOUNT

www.hardin-marine.com

NEED TO PURCHASE SEPARATELY,
(6) 900M08C065SHS BOLTS, TO MOUNT
CROSSOVER TO ENGINE MOUNT.



DETAIL A
SCALE 1 : 4

625-1026
O-RINGS

INSTALLATION INSTRUCTIONS:

- 1) FOLLOW 625-8536 INSTRUCTIONS FOR ENGINE MOUNT INSTALLATION.
- 2) NEED TO PURCHASE (6) 900M08C065SHS BOLTS TO MOUNT CROSSOVER.
- 3) APPLY GREASE TO THE (4) 625-1026 O-RINGS. INSTALL IN THE GROOVES IN THE CROSSOVER. DETAIL A, SHOWS THE O-RINGS GO BETWEEN THE MOUNTS AND THE CROSSOVER.
- 4) INSTALL THE (6) 900M08C065SHS BOLTS INTO CROSSOVER. TORQUE TO 20 TO 25 FT. LBS..
- 5) REFER TO 625-4535 PLUMBING DIAGRAM TO CONTINUE INSTALLATION.