

HARDIN
MARINE

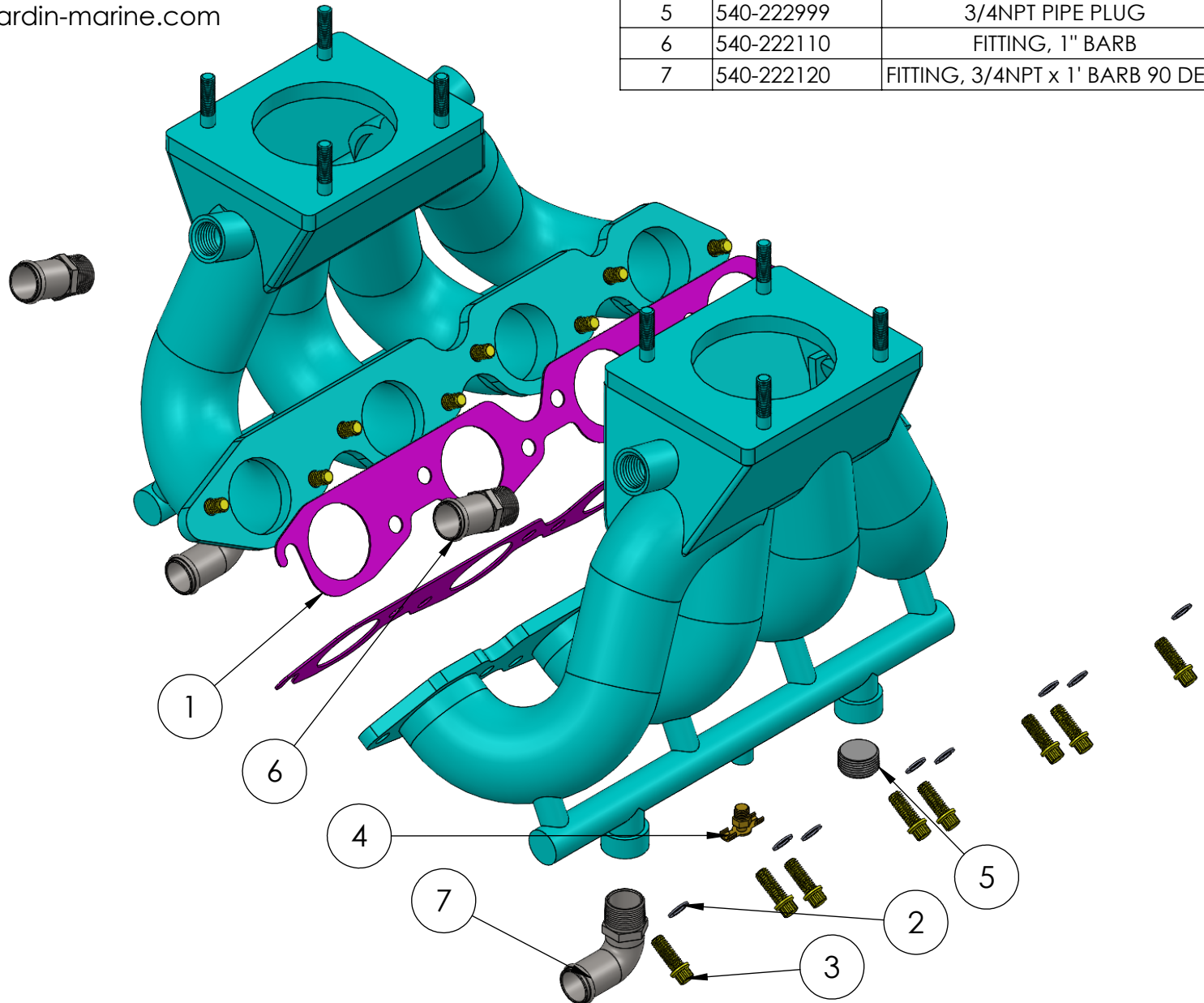
11 Industry Dr. Palm Coast, FL 32137
386-445-2500 / FAX 386-445-1122

PART NO.
620-32515

TITLE: CYCLONE HEADER INSTALL KIT-
PARTS BREAKDOWN

www.hardin-marine.com

ITEM NO.	PART NUMBER	DESCRIPTION	QTY.
1	300-1413	GASKET	1
2	90037AN-STSS	WASHER, 3/8 AN	16
3	90037C100HBZ	BOLT, HEADER	16
4	900-1000	DRAIN, 1/8 NPT	2
5	540-222999	3/4NPT PIPE PLUG	2
6	540-222110	FITTING, 1" BARB	2
7	540-222120	FITTING, 3/4NPT x 1" BARB 90 DEG	2



THIS DRAWING IS CONFIDENTIAL AND IS SUPPLIED ON EXPRESS CONDITION THAT IT SHALL NOT BE LENT, COPIED OR DISCLOSED TO ANY OTHER PERSON OR USED FOR ANY OTHER PURPOSE WITHOUT WRITTEN CONSENT OF HARDIN MARINE INC.. BREACH OF THIS CONTRACT WILL HOLD AND IT'S PRINCIPALS LIABLE FOR LOSS AND DAMAGES.

HARDIN
MARINE

11 Industry Dr. Palm Coast, FL 32137
386-445-2500 / FAX 386-445-1122

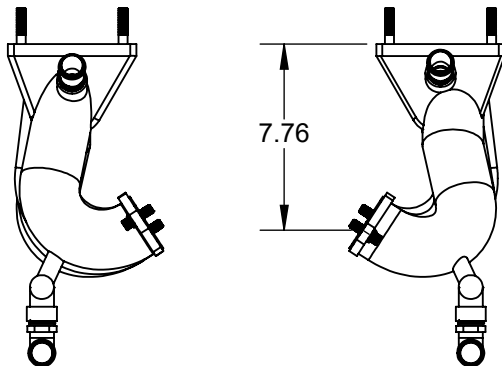
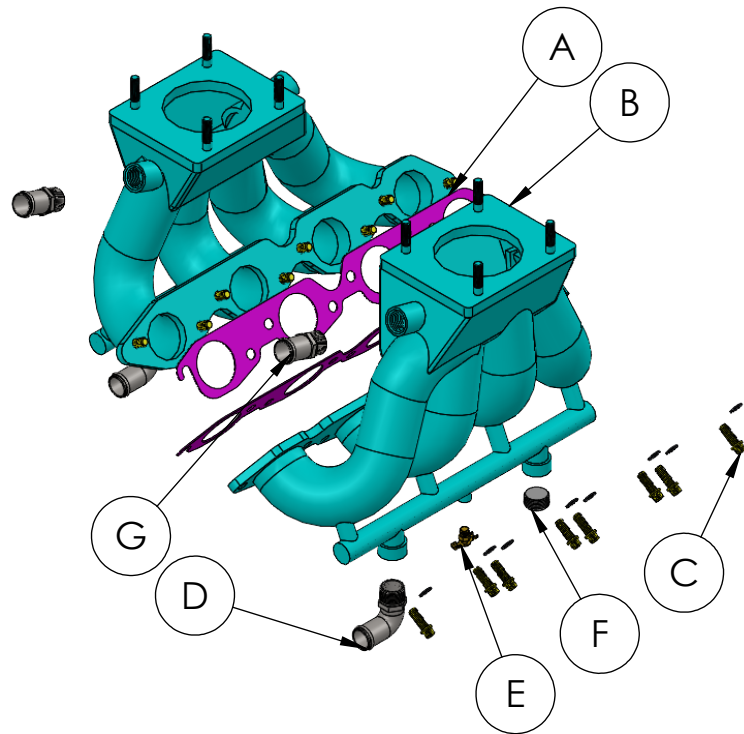
PART NO.

620-32515

TITLE:

CYCLONE HEADER INSTALLATION

www.hardin-marine.com



INSTALLATION INSTRUCTIONS:

- 1) MAKE SURE CYLINDER HEAD EXHAUST MOUNTING SURFACE IS FREE OF KNICKS AND ANY OLD GASKET MATERIAL IS REMOVED. SEALANT IS NOT REQUIRED ON THE NEW SUPPLIED GASKETS. FIG. A.
- 2) THE PORT AND STARBOARD MANIFOLDS ARE THE SAME PART AND CAN BE USED ON EITHER SIDE OF THE ENGINE. FIG. B.
- 3) INSTALL MANIFOLDS WITH THE SUPPLIED 3/8 BOLTS AND WASHERS. APPLY ANTI-SIEZE TO 3/8 MOUNTING BOLTS, FIG.C . USING 3/8 12 POINT SOCKET, TORQUE TO 30 FT. LBS..
- 4) APPLY LIQUID TEFLON SEALANT TO FITTINGS, PIPE PLUG AND DRAIN PLUG.
- 5) SIDE VIEW BELOW AND ISOMETRIC VIEW TO THE LEFT SHOWS PORT SIDE TYPICAL WATER INLET POSITION. USING 1-1/16 WRENCH, INSTALL 1" 90 DEGREE HOSE BARB FITTING INTO BOTTOM OF THE MANIFOLD.
- 5) INSTALL DRAIN PLUG, FIG. E, INTO THE CENTER OF THE DISTRIBUTION RAIL.
- 6) USING 9/16 ALLEN KEY, INSTALL 3/4" PIPE PLUG, FIG. F, INTO THE OPPOSITE WATER INLET BUNG.
- 7) USING 1-1/16 WRENCH, INSTALL 1" STRAIGHT HOSE BARB INTO THE HEAD, FIG. G.
- 8) ATTACH 1" WATER INLET HOSE FROM THERMOSTAT HOUSING TO FIG. E FITTINGS (MAKE SURE IT IS A CONSTANT FLOW WATER SUPPLY).
- 9) GO TO 620-32512 OR 620-32520 TAILPIPE INSTRUCTIONS TO COMPLETE INSTALLATION.

CAUTION HARDIN MARINE MANIFOLD SYSTEMS ARE DESIGNED FOR USE ON ENGINES WITH FULL TIME CONSTANT WATER CIRCULATION AT ALL TIMES. NOTE** AFTER APPROXIMATELY 2-5 HOURS USE OR NUMEROUS ENGINE HEAT CYCLES ALL HARDWARE MUST BE RETORQUED AND OR TIGHTENED.**

HARDIN
MARINE

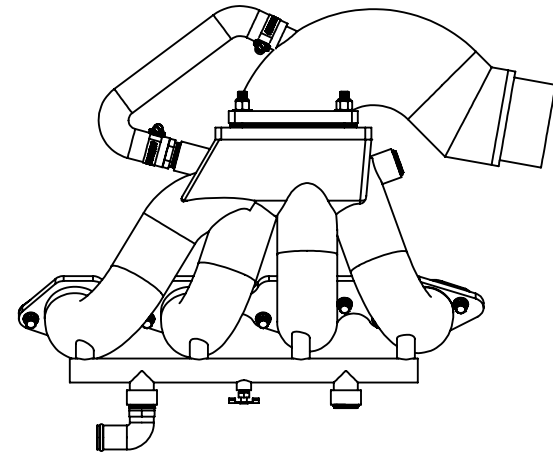
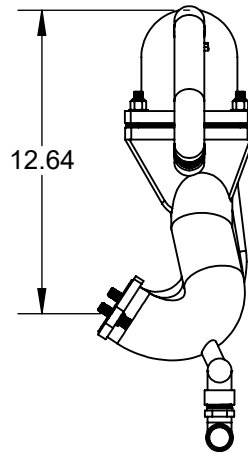
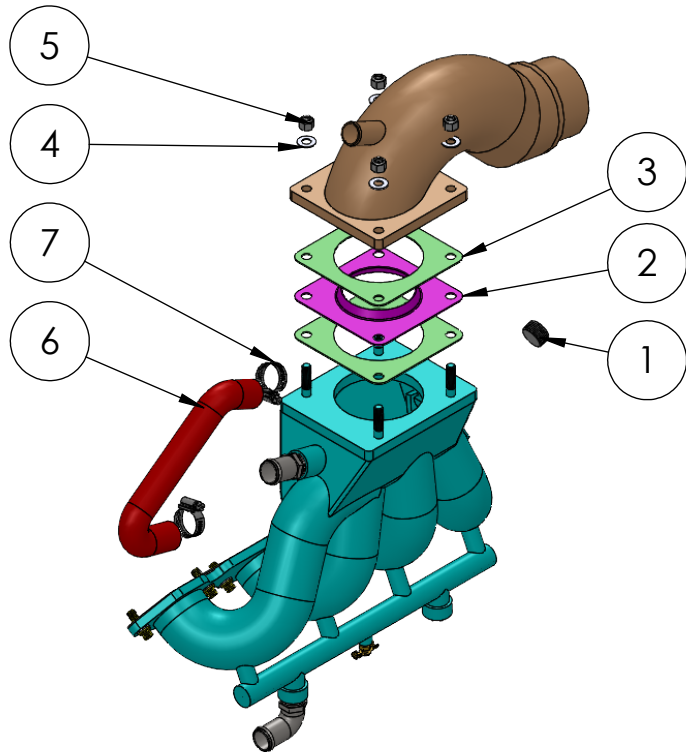
11 Industry Dr. Palm Coast, FL 32137
386-445-2500 / FAX 386-445-1122

PART NO.
620-32512

TITLE:

STD RISER INSTALL KIT

www.hardin-marine.com



ITEM NO.	PART NUMBER	DESCRIPTION	QTY.
1	540-222999	3/4NPT PIPE PLUG	1
2	420-907060	TURBULATOR	1
3	420-906321	GASKET, RISER	2
4	90037SA-STSS	WASHER, 3/8 SAE	4
5	90037CN-FNSS	NUT, 3/8-16	4
6	420-906500	HOSE, JUMP	1
7	100-720-6316	HOSE CLAMP	2

THIS DRAWING IS CONFIDENTIAL AND IS SUPPLIED ON EXPRESS CONDITION THAT IT SHALL NOT BE LENT, COPIED OR DISCLOSED TO ANY OTHER PERSON OR USED FOR ANY OTHER PURPOSE WITHOUT WRITTEN CONSENT OF HARDIN MARINE INC.. BREACH OF THIS CONTRACT WILL HOLD AND IT'S PRINCIPALS LIABLE FOR LOSS AND DAMAGES.

HARDIN
MARINE

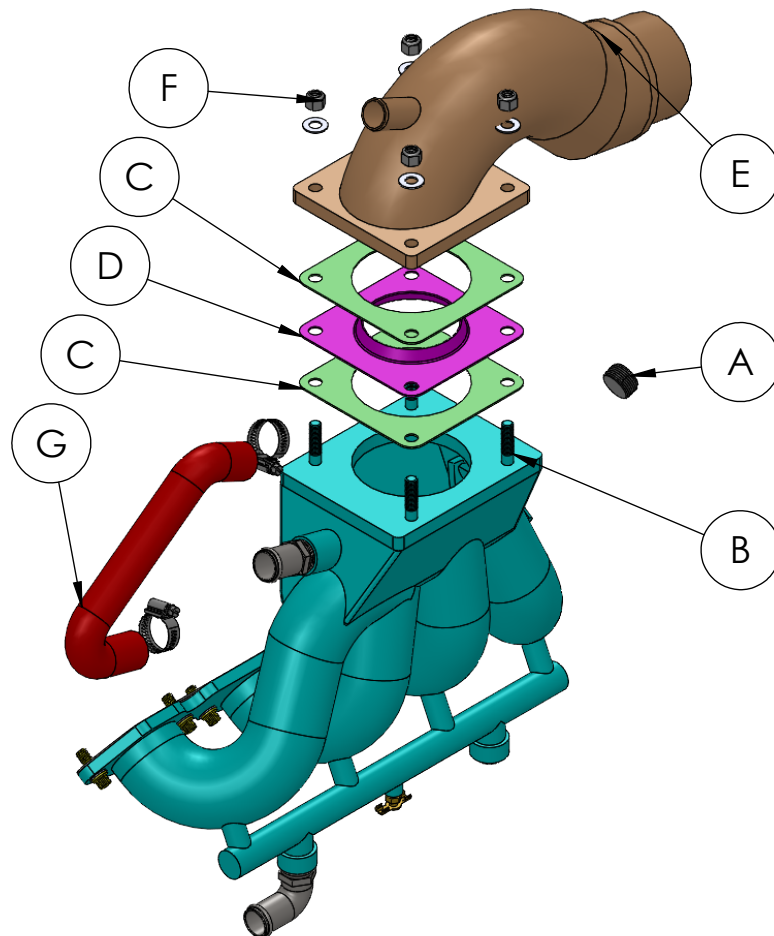
11 Industry Dr. Palm Coast, FL 32137
386-445-2500 / FAX 386-445-1122

PART NO.
620-32512

TITLE:

STD RISER INSTALL KIT

www.hardin-marine.com



PORT SIDE SHOWN, STRB IS MIRROR IMAGE.

INSTALLATION INSTRUCTIONS:

- 1) APPLY LIQUID THREAD SEALANT TO THE SUPPLIED 3/4 NPT PIPE PLUGS.
- 2) USING 9/16 ALLEN KEY, INSTALL 3/4NPT PIPE PLUGS INTO THE REAR OF THE MANIFOLDS, FIG.A.
- 3) APPLY ANTI-SIEZE TO THE 8 STUDS, FIG. B.
- 4) SLIDE RISER GASKET, FIG. C & TURBULATORS, FIG. D, OVER STUDS. DO NOT USE ANY SEALANT ON THE GASKETS OR TURBULATORS. AS SHOWN, THE TURBULATOR IS BETWEEN THE 2 GASKETS.
- 5) INSTALL RISERS, FIG. E.
- 6) IF YOU ARE INSTALLING 620-32505 SHIFT BRACKET AND 620-32500 OIL FILTER RELOCATION BRACKET, INSTALL THEM NOW. USE THE INSTRUCTIONS THAT CAME WITH THOSE KITS.
- 7) INSTALL WASHERS AND NUTS, FIG F. USING 9/16 SOCKET, TORQUE TO 30 FT. LBS..
- 8) INSTALL JUMPER HOSE AND HOSE CLAMPS, FIG.G. IF USING WITH FULL CLOSED COOLING KIT, THE JUMPER HOSE IS NOT USED. SEE FULL CLOSED COOLING KIT INSTRUCTIONS.

CAUTION HARDIN MARINE MANIFOLD SYSTEMS ARE DESIGNED FOR USE ON ENGINES WITH FULL TIME CONSTANT WATER CIRCULATION AT ALL TIMES.**
NOTE AFTER APPROXIMATELY 2-5 HOURS USE OR NUMEROUS ENGINE HEAT CYCLES ALL HARDWARE MUST BE RETORQUED AND OR TIGHTENED.**

HARDIN
MARINE

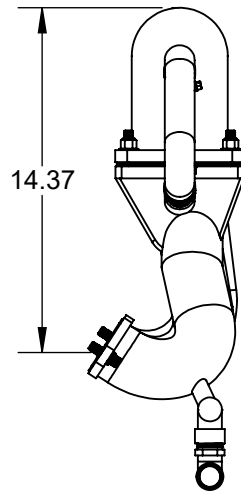
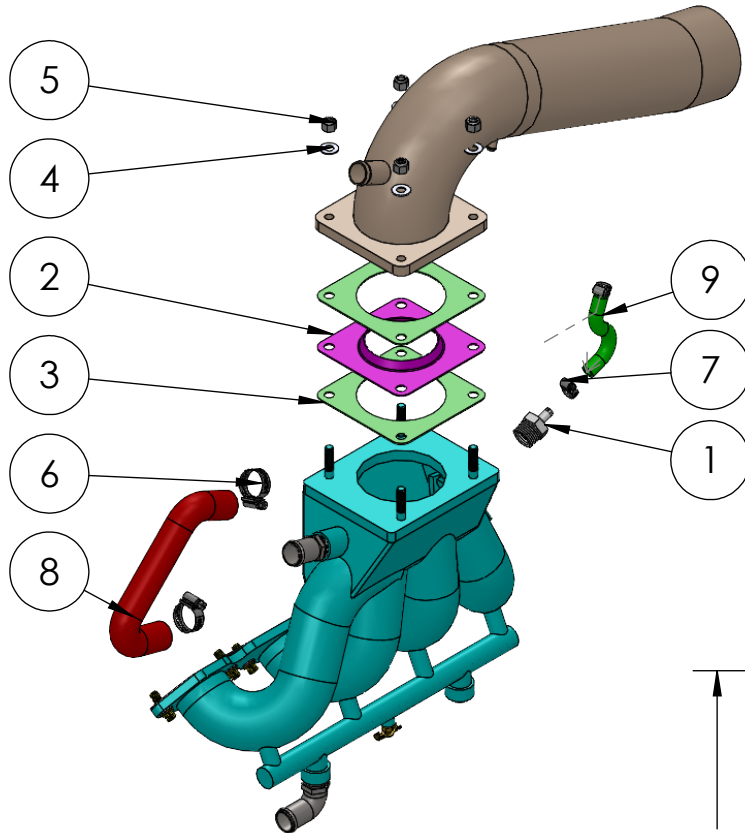
11 Industry Dr. Palm Coast, FL 32137
386-445-2500 / FAX 386-445-1122

PART NO.
620-32520

TITLE:

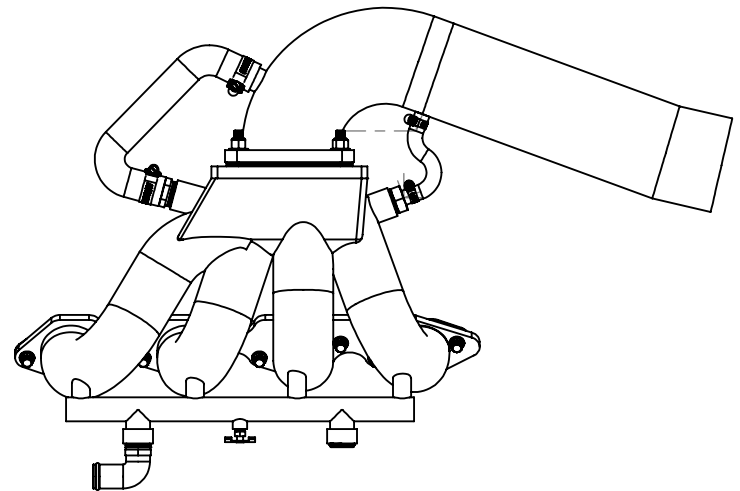
HP RISER INSTALL KIT

www.hardin-marine.com



ITEM NO.	PART NUMBER	DESCRIPTION	QTY.
1	420-910331	FITTING, STEAM	1
2	420-907060	TURBULATOR	1
3	420-906321	GASKET, RISER	2
4	90037SA-STSS	WASHER, 3/8 SAE	4
5	90037CN-FNSS	NUT, 3/8-16	4
6	100-720-6316	HOSE CLAMP	2
7	100-720-6306	HOSE CLAMP	2
8	420-906500	HOSE, JUMP	1
9	100350-0383	HOSE, 3/8	1

#9 100350-0383 HOSE IS NOT MOLDED LIKE SHOWN.



THIS DRAWING IS CONFIDENTIAL AND IS SUPPLIED ON EXPRESS CONDITION THAT IT SHALL NOT BE LENT, COPIED OR DISCLOSED TO ANY OTHER PERSON OR USED FOR ANY OTHER PURPOSE WITHOUT WRITTEN CONSENT OF HARDIN MARINE INC.. BREACH OF THIS CONTRACT WILL HOLD AND IT'S PRINCIPALS LIABLE FOR LOSS AND DAMAGES.

HARDIN
MARINE

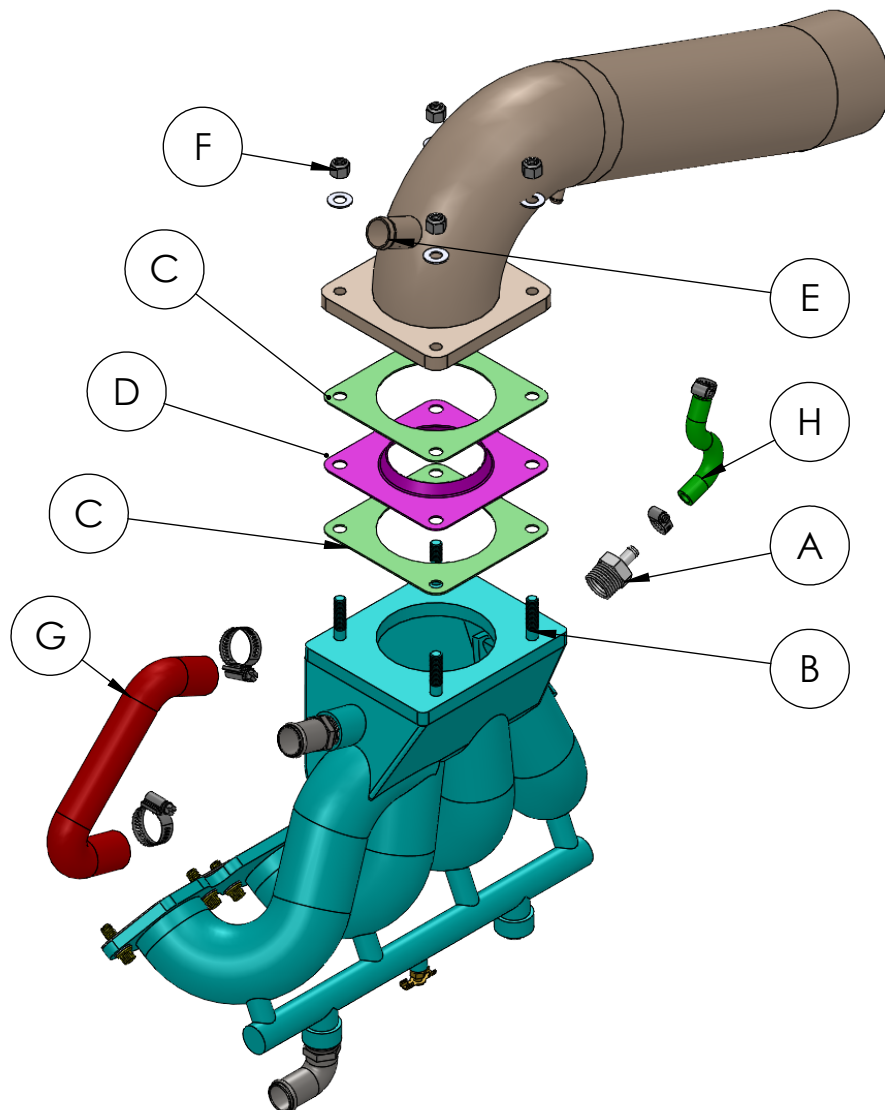
11 Industry Dr. Palm Coast, FL 32137
386-445-2500 / FAX 386-445-1122

PART NO.
620-32520

TITLE:

HP RISER INSTALL KIT

www.hardin-marine.com



PORT SIDE SHOWN, STRB IS MIRROR IMAGE.

INSTALLATION INSTRUCTIONS:

- 1) APPLY LIQUID THREAD SEALANT TO THE SUPPLIED STEAM VENT FITTINGS. USING 1-1/16 WRNCH, INSTALL FITTING INTO THE REAR OF THE MANIFOLDS, FIG.A.
- 3) APPLY ANTI-SIEZE TO THE 8 STUDS, FIG. B.
- 4) SLIDE RISER GASKET,FIG. C & TURBULATORS, FIG. D, OVER STUDS. DO NOT USE ANY SEALANT ON THE GASKETS OR TURBULATORS. AS SHOWN, THE TURBULATOR IS BETWEEN THE 2 GASKETS.
- 5) INSTALL RISERS, FIG. E.
- 6) IF YOU ARE INSTALLING 620-32505 SHIFT BRACKET AND 620-32500 OIL FILTER RELOCATION BRACKET, INSTALL THEM NOW. USE THE INSTRUCTIONS THAT CAME WITH THOSE KITS.
- 7) INSTALL WASHERS AND NUTS, FIG F. USING 9/16 SOCKET, TORQUE TO 30 FT. LBS..
- 8) INSTALL JUMPER HOSE AND HOSE CLAMPS, FIG.G. IF USING WITH FULL CLOSED COOLING KIT, THE JUMPER HOSE IS NOT USED. SEE FULL CLOSED COOLING KIT INSTRUCTIONS.
- 9) CUT STEAM VENT HOSE TO LENGTH, FIG H, AND INSTALL ON TO THE STEAM VENT FITTING AND THE BUNG ON THE UNDERSIDE OF THE RISERS.
- 10) THE STEAM VENT IS ONLY USED ON LONG RISER AND HP 500 TAILPIPES.

CAUTION HARDIN MARINE MANIFOLD SYSTEMS ARE DESIGNED FOR USE ON ENGINES WITH FULL TIME CONSTANT WATER CIRCULATION AT ALL TIMES.**
NOTE AFTER APPROXIMATELY 2-5 HOURS USE OR NUMEROUS ENGINE HEAT CYCLES ALL HARDWARE MUST BE RETORQUED AND OR TIGHTENED.**

HARDIN
MARINE

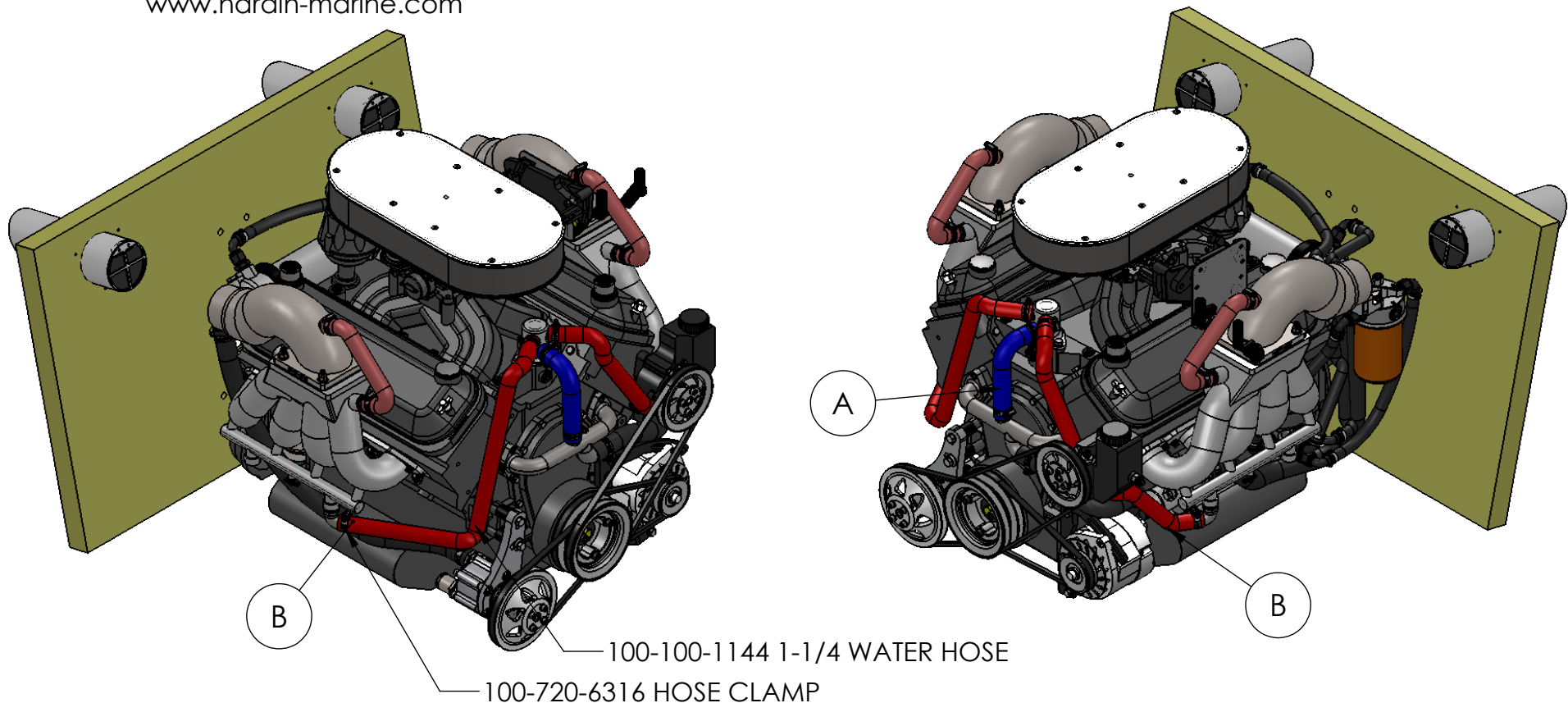
11 Industry Dr. Palm Coast, FL 32137
386-445-2500 / FAX 386-445-1122

PART NO.

TITLE:

HARDIN EXHAUST WATER HOSE PLUMBING

www.hardin-marine.com



INSTALLATION INSTRUCTIONS:

- 1) SAME INSTALLATION FOR ALL CYCLONE, GIL AND SEAWARD SYSTEMS.
- 2) ALL EXHAUST SYSTEMS, REQUIRES FULL TIME CONSTANT WATER CIRCULATION AT ALL TIMES. THIS ENGINE IS SHOWN WITH 620-300100 CROSSOVER KIT. FIG. A SHOWS THE WATER BYPASS HOSE, SHOWN IN BLUE. THE WATER BYPASS HOSE WILL PROVIDED WATER TO THE EXHAUST TILL THE THERMOSTAT OPENS.
- 3) THE EXHAUST IS FED BY THE FRESH WATER DISCHARGED FROM THE THERMOSTAT HOUSING. BOTH SIDES ARE SHOWN IN RED, FIG. B. THE HOSE CONNECTS TO THE WATER INLET FITTINGS ON THE BOTTOM OF THE HEADER/MANIFOLD.

THIS DRAWING IS CONFIDENTIAL AND IS SUPPLIED ON EXPRESS CONDITION THAT IT SHALL NOT BE LENT, COPIED OR DISCLOSED TO ANY OTHER PERSON OR USED FOR ANY OTHER PURPOSE WITHOUT WRITTEN CONSENT OF HARDIN MARINE INC.. BREACH OF THIS CONTRACT WILL HOLD AND IT'S PRINCIPALS LIABLE FOR LOSS AND DAMAGES.

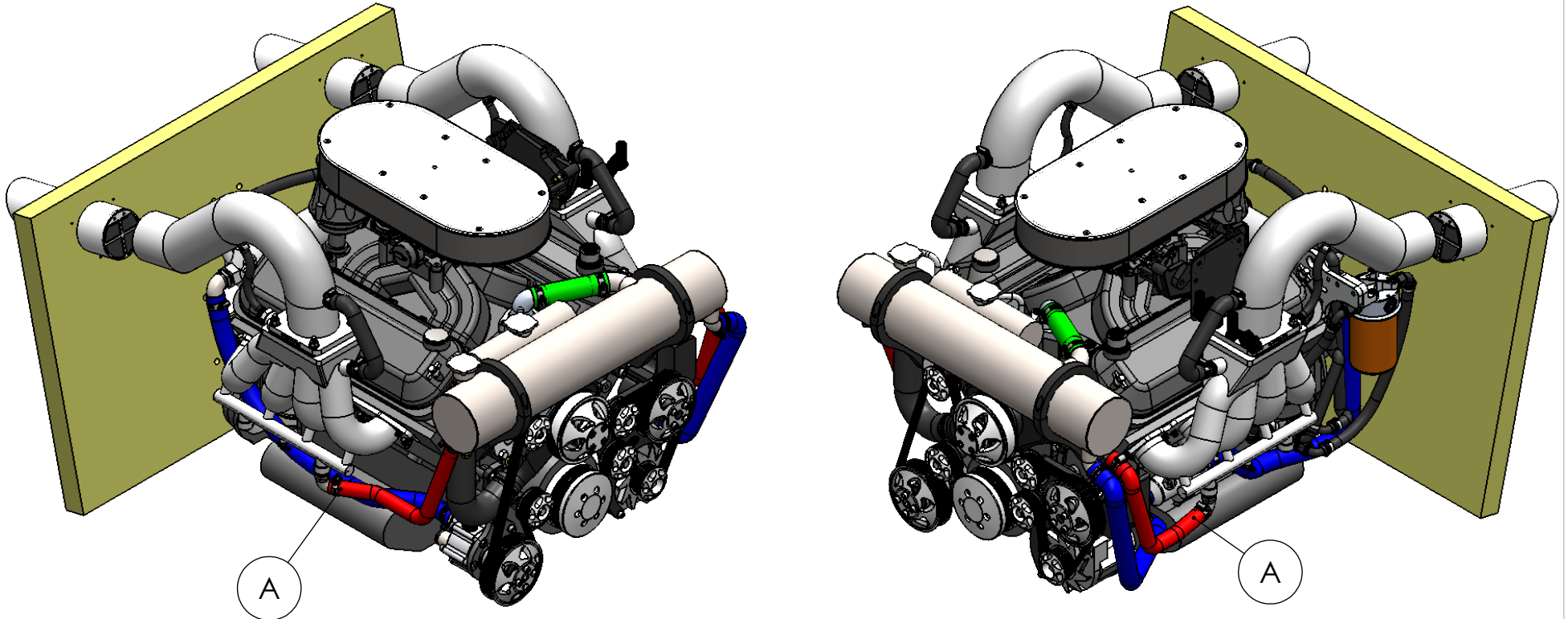
HARDIN
MARINE

11 Industry Dr. Palm Coast, FL 32137
386-445-2500 / FAX 386-445-1122

PART NO.

TITLE: HARDIN EXHAUST CLOSED COOLING
HALF SYSTEM PLUMBING

www.hardin-marine.com



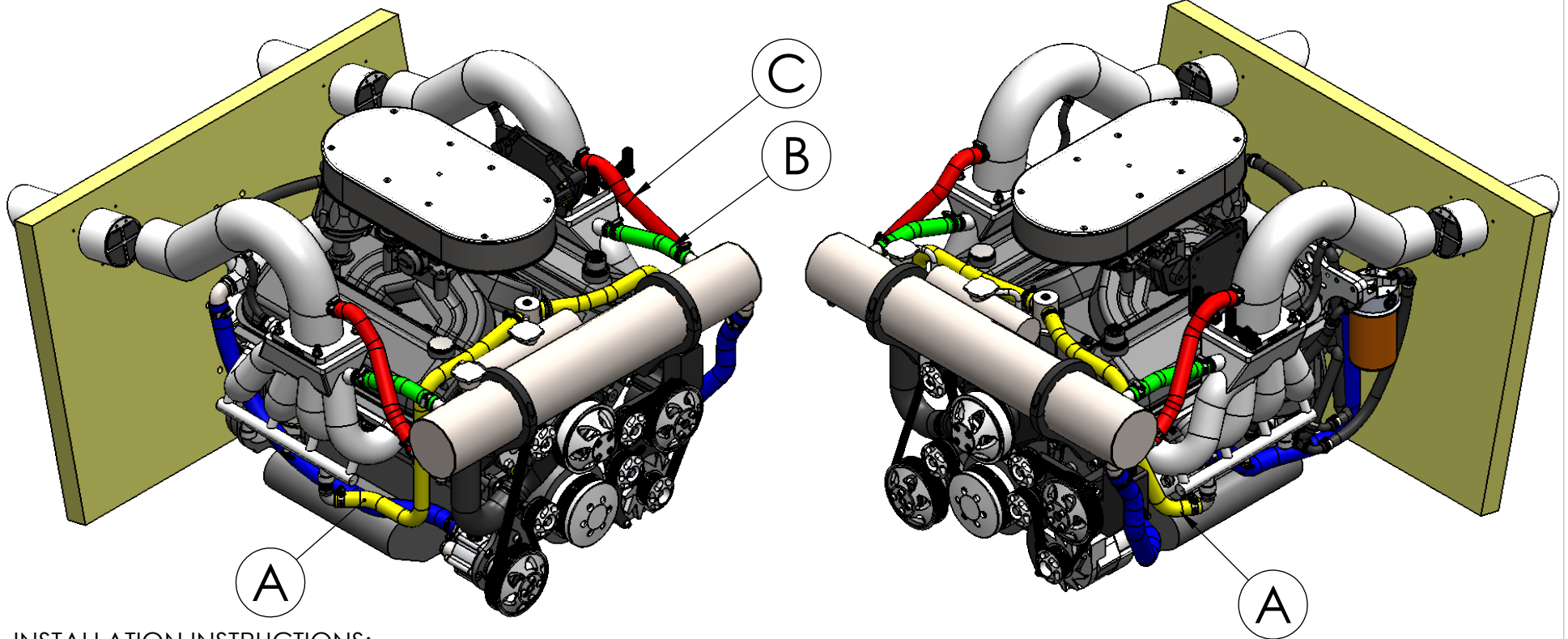
INSTALLATION INSTRUCTIONS:

- 1) SAME INSTALLATION FOR ALL CYCLONE, GIL & SEAWARD SYSTEMS.
- 2) ON HALF SYSTEM CLOSED COOLING SYSTEMS, ONLY THE ENGINE IS COOLED BY ANTIFREEZE. THE EXHAUST IS NOT PART OF THE CLOSED COOLER SYSTEM.
- 3) THE EXHAUST IS COOLED BY THE FRESH WATER DISCHARGE IN THE HEAT EXCHANGER, BOTH SIDES ARE SHOWN IN RED C, FIG. A. THE HOSE CONNECTS FROM THE HEAT EXCHANGER EXIT ON BOTH SIDES TO THE WATER INLET FITTINGS ON THE BOTTOM OF THE EXHAUST, AS SHOWN.

THIS DRAWING IS CONFIDENTIAL AND IS SUPPLIED ON EXPRESS CONDITION THAT IT SHALL NOT BE LENT, COPIED OR DISCLOSED TO ANY OTHER PERSON OR USED FOR ANY OTHER PURPOSE WITHOUT WRITTEN CONSENT OF HARDIN MARINE INC.. BREACH OF THIS CONTRACT WILL HOLD AND IT'S PRINCIPALS LIABLE FOR LOSS AND DAMAGES.

TITLE: HARDIN EXHAUST CLOSED COOLING
FULL SYSTEM PLUMBING

www.hardin-marine.com



INSTALLATION INSTRUCTIONS:

- 1) SAME INSTALLATION FOR ALL CYCLONE, GIL & SEAWARD SYSTEMS.
- 2) ON FULL SYSTEM CLOSED COOLING SYSTEMS, BOTH THE ENGINE AND EXHAUST MANIFOLD/HEADER IS COOLED BY ANTIFREEZE. THE EXHAUST RISER IS NOT PART OF THE CLOSED COOLING SYSTEM.
- 3) THE EXHAUST MANIFOLD/HEADER IS COOLED BY HOSES COMING FROM THE THERMOSTAT HOUSING, BOTH SIDES ARE SHOWN IN YELLOW, FIG. A. THE HOSE CONNECTS TO THE WATER INLET FITTINGS ON THE BOTTOM OF THE EXHAUST, AS SHOWN.
- 4) THE ANTIFREEZE IN THE MANIFOLD/HEADER IS RETURNED BACK THE HEAT EXCHANGER, BOTH SIDES ARE SHOWN IN GREEN, FIG.B.
- 5) THE FRESH WATER DISCHARGES FROM BOTH SIDES OF THE HEAT EXCHANGER AND CONNECTS TO THE BOTH SIDES OF THE RISER WATER INLET FITTINGS, BOTH SIDES ARE SHOWN IN RED, FIG. C.

HARDIN MARINE 11 Industry Dr. Palm Coast, FL 32137
386-445-2500 / FAX 386-445-1122

PART NO.
620-38057

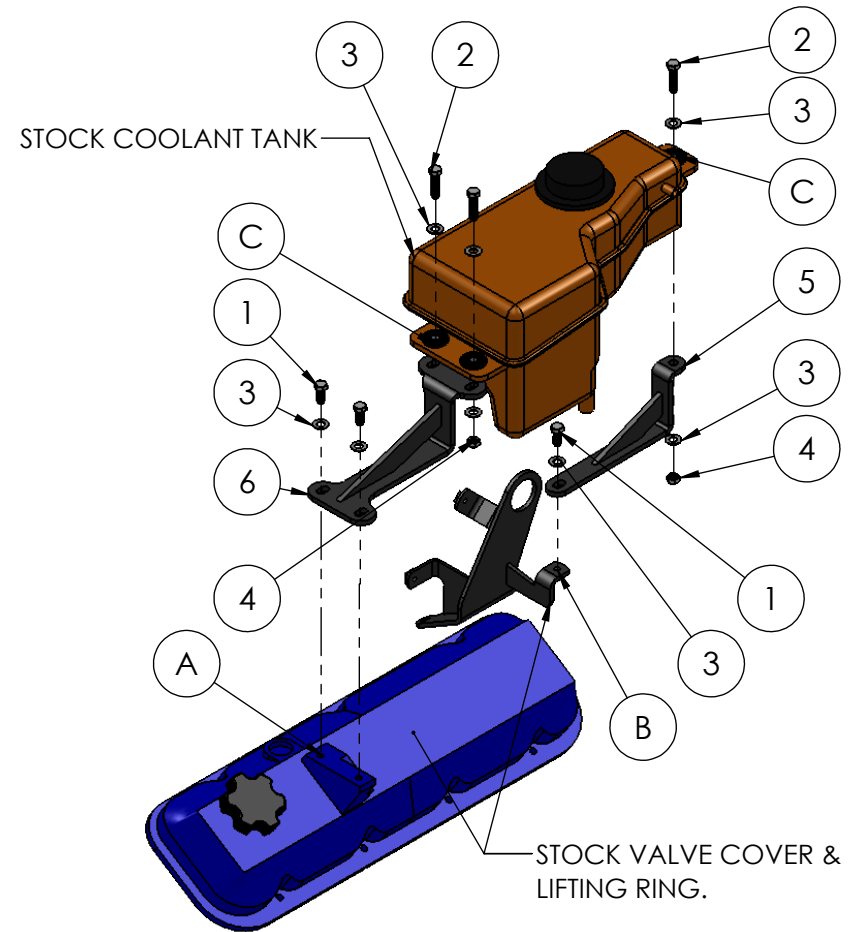
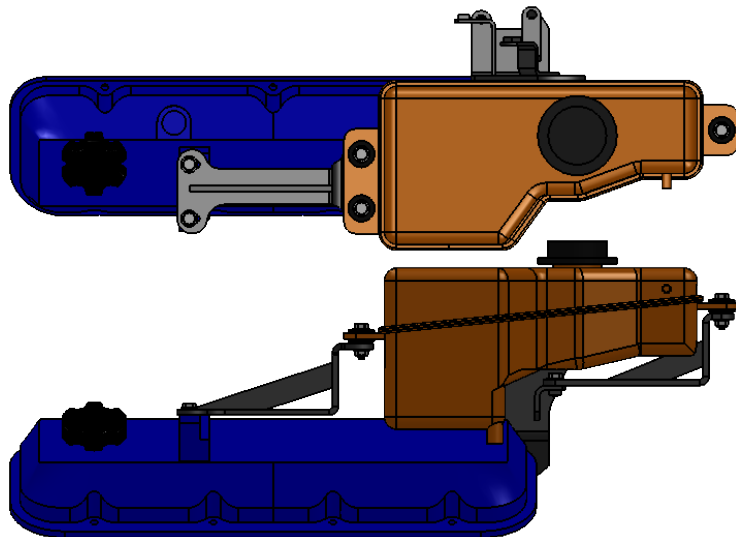
TITLE:
525 COOLANT TANK RELOCATION BRKTS.

www.hardin-marine.com

INSTALLATION INSTRUCTIONS:

- 1) UNBOLT COOLANT TANK FROM VALVE COVER AND LIFTING RING BRACKET.
- 2) APPLY ANTI SIEZE TO THE NEW 5/16-18 BOLTS THAT COME IN THE KIT.
- 3) INSTALL 620-33556 BRACKET, #6 TO THE VALVE COVER HOLES, FIG. A. USE #1 BOLTS AND #3 WASHERS. DO NOT TIGHTEN YET.
- 4) INSTALL 620-33553 BRACKET, #5, TO THE LIFTING RING BRACKET, FIG. B. USE #1 BOLT AND #3 WASHERS. DO NOT TIGHTEN.
- 5) INSTALL #2 BOLTS AND #3 WASHERS INTO THE COOLANT TANK GROMMETS, FIG. C.
- 6) INSTALL COOLANT TANK ONTO THE NEW RELOCATION BRACKET. USE #3 WASHER AND #4 NUTS. DO NOT TIGHTEN.
- 7) RECONNECT HOSES FROM HEAT EXCHANGER.
- 8) AFTER MANIFOLDS AND RISERS ARE INSTALL. POSITION COOLANT TANK AWAY FROM THE RISERS. TIGHTEN ALL BOLTS TO 20 FT. LBS..

ITEM NO.	PART NUMBER	DESCRIPTION	QTY.
1	90031C075HHS	BOLT, 5/16-18	3
2	90031C125HHS	BOLT, 5/16-18	3
3	90031SA-STSS	WASHER, 5/16 SAE	9
4	90031CN-HNSS	NUT, NYLON, HALF, 5/16-18	3
5	620-33553	BRACKET, SEAWARD 525 COOLANT TANK	1
6	620-33556	BRACKET, SEAWARD 525 COOLANT TANK	1



THIS DRAWING IS CONFIDENTIAL AND IS SUPPLIED ON EXPRESS CONDITION THAT IT SHALL NOT BE LENT, COPIED OR DISCLOSED TO ANY OTHER PERSON OR USED FOR ANY OTHER PURPOSE WITHOUT WRITTEN CONSENT OF HARDIN MARINE INC.. BREACH OF THIS CONTRACT WILL HOLD AND IT'S PRINCIPALS LIABLE FOR LOSS AND DAMAGES.

HARDIN 11 Industry Dr. Palm Coast, FL 32137
MARINE 386-445-2500 / FAX 386-445-1122

PART NO.
620-32101

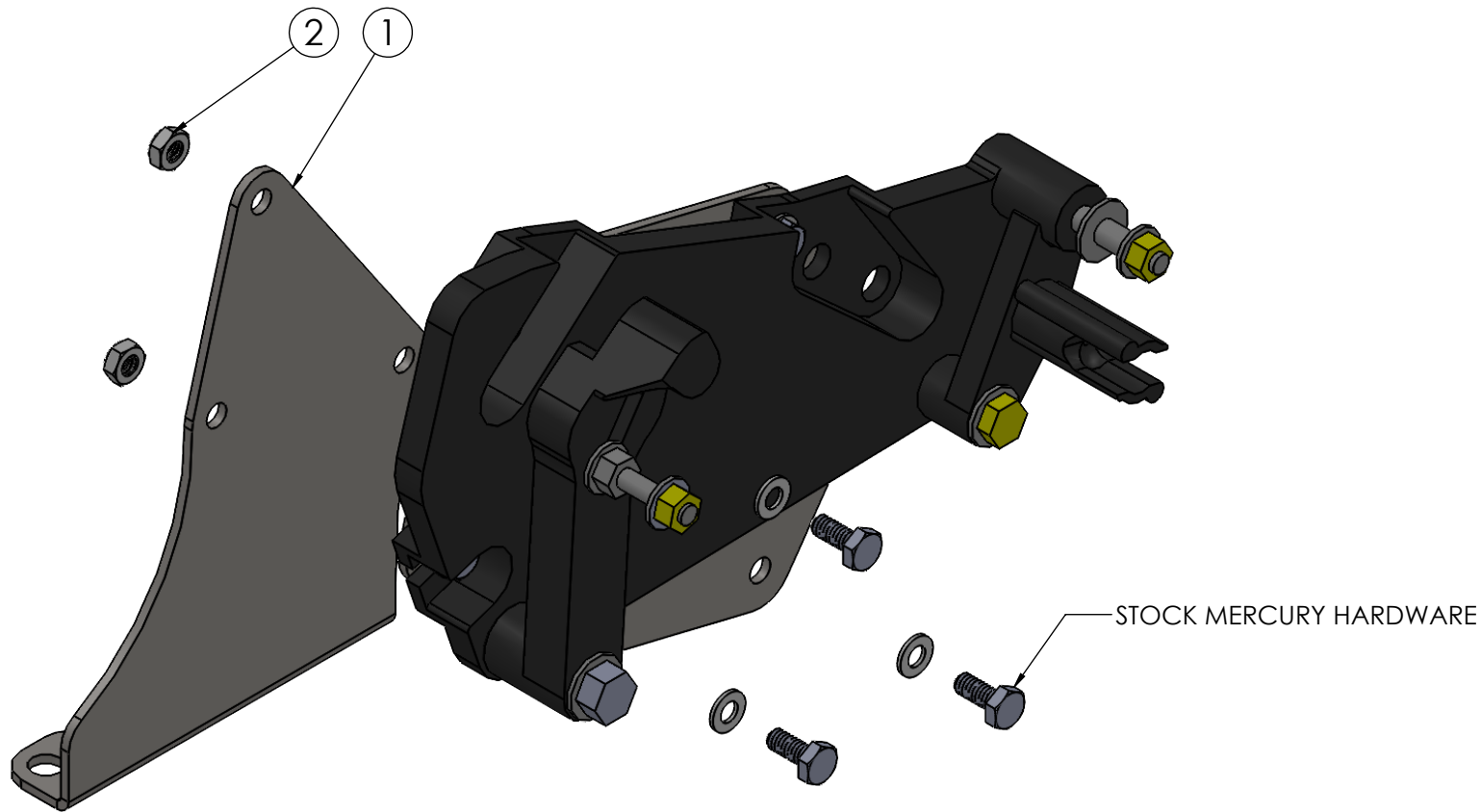
TITLE:
CYCLONE 525/700 SHIFT BRACKET

ITEM NO.	PART NUMBER	DESCRIPTION	QTY.
1	620-32101K	BRACKET, SHIFT, CYCLONE 525/700	1
2	90025CN-HNSS	NUT, 1/4-20 HALF LOCKING	3

www.hardin-marine.com

INSTALLATION INSTRUCTIONS:

- 1) MOUNT #1 BRACKET ON THE INBOARD STARBOARD MANIFOLD.
- 2) USE 7/16 WRENCH TO HOLD THE SUPPLIED #2 NUTS.
- 3) APPLY ANTI-SIEZE TO YOUR STOCK HARDWARE TO MOUNT YOUR STOCK MERCURY SHIFT BRACKET. TORQUE TO 110 IN. LBS..



THIS DRAWING IS CONFIDENTIAL AND IS SUPPLIED ON EXPRESS CONDITION THAT IT SHALL NOT BE LENT, COPIED OR DISCLOSED TO ANY OTHER PERSON OR USED FOR ANY OTHER PURPOSE WITHOUT WRITTEN CONSENT OF HARDIN MARINE INC.. BREACH OF THIS CONTRACT WILL HOLD AND IT'S PRINCIPALS LIABLE FOR LOSS AND DAMAGES.

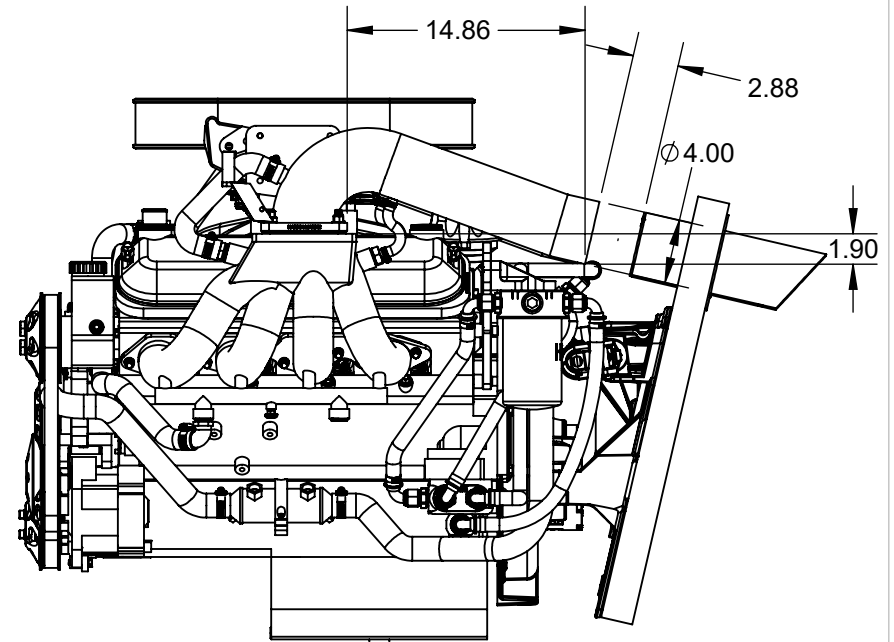
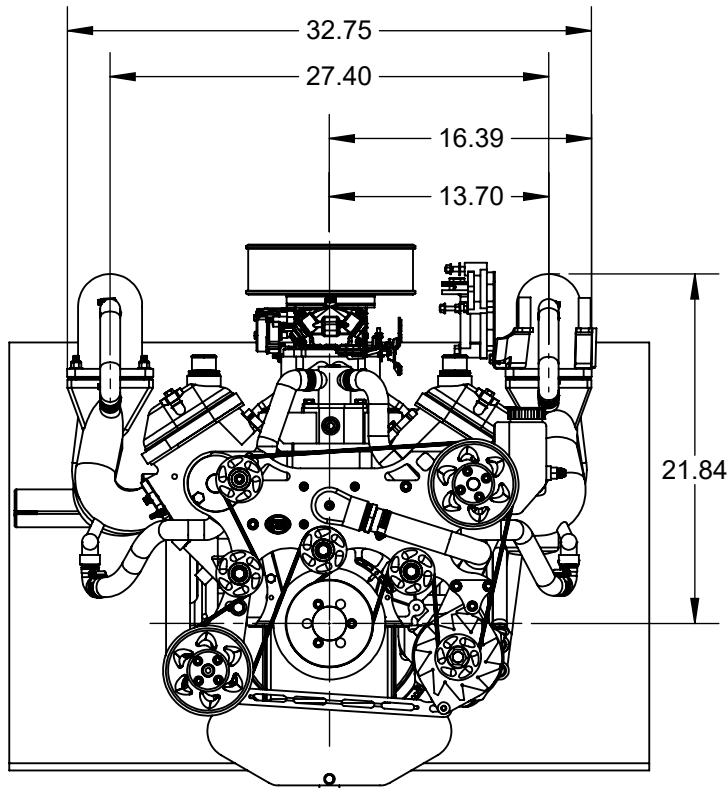
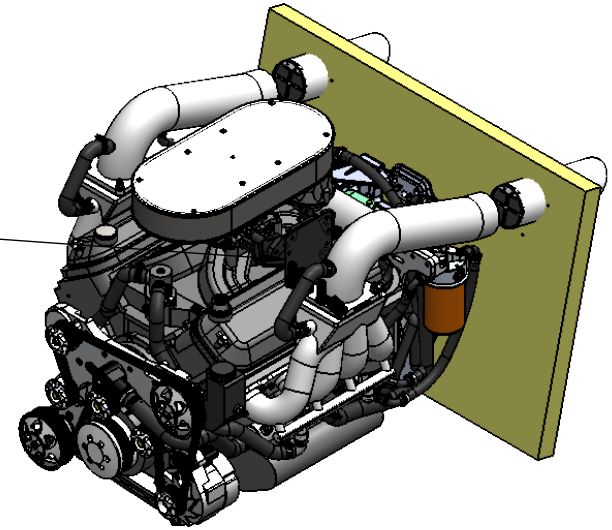
HARDIN MARINE 11 Industry Dr. Palm Coast, FL 32137
386-445-2500 / FAX 386-445-1122

PART NO.
620-32005

TITLE:
CYCLONE BBC BRAVO WET OFFSHORE

www.hardin-marine.com

SHOWN WITH 620-32500 OIL FILTER BRACKET
AND 620-32505 ECU/SHIFT BRACKET.



THIS DRAWING IS CONFIDENTIAL AND IS SUPPLIED ON EXPRESS CONDITION THAT IT SHALL NOT BE LENT, COPIED OR DISCLOSED TO ANY OTHER PERSON OR USED FOR ANY OTHER PURPOSE WITHOUT WRITTEN CONSENT OF HARDIN MARINE INC.. BREACH OF THIS CONTRACT WILL HOLD AND IT'S PRINCIPALS LIABLE FOR LOSS AND DAMAGES.

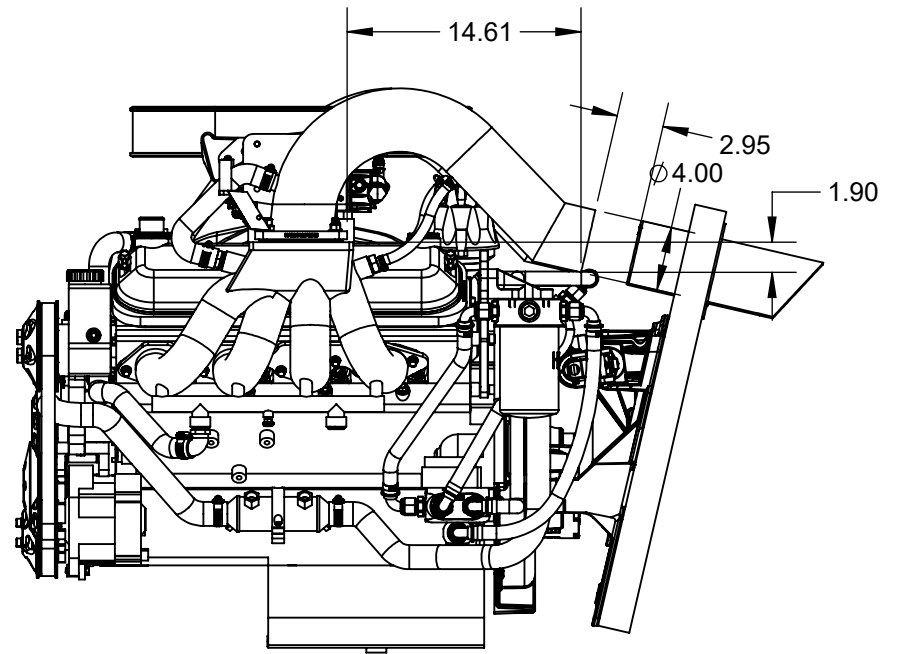
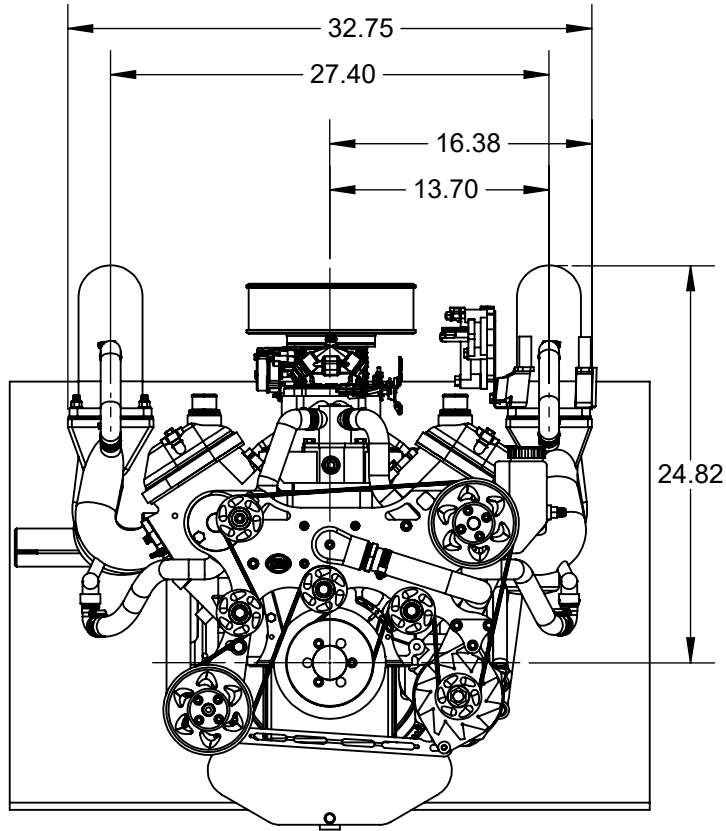
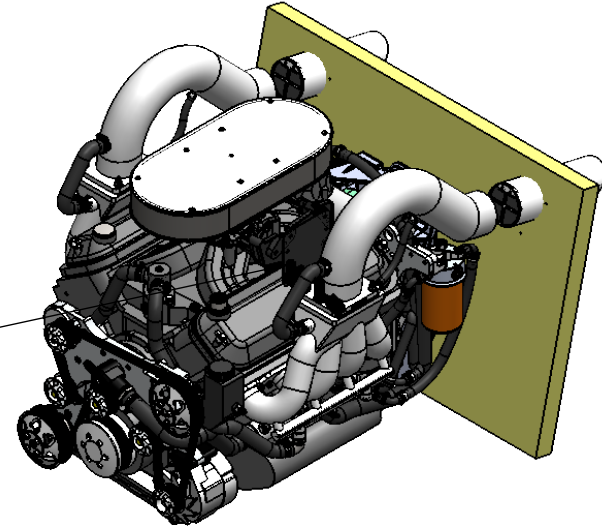
HARDIN MARINE 11 Industry Dr. Palm Coast, FL 32137
386-445-2500 / FAX 386-445-1122

PART NO.
620-32025

TITLE:
CYCLONE BBC BRAVO HP WET OFFSHORE

www.hardin-marine.com

SHOWN WITH 620-32500 OIL FILTER BRACKET
AND 620-32505 ECU/SHIFT BRACKET.



THIS DRAWING IS CONFIDENTIAL AND IS SUPPLIED ON EXPRESS CONDITION THAT IT SHALL NOT BE LENT, COPIED OR DISCLOSED TO ANY OTHER PERSON OR USED FOR ANY OTHER PURPOSE WITHOUT WRITTEN CONSENT OF HARDIN MARINE INC.. BREACH OF THIS CONTRACT WILL HOLD AND IT'S PRINCIPALS LIABLE FOR LOSS AND DAMAGES.

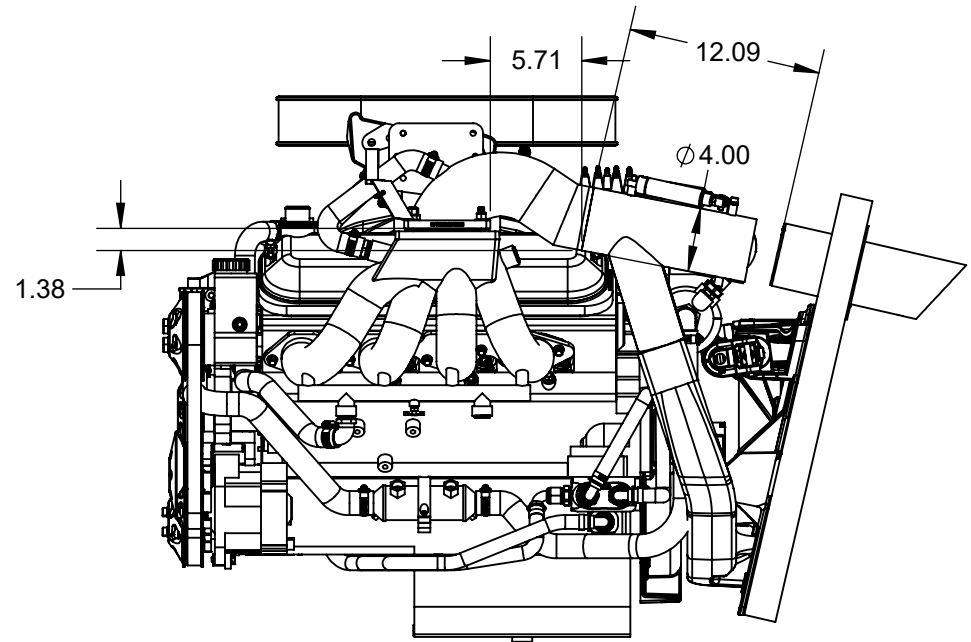
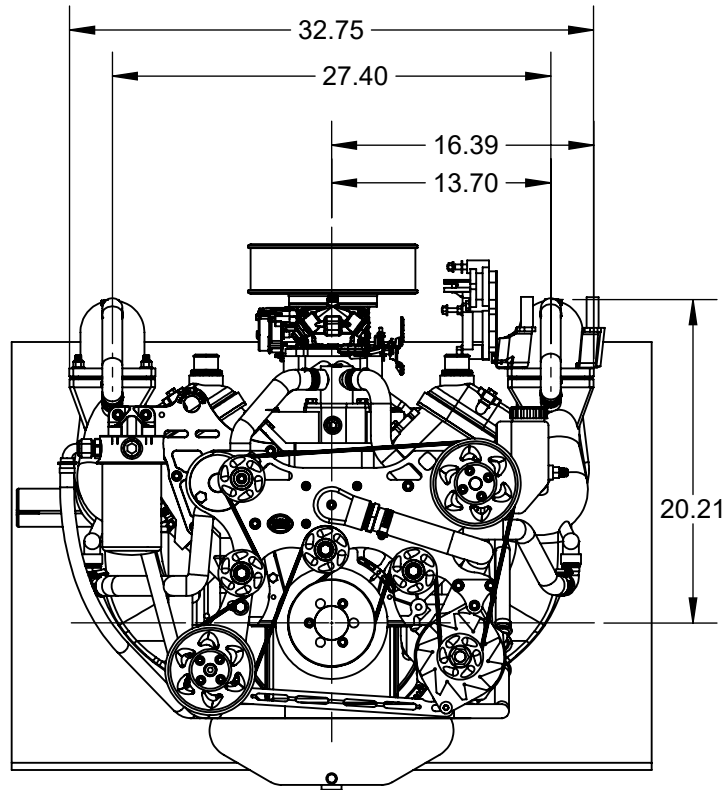
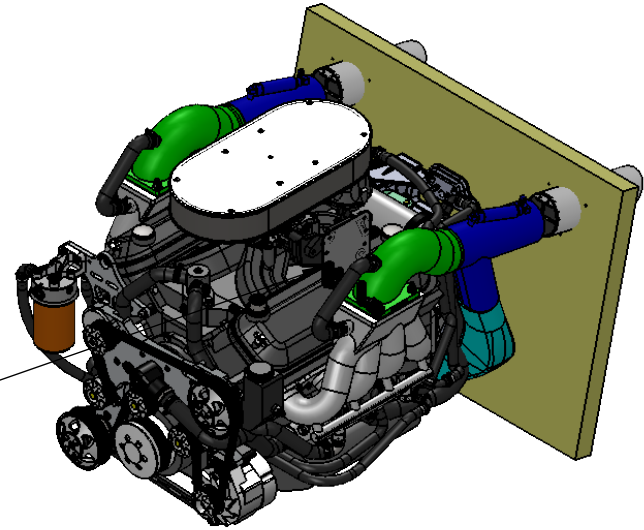
HARDIN MARINE 11 Industry Dr. Palm Coast, FL 32137
386-445-2500 / FAX 386-445-1122

PART NO.
620-32040

TITLE:
CYCLONE BBC BRAVO SOUND SELECT

www.hardin-marine.com

SHOWN WITH 620-32500 OIL FILTER BRACKET
AND 620-32505 ECU/SHIFT BRACKET.



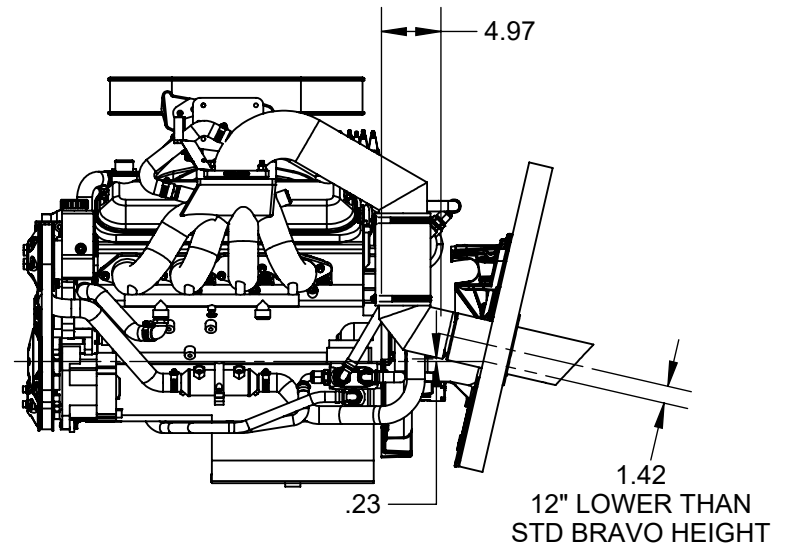
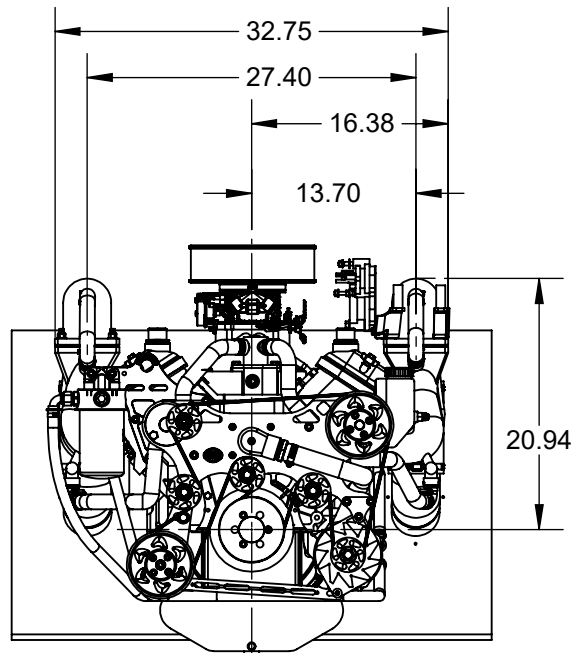
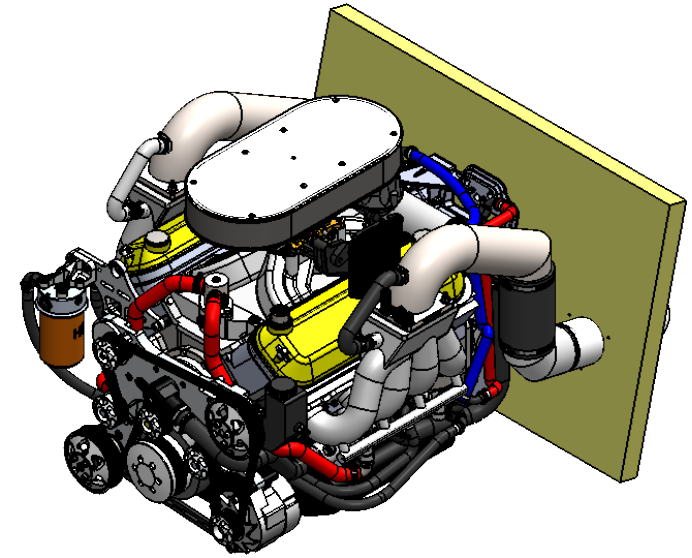
THIS DRAWING IS CONFIDENTIAL AND IS SUPPLIED ON EXPRESS CONDITION THAT IT SHALL NOT BE LENT, COPIED OR DISCLOSED TO ANY OTHER PERSON OR USED FOR ANY OTHER PURPOSE WITHOUT WRITTEN CONSENT OF HARDIN MARINE INC.. BREACH OF THIS CONTRACT WILL HOLD AND IT'S PRINCIPALS LIABLE FOR LOSS AND DAMAGES.

HARDIN MARINE 11 Industry Dr. Palm Coast, FL 32137
386-445-2500 / FAX 386-445-1122

PART NO.
620-32060

TITLE:
CYCLONE BBC LOW EXIT EXHAUST KIT

www.hardin-marine.com



MINIMUM LENGHT IS 8-3/4 WITH 4" OF HOSE AND 12-3/4 WITH 8" OF HOSE. WE SUPPLY KIT WITH 16" OF HOSE AND 4 HOSE CLAMPS. IF YOU NEED IT TO BE LOWER YOU WILL NEED TO BUY MORE 100-200-4004 4" EXHAUST HOSE. MAKE SURE TO HAVE MINIMUM 2-1/2 OF HOSE CLAMPING ON BOTH THE UPPER TAILPIPE AND THE LOWER EXIT. DIMENSIONS ABOVE ARE THE MINIMUM ASSEMBLED HEIGHT.

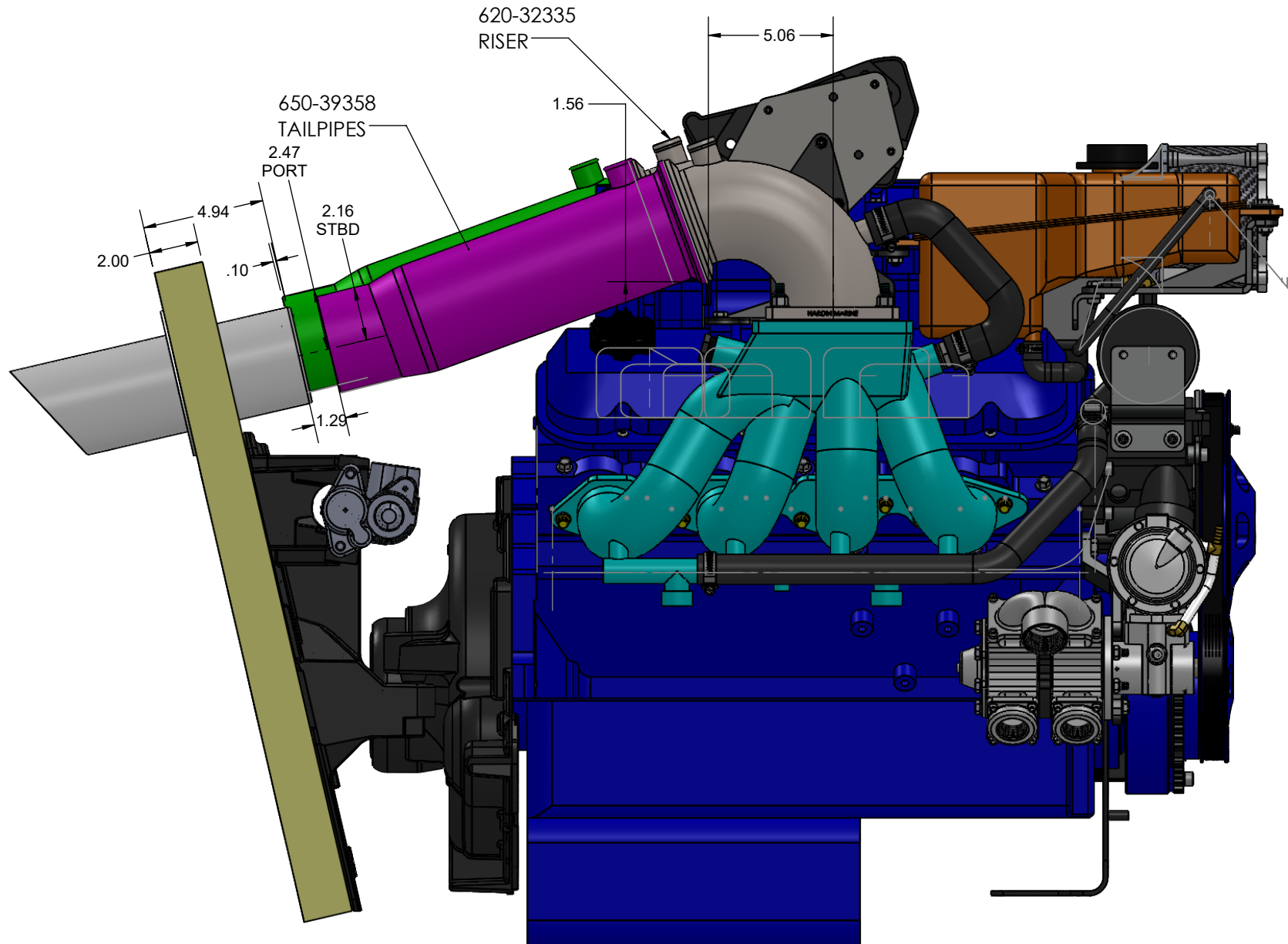
THIS DRAWING IS CONFIDENTIAL AND IS SUPPLIED ON EXPRESS CONDITION THAT IT SHALL NOT BE LENT, COPIED OR DISCLOSED TO ANY OTHER PERSON OR USED FOR ANY OTHER PURPOSE WITHOUT WRITTEN CONSENT OF HARDIN MARINE INC.. BREACH OF THIS CONTRACT WILL HOLD AND IT'S PRINCIPALS LIABLE FOR LOSS AND DAMAGES.

HARDIN 11 Industry Dr. Palm Coast, FL 32137
MARINE 386-445-2500 / FAX 386-445-1122

PART NO.
620-32100

TITLE:
CYCLONE 525/600/700 HEADER AND RISER

www.hardin-marine.com



THIS DRAWING IS CONFIDENTIAL AND IS SUPPLIED ON EXPRESS CONDITION THAT IT SHALL NOT BE LENT, COPIED OR DISCLOSED TO ANY OTHER PERSON OR USED FOR ANY OTHER PURPOSE WITHOUT WRITTEN CONSENT OF HARDIN MARINE INC.. BREACH OF THIS CONTRACT WILL HOLD AND IT'S PRINCIPALS LIABLE FOR LOSS AND DAMAGES.