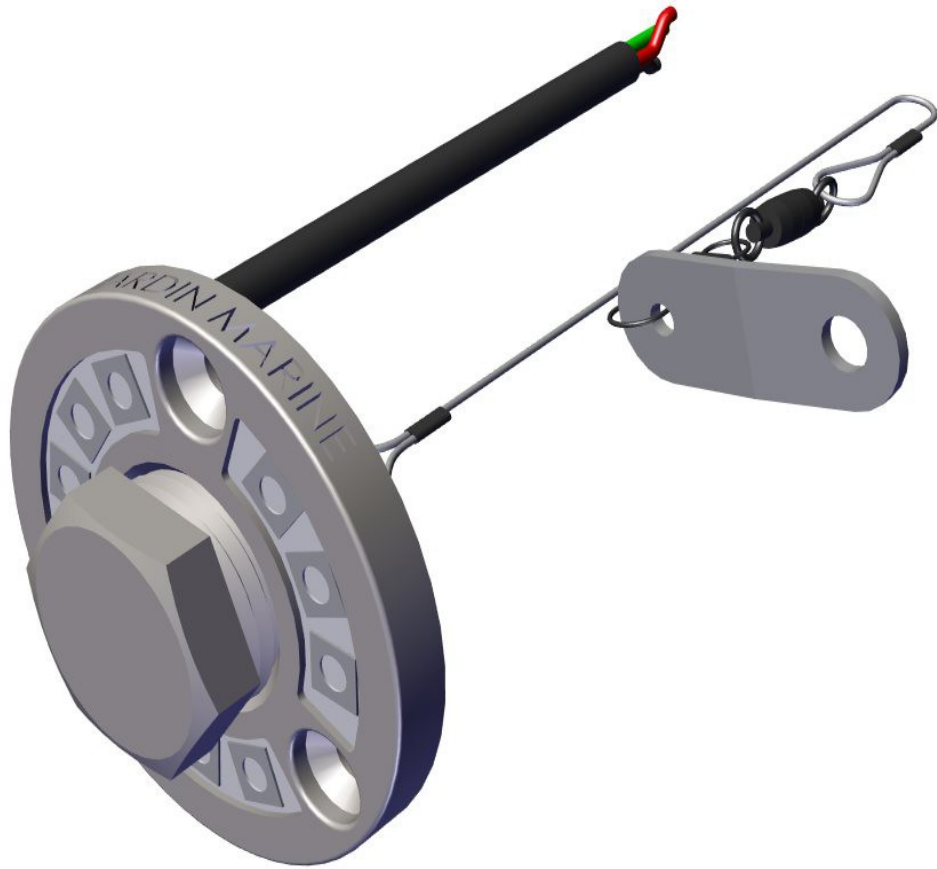




**LED DRAIN PLUG**  
**620-06702**





# LED DRAIN PLUG

620-06702

## STEP 1

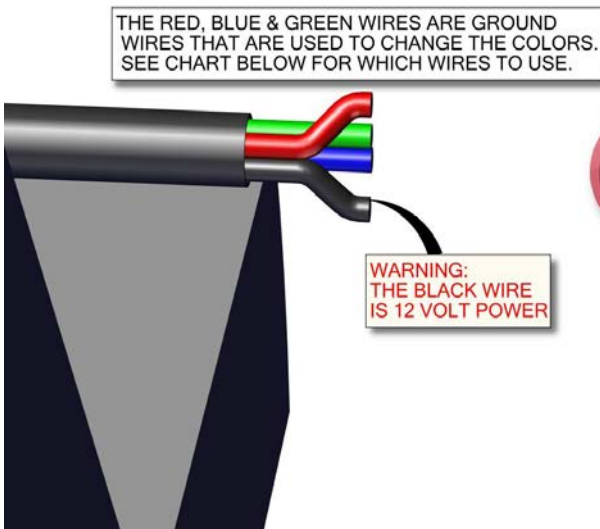
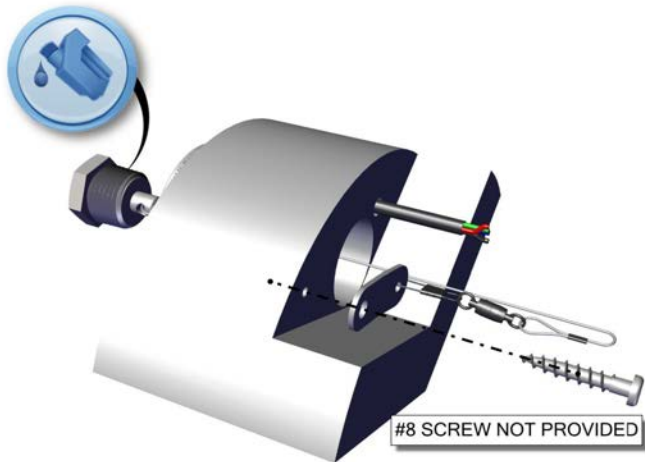
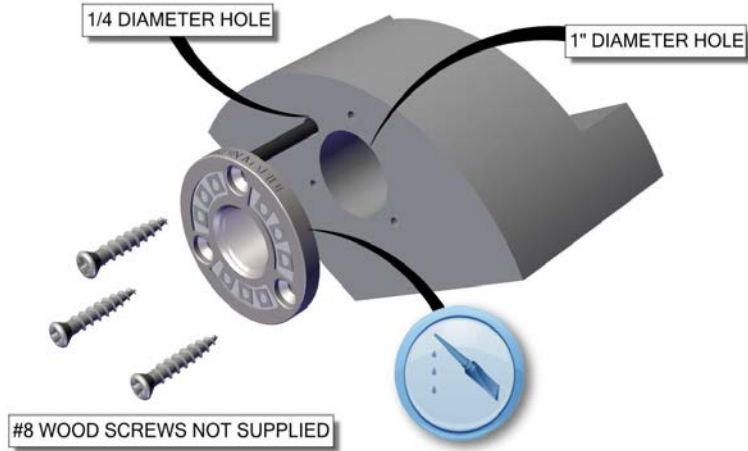
1. USE BASE AS YOUR DRILL TEMPLATE.
2. APPLY 3M 5200 ADHESIVE TO SEAL BETWEEN PLUG BASE AND TRANSOM.
3. INSTALL USING #8 WOOD SCREWS, NOT PROVIDED.

## STEP 2

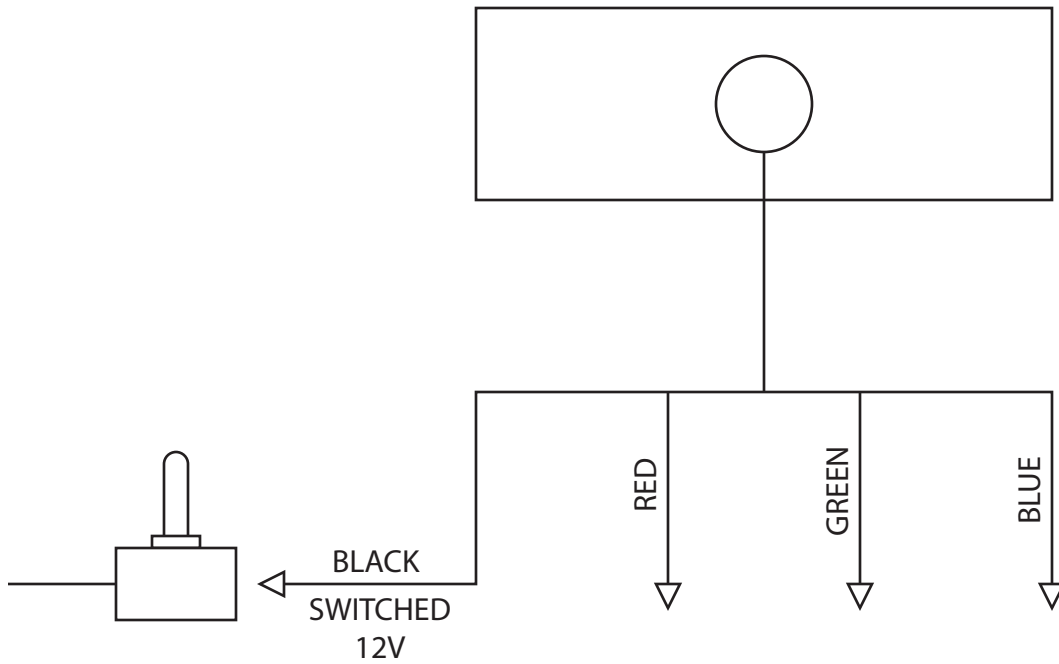
1. ATTACHED LANYARD BRACKET TO INSIDE OF TRANSOM WITH #8 WOOD SCREW, NOT PROVIDED.
2. APPLY ANTI-SIEZE TO THE PLUG BEFORE INSTALLING.

## STEP 3

1. ATTACH BLACK WIRE TO 12 VOLT POWER WITH 5AMP FUSE. FUSE NOT SUPPLIED.
2. USING THE CHART ON THE NEXT PAGE, WIRE THE GROUND WIRE FOR THE APPROATE COLOR.
3. YOU CAN ALSO WIRE TO OPTIONAL 516-1015 WIFI LED LIGHT CONTROL BOX.



# RGB SPECTRUM LIGHTS



Black wire will always go to 12v. The Red, Green and Blue wires are always to ground if used. See color chart below for LED color wiring options.

LED LIGHT COLOR	RED	GREEN	BLUE	YELLOW	PURPLE	TEAL	WHITE
WIRE COLOR							
BLACK	12V+	12V+	12V+	12V+	12V+	12V+	12V+
RED	12V-			12V-	12V-		12V-
GREEN		12V-		12V-		12V-	12V-
BLUE			12V-		12V-	12V-	12V-

12V+ = POSITIVE

12V- = GROUND

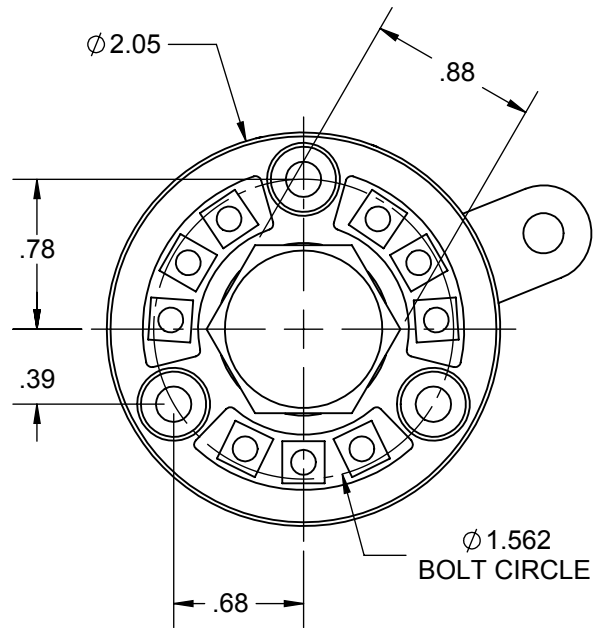
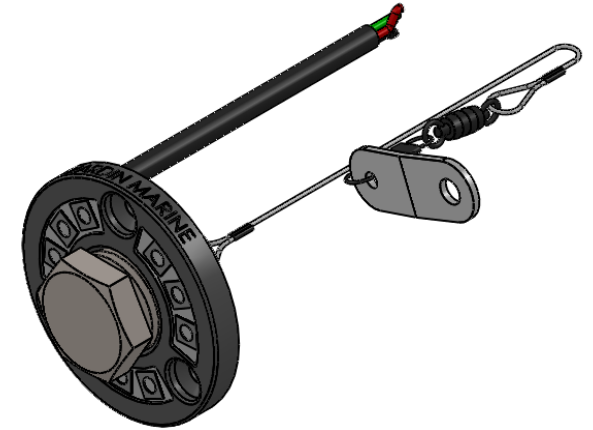
HARDIN MARINE 11 Industry Dr. Palm Coast, FL 32137  
386-445-2500 / FAX 386-445-1122

PART NO.  
620-06702

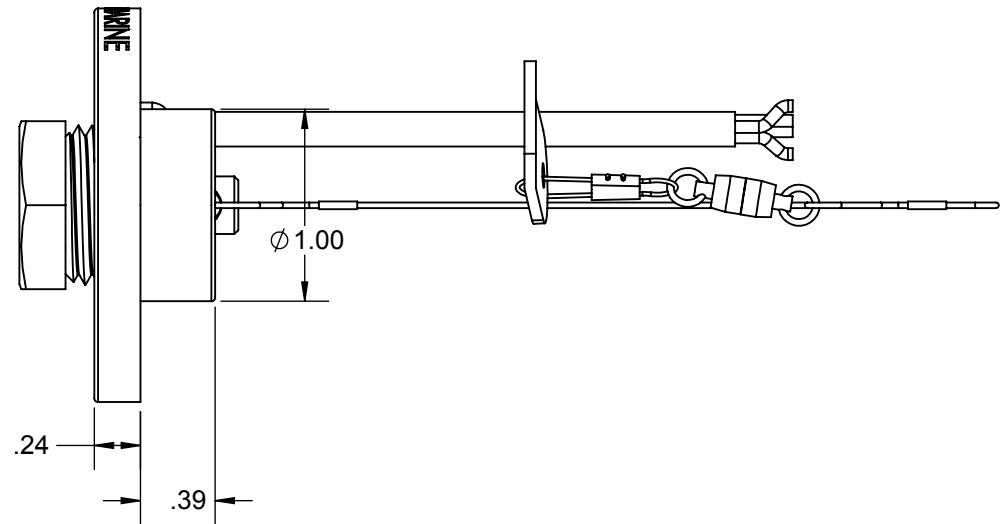
TITLE:

# LED DRAIN PLUG

[www.hardin-marine.com](http://www.hardin-marine.com)



COMES WITH 46" OF WIRE & 12" LANYARD



THIS DRAWING IS CONFIDENTIAL AND IS SUPPLIED ON EXPRESS CONDITION THAT IT SHALL NOT BE LENT, COPIED OR DISCLOSED TO ANY OTHER PERSON OR USED FOR ANY OTHER PURPOSE WITHOUT WRITTEN CONSENT OF HARDIN MARINE INC.. BREACH OF THIS CONTRACT WILL HOLD ..... AND IT'S PRINCIPALS LIABLE FOR LOSS AND DAMAGES.