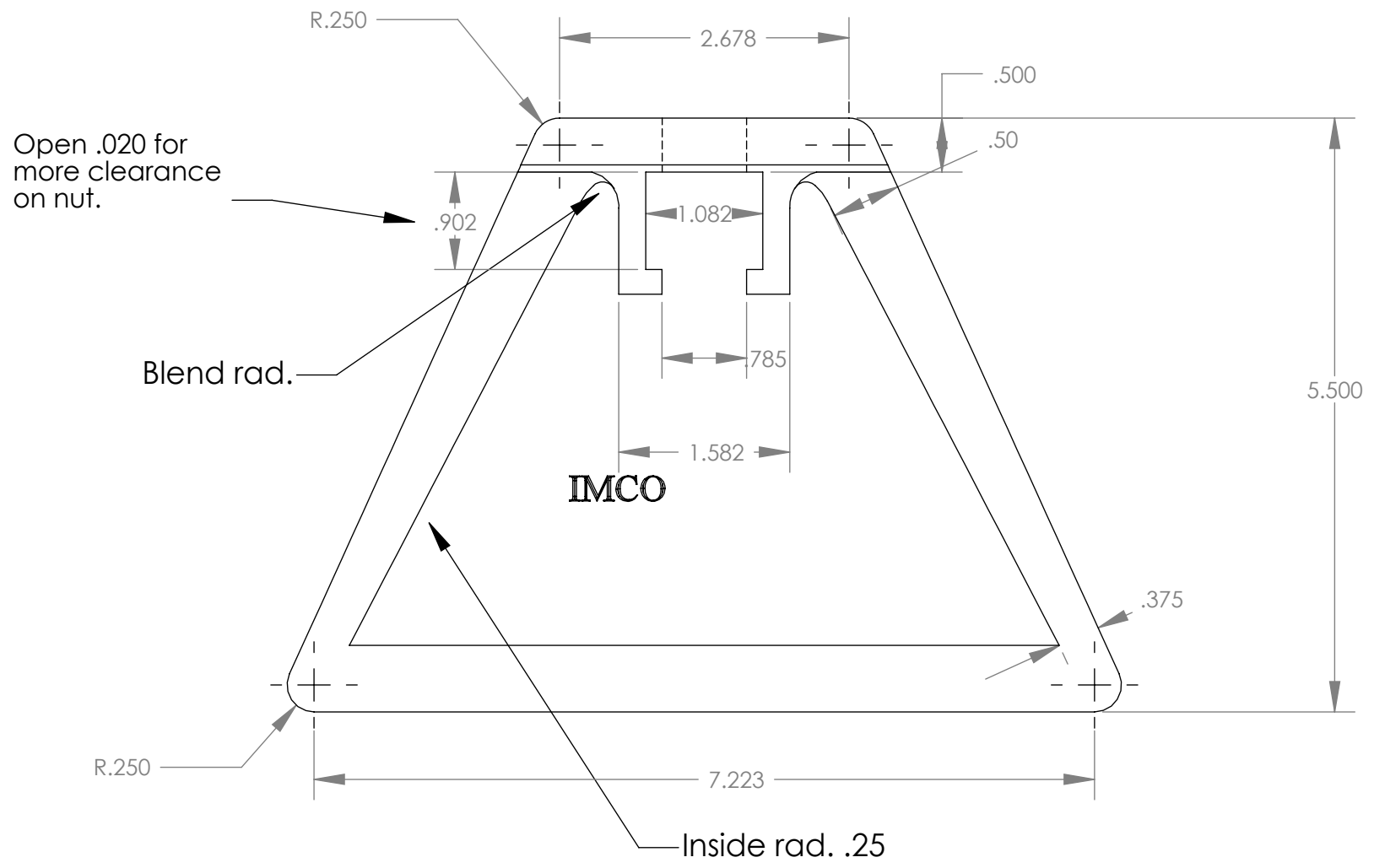


THE INFORMATION CONTAINED IN THIS DRAWING IS THE SOLE PROPERTY OF IMCO. ANY RE-PRODUCTION, IN PART OR WHOLE, WITHOUT THE WRITTEN PERMISSION OF IMCO IS PROHIBITED.

Break all sharp edges .0625

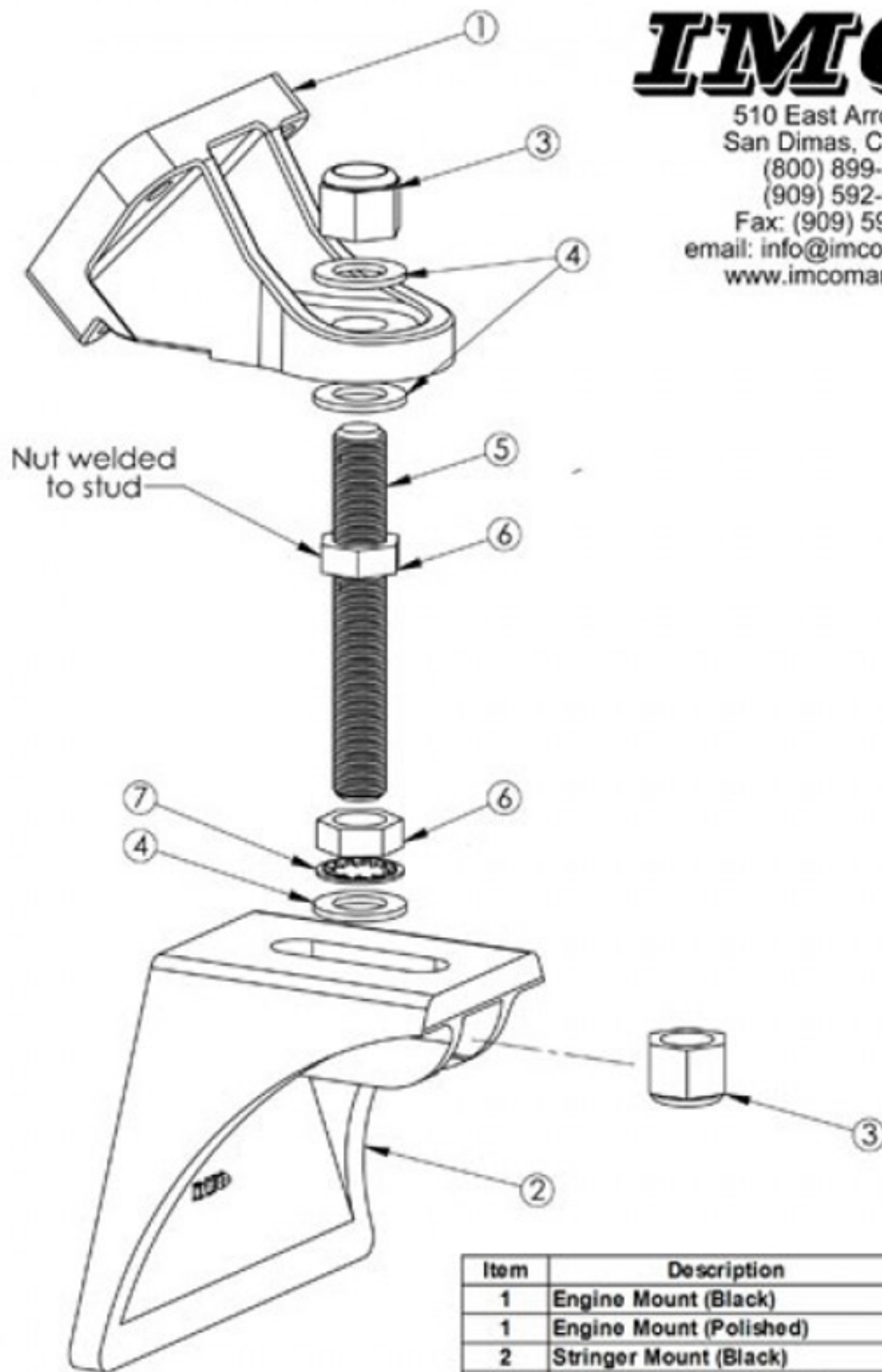


UNLESS OTHERWISE SPECIFIED DIMENSIONS ARE IN INCHES. TOLERANCES ARE:		CAD GENERATED DRAWING, DO NOT MANUALLY UPDATE		IMCO	
DECIMALS	ANGLES	APPROVALS	DATE		
.XX	±.030	DRAWN RT	03/24/03	Cast Motor Mount	
MATERIAL	356 Aluminum Heat Treated T6	CHECKED			
pgm#	0	MFG ENG			
		QUAL ENG		DWG. NO.	04-2294
				REV.	B
				CAD FILE:	Cast Motor Mount Front
				SHEET	3 OF 1

IMCO

510 East Arrow Hwy
San Dimas, CA 91773
(800) 899-8058
(909) 592-6162

Fax: (909) 592 6052
email: info@imcomarine.com
www.imcomarine.com



Item	Description	Qty	Part Number
1	Engine Mount (Black)	1	04-1301
1	Engine Mount (Polished)	1	04-1302
2	Stringer Mount (Black)	1	04-1294
2	Stringer Mount (Polished)	1	04-1296
3	3/4-16 Full Lock Nut	2	08-081306001
4	3/4" Flat Washer	3	08-121300001
5	Engine Mount Stud	1	04-6321
6	3/4-16 Thin Nut	2	08-191306001
7	3/4" Internal Tooth Lock Washer	1	08-111300001