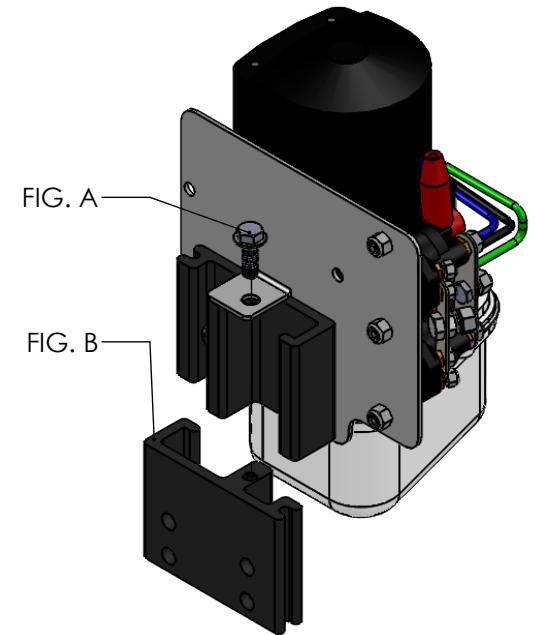
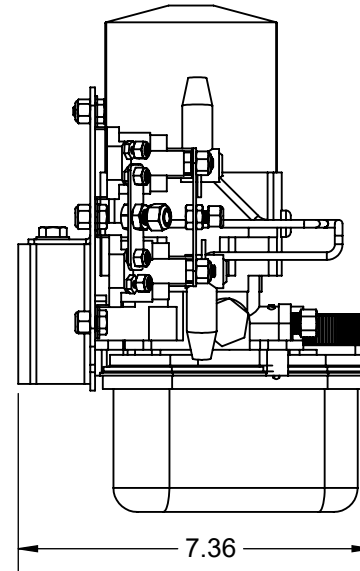
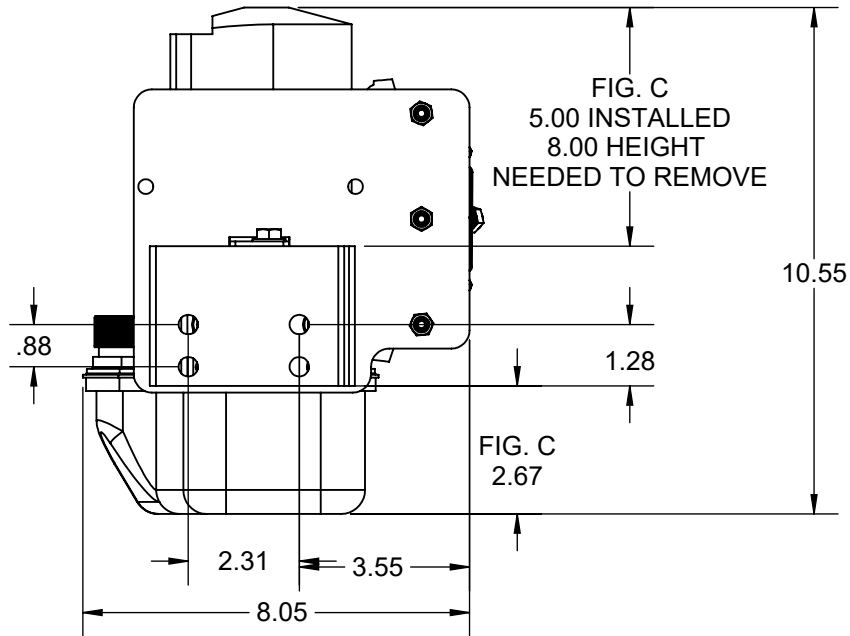


MAYFAIR HYDRAULICS

PART NO.  
137-8200

TITLE:  
MAYFAIR TRIM PUMP ASSY MOUNTING

www.mayfairhydraulics.com



#### INSTALLATION INSTRUCTIONS:

1) MOUNT TRIM PUMP IN SUCH A MANOR AS TO KEEP THEM OUT OF THE WATER FROM THE BILGE OR FROM BEING SUBMERGED OR EXPOSED TO WATER IN ANY WAY. KIT COMES WITH 60" LONG TRIM HOSES. IF DISTANCE NEEDS TO BE FURTHER, CUSTOM HOSES ARE AVAILABLE. PUMPS MUST BE MOUNTED VERTICALLY, LIKE SHOWN IS DIAGRAM.

2) NO MOUNTING HARDWARE IS SUPPLIED. USE 3/8 STAINLESS LAG BOLTS OR 3/8 THRU BOLTS FOR MOUNTING.

3) TRIM PUMP COMES ASSEMBLED AS SHOWN. REMOVE THE 5/16 BOLT AND WASHER, FIG. A. THIS WILL REMOVE BRACKET THAT MOUNTS TO THE INSTALLED AREA, FIG. B. USE THIS BRACKET TO DRILL YOU HOLES.

4) MOUNT BRACKET SO THE PUMP HAS MINIMUM 2.67 DISTANCE BELOW AND 8.00 ABOVE. SEE FIG. C.

TITLE:  
MAYFAIR TRIM PUMP ASSY WIRE DIAGRAM

## ELECTRICAL WIRING

1) Attach optional wire harness (137-8280 sold separately) to the supplied 137-8258 trim pump panel.

**CAUTION** All wiring must meet U.S.Coast Guard Standards.  
2) Attached the harness to the pump following color code listed below.

A) 10ga. red wire to positive battery terminal. 20 AMP fuse required in this line per U.S. Coast Guard standard.

B) 10ga. black wire to negative battery terminal.

C) Blue wire, trim tab - UP.

D) Green wire, trim tab - DOWN.

**CAUTION**

Avoid damage to trim pump. DO NOT electrically operate pump without having hoses connected and 10W30 oil in the reservoir.

