

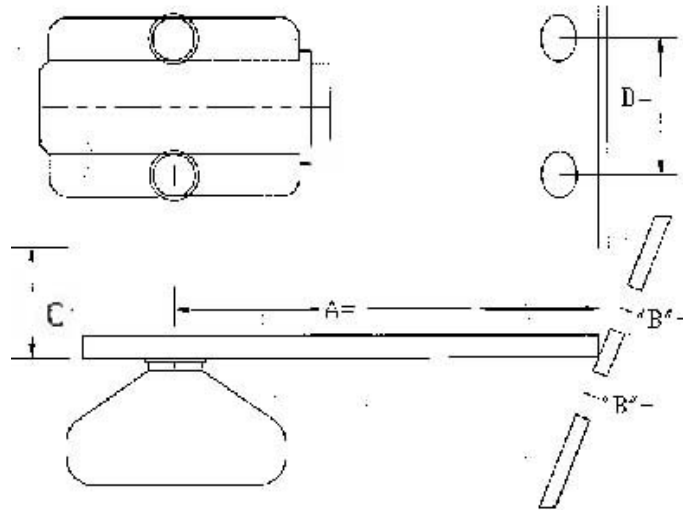
## STAINLESS MARINE HI-TORQUE TAILPIPE LAYOUT

**MEASUREMENT (A)** Place a straight edge across the exhaust opening and extend it aft until makes contact with the transom. Record the distance from the center of the exhaust opening to the transom. Place a mark on the transom at this point.

**MEASUREMENT (B)** From the mark on the transom, measure up or down to the center of the exhaust hole. If the hole is above your mark, use a "+" sign and if below use a "-" sign.

**MEASUREMENT (C)** Measure up from the manifold exhaust flange to any obstacle, or the bottom of the engine hatch.

**MEASUREMENT (D)** Measure center to center of your exhaust holes in the transom.



DATE REC'D \_\_\_\_\_

# OF SETS \_\_\_\_\_

**INSTALLATION**

EXHAUST TIPS \_\_\_\_\_

THRU TRANSOM \_\_\_\_\_

TRANSOM THICKNESS \_\_\_\_\_

**PLATES**

SHIFT \_\_\_\_\_

MODULE \_\_\_\_\_

OIL \_\_\_\_\_

BIG BLOCK \_\_\_\_\_ SMALL BLOCK \_\_\_\_\_

WERE MEASUREMENTS TAKEN WITH STAINLESS MARINE HI-TORQUE MANIFOLDS ? Yes \_\_\_\_\_ No \_\_\_\_\_  
IF NOT, STATE THE BRAND \_\_\_\_\_

**WATER FITTING**

STD \_\_\_\_\_

DRY WITH O/B \_\_\_\_\_

DRY W/ DUMPTUBE \_\_\_\_\_

OTHER \_\_\_\_\_

W.O.# \_\_\_\_\_

**CP PERFORMANCE**

5725 Redwood Drive

Rohnert Park, CA 94928

Phone (707)585-9871 | Fax (707)585-2935