

HARDIN
MARINE

11 Industry Dr. Palm Coast, FL 32137
386-445-2500 / FAX 386-445-1122

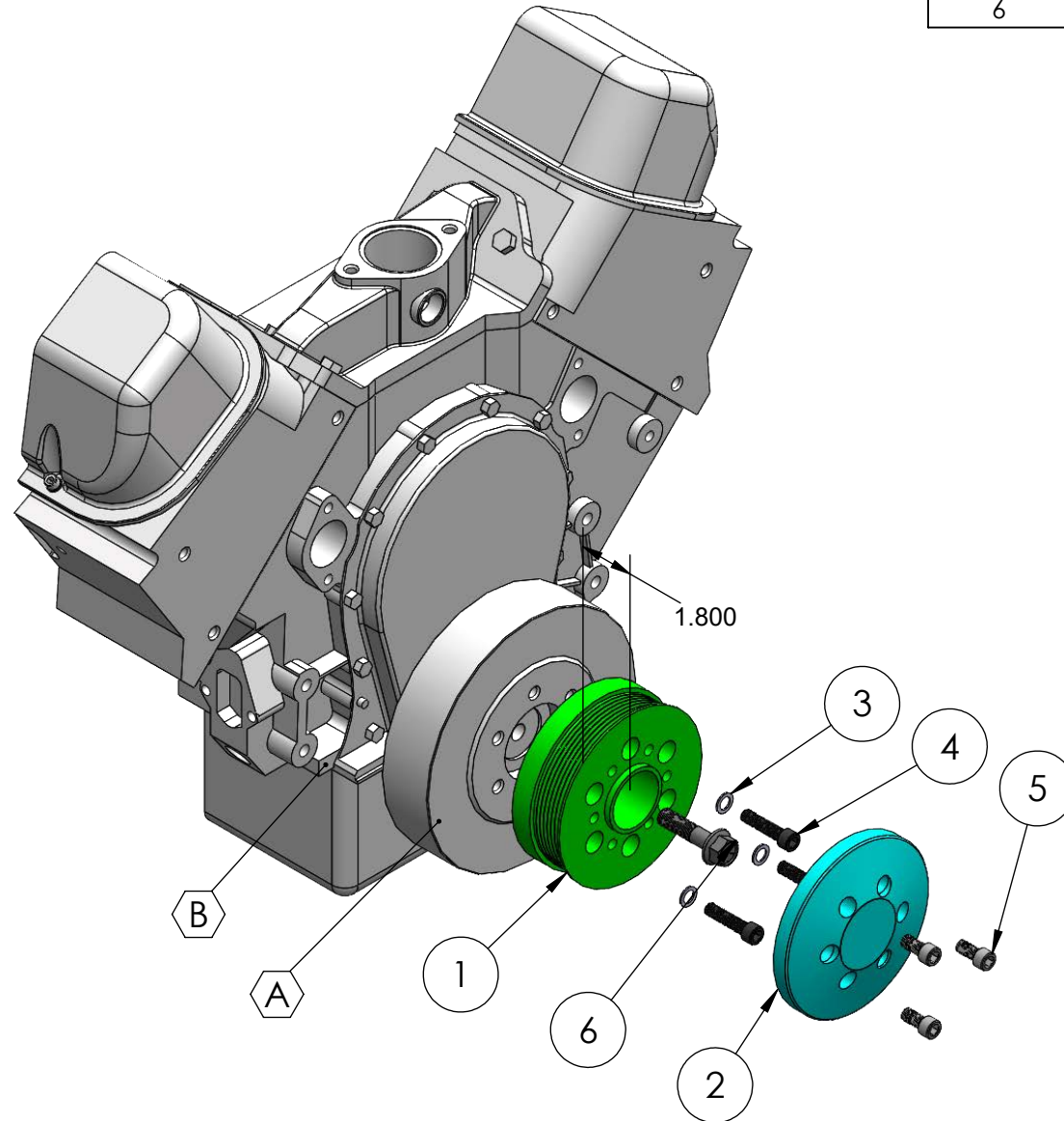
PART NO.

625-828X

TITLE: BBC CROSSOVER STYLE SERPENTINE
DRIVE KIT INSTALLATION - STEP 1

www.hardin-marine.com

ITEM NO.	PART NUMBER	DESCRIPTION	QTY.
1	625-8176	PULLEY, CRANK - SERPENTINE	1
2	625-8177	COVER, SERPENTINE CRANK PULLEY	1
3	90037AN-STSS	WASHER, 3/8 AN	3
4	90037C150SH8	BOLT, SHCS, 3/8-16x1.50	3
5	90037F075SHS	BOLT, 3/8-24x.75	3
6	90050F200HH8	BOLT, CRANK	1



ASSEMBLY IS USED FOR 625-8280, 625-8281, 625-8282 & 625-8283 DRIVE KITS.

INSTALLATION INSTRUCTIONS:

- 1) MAKE SURE FACE OF DAMPER, FIG A IS 3.095 FROM FRONT OF ENGINE BLOCK, FIG B. CRANK PULLEY 1.800 WIDE. SUPERCHARGER PULLEY MOUNTING FACE IS 4.185 FROM BLOCK FACE.
- 2) APPLY LOCTITE TO #4 BOLTS. INSTALL INTO THE #1 CRANK PULLEY WITH #2 WASHERS. USING 5/16 HEX SOCKET TORQUE TO 35 FT. LBS..
- 3) APPLY LOCTITE TO #6. INSTALL INTO CENTER OF THE CRANK PULLEY. USING 3/4 SOCKET, TORQUE TO 55-60 FT. LBS..
- 4) APPLY LOCTITE TO #5 BOLTS . INSTALL #2 COVER, TO THE CRANK PULLEY. USING 5/16 HEX SOCKET TORQUE TO 30 FT. LBS.. FOR SUPERCHARGE APPLICATION, DO NOT INSTALL THIS COVER.

HARDIN
MARINE

11 Industry Dr. Palm Coast, FL 32137
386-445-2500 / FAX 386-445-1122

PART NO.

625-828X

TITLE: BBC CROSSOVER STYLE SERPENTINE DRIVE KIT
INSTRUCTIONS - STEP 2 SINGLE STAGE SEA PUMP

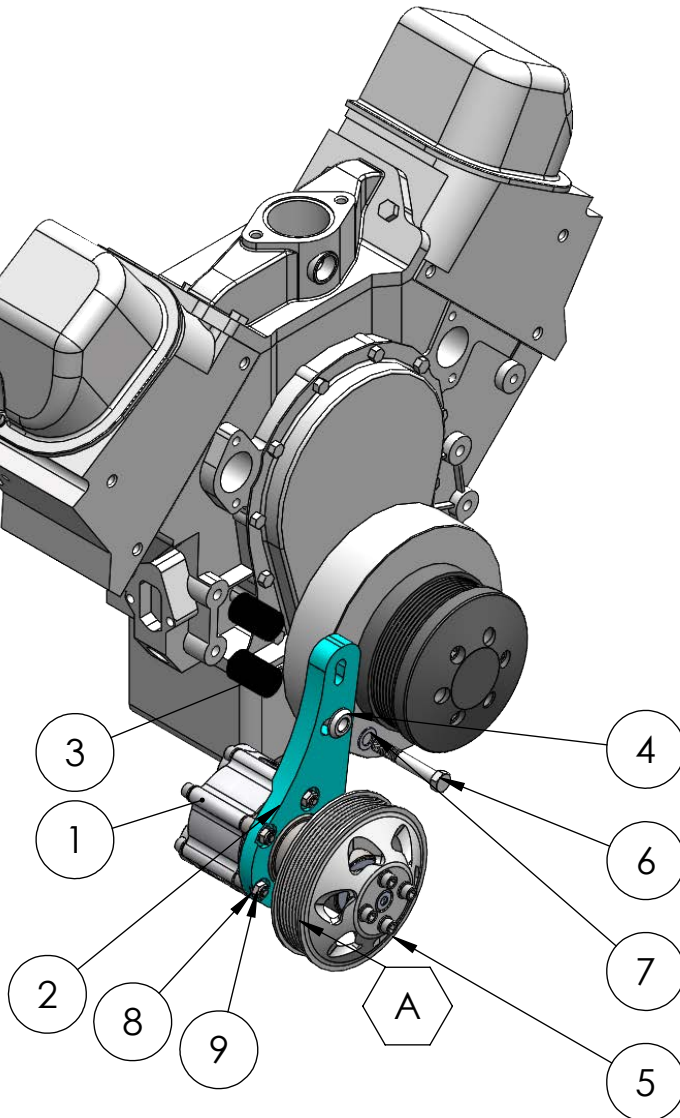
www.hardin-marine.com

ITEM NO.	PART NUMBER	DESCRIPTION	QTY.
1	625-4110	SEA PUMP	1
2	625-4098	BRACKET, SEA PUMP - GEN 2 SERPENTINE KIT	1
3	625-4040	SPACER, SEA PUMP TO X-OVER	2
4	625-4041	WASHER, HAT	1
5	625-4055	PULLEY, SEA PUMP	1
6	90043C275HHS	BOLT, 7/16-14x2.75	1
7	90043AN-STSS	WASHER, 7/16AN	1
8	90031AN-STSS	WASHER, 5/16 AN	5
9	90031CN-HNSS	NUT, NYLON, HALF, 5/16-18	5
12	421-205M	SEA PUMP MANDREL	1

ASSEMBLY IS USED FOR 625-8280 & 625-8281 DRIVE KITS.

INSTALLATION INSTRUCTIONS:

- 1) SEA PUMP IS PREASSEMBLED AS SHOWN IN FIG A. THE BRACKET IS INSTALLED ON THE PUMP. SEA PUMP PULLEY IS ALSO INSTALLED.
- 2) IN THIS STEP, THE PUMP IS INSTALLED USING ONLY THE BOTTOM #6 BOLT & #7 WASHER.
- 3) INSTALL #3 SPACERS INTO THE POCKETS ON THE BACK SIDE OF THE SEA PUMP BRACKET.
- 4) WITH THE 2 SPACERS POSITIONED BETWEEN THE BLOCK AND THE SEA PUMP BRACKET. INSTALL BOLT INTO LOWER BOLT HOLE. USING 5/8 SOCKET LIGHTLY SNUG THE BOLT. THE UPPER BOLT HOLE IS USED FOR THE IDLER PULLEY ON THE CROSSOVER IN STEP 3.



THIS DRAWING IS CONFIDENTIAL AND IS SUPPLIED ON EXPRESS CONDITION THAT IT SHALL NOT BE LENT, COPIED OR DISCLOSED TO ANY OTHER PERSON OR USED FOR ANY OTHER PURPOSE WITHOUT WRITTEN CONSENT OF HARDIN MARINE INC.. BREACH OF THIS CONTRACT WILL HOLD AND IT'S PRINCIPALS LIABLE FOR LOSS AND DAMAGES.

HARDIN
MARINE

11 Industry Dr. Palm Coast, FL 32137
386-445-2500 / FAX 386-445-1122

PART NO.

625-828X

TITLE: BBC CROSSOVER STYLE SERPENTINE DRIVE KIT
INSTALLATION - STEP 3

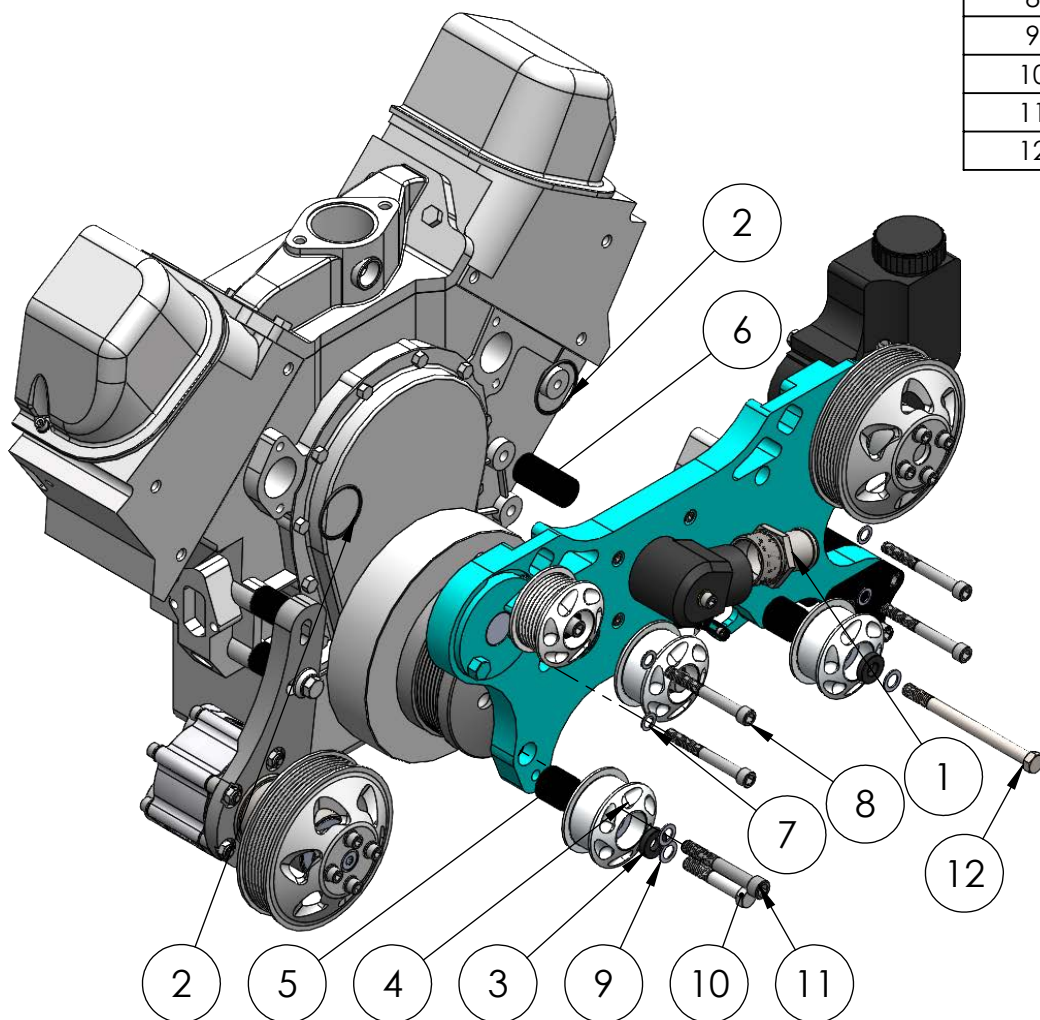
www.hardin-marine.com

ITEM NO.	PART NUMBER	DESCRIPTION	QTY.
1	540-222175	FITTING, 1-1/4 BARB	1
2	625-1131	O-RING	2
3	625-4039	SPACER, 1" x7/16x.240	3
4	625-4364	PULLER, SMOOTH IDLER	3
5	625-4422	SPACER, IDLER - GEN 2	3
6	625-4436	SPACER, BLOCK TO X-OVER COVER	1
7	90037AN-STSS	WASHER, 3/8 AN	14
8	90037C325SHS	BOLT, SHCS, 3/8-16x3.25	4
9	90043AN-STSS	WASHER, 7/16AN	5
10	90043C250HHS	BOLT, HHCS, 7/16-14x2.50	2
11	90043C300SHS	BOLT, SHCS, 7/16-14x3.00	1
12	90043C550HHS	BOLT, HHCS, 7/16-14x5.50	1

ASSEMBLY IS USED IN 625-8281 & 625-8283 DRIVE KITS WITH
POWER STEERING.

INSTALLATION INSTRUCTIONS:

- 1) CROSSOVER COMES COMPLETELY ASSEMBLED.
- 2) APPLY WHITE LITHIUM GREASE TO #2 O-RINGS AND
INSTALL INTO THE GROOVES IN THE CROSSOVER BODY.
- 3) #6 SPACER IS INSTALLED BETWEEN THE BLOCK AND
CROSSOVER. IT IS HELD IN BY THE PORT SIDE IDLER
ASSEMBLY.
- 4) INSTALL CROSSOVER USING #7 BOLTS AND #8 WASHERS.
USING 5/16 HEX SOCKET TORQUE TO 35 FT. LBS..
- 5) USING 5/8 SOCKET REMOVE THE IDLER PULLEY ON THE
STARBOARD SIDE OF THE CROSSOVER. INSTALL UPPER SEA
PUMP #11 BOLT & #9 WASHER INTO THE BRACKET.
REINSTALL IDLER PULLEY.
- 6) ROTATE SEA PUMP ALL THE WAY OUT. USING 5/8 & 7/16
HEX SOCKET, TORQUE BOLTS TO 45 FT. LBS..
- 7) SLIDE #9 WASHER & #3 SPACERS OVER #12 BOLT.
- 8) SLIDE #5 IDLER SPACES INTO THE BACKSIDE OF #4
IDLERS. INSTALL BOLTS INTO IDLERS AND INSTALL INTO
BLOCK. USING 5/8 SOCKET, TOQUE TO 45 FT. LBS..
- 9) APPLY LIQUID TEFLON TO #1 FITTING AND INSTALL INTO
WATER INLET.



HARDIN
MARINE

11 Industry Dr. Palm Coast, FL 32137
386-445-2500 / FAX 386-445-1122

PART NO.

625-828X

TITLE: BBC CROSSOVER STYLE SERPENTINE
DRIVE KIT INSTALLATION - STEP 4

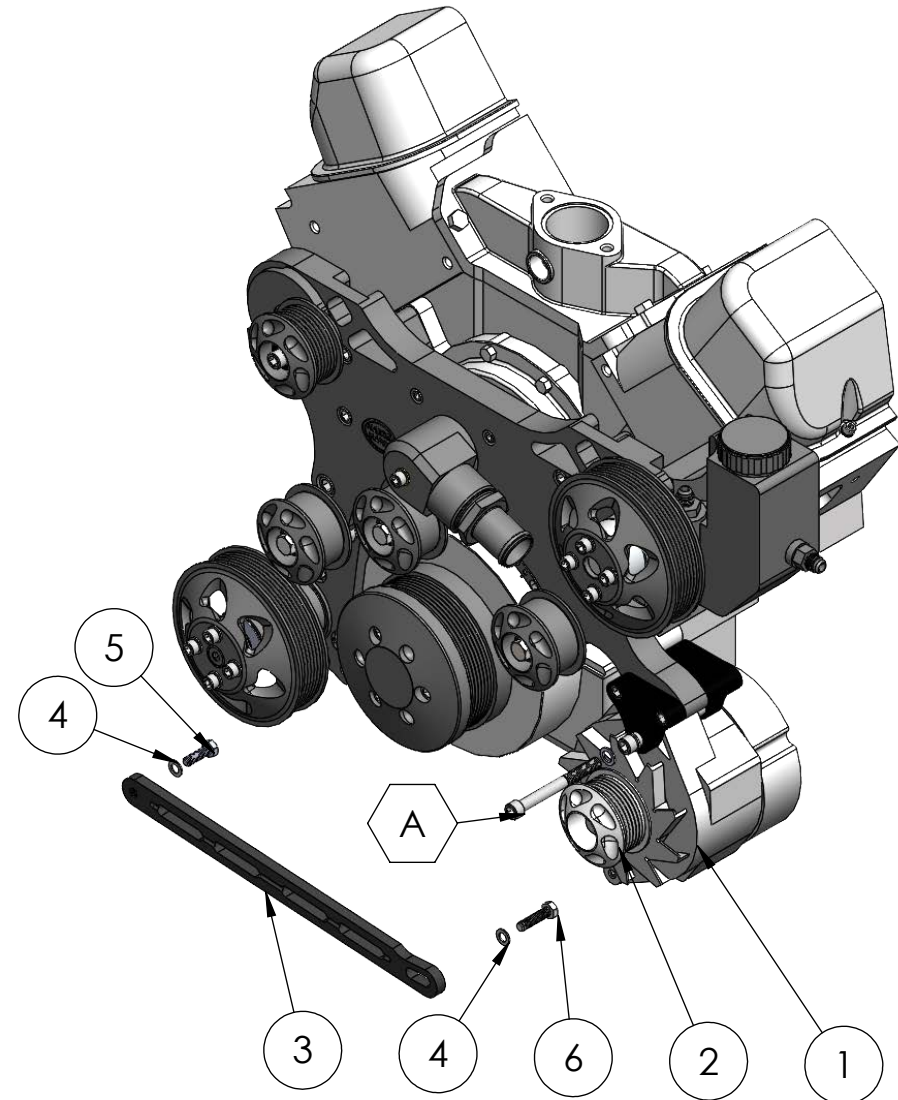
www.hardin-marine.com

ASSEMBLY IS USED FOR 625-8280, 625-8281, 625-8282 &
625-8283 DRIVE KITS.

INSTALLATION INSTRUCTIONS:

- 1) THE ALTERNATOR PULLEY COMES INSTALLED ON THE ALTERNATOR.
- 2) REMOVE THE 3/8 x 3-1/2 BOLT THAT COMES WITH THE ALTERNATOR BRACKET, FIG. A.
- 3) APPLY LOCTITE TO THE ALTERNATOR BOLT. SLIDE ALTERNATOR INTO THE BRACKET. USING 5/16 HEX SOCKET SNUG THE BOLT.
- 4) APPLY RED LOCTITE TO BOTH #5 & 6 BOLTS. INSTALL #4 WASHER ONTO THE BOLTS.
- 5) POSITION #3 CROSS SUPPORT ON THE FRONT SIDE OF THE SEA PUMP BRACKET. INSTALL #5 BOLT AND WASHER FROM THE BACK SIDE OF THE BRACKET AND SCREW INTO THE SUPPORT RAIL.
- 6) ON THE ALTERNATOR SIDE, THE BRACKET SITS BEHIND THE ALTERNATOR. SLIDE #6 BOLT AND WASHER IN FROM THE BACK SIDE AND SCREW INTO THE SUPPORT RAIL.
- 7) SLIDE ALTERNATOR ALL THE WAY OUT. USING 5/16 HEX SOCKET TIGHTEN UPPER BOLT TO 30 FT. LBS..
- 8) USING 1/2 SOCKET TORQUE BOTH SUPPORT RAILS BOLTS TO 20 IN. LBS..
- 9) THIS IS A SINGLE WIRE SELF EXCITING INTERNALLY REGULATED ALTERNATOR. CONNECT THE BATTERY CABLE TO THE B+ STUD ON THE BACKSIDE OF THE ALTERNATOR. THE GROUND TAB IS NOT NECESSARY AS IT IS NEGATIVE GROUND AND GROUNDS THROUGH THE ENGINE. THE MERCURY PURPLE EXCITER WIRE IS NOT USED.

ITEM NO.	PART NUMBER	DESCRIPTION	QTY.
1	620-3147M-NC	94 AMP CHROME ALTERNATOR	1
2	625-3130	PULLEY, ALTERNATOR	1
3	625-3133	RAIL, SERPENTINE CROSS SUPPORT	1
4	90031AN-STSS	WASHER, 5/16 AN	2
5	90031C100HHS	BOLT, 5/16-18 x 1.00	1
6	90031C125HHS	BOLT, 5/16-18x1.25	1



THIS DRAWING IS CONFIDENTIAL AND IS SUPPLIED ON EXPRESS CONDITION THAT IT SHALL NOT BE LENT, COPIED OR DISCLOSED TO ANY OTHER PERSON OR USED FOR ANY OTHER PURPOSE WITHOUT WRITTEN CONSENT OF HARDIN MARINE INC.. BREACH OF THIS CONTRACT WILL HOLD AND IT'S PRINCIPALS LIABLE FOR LOSS AND DAMAGES.

HARDIN
MARINE

11 Industry Dr. Palm Coast, FL 32137
386-445-2500 / FAX 386-445-1122

PART NO.

625-828X

TITLE:

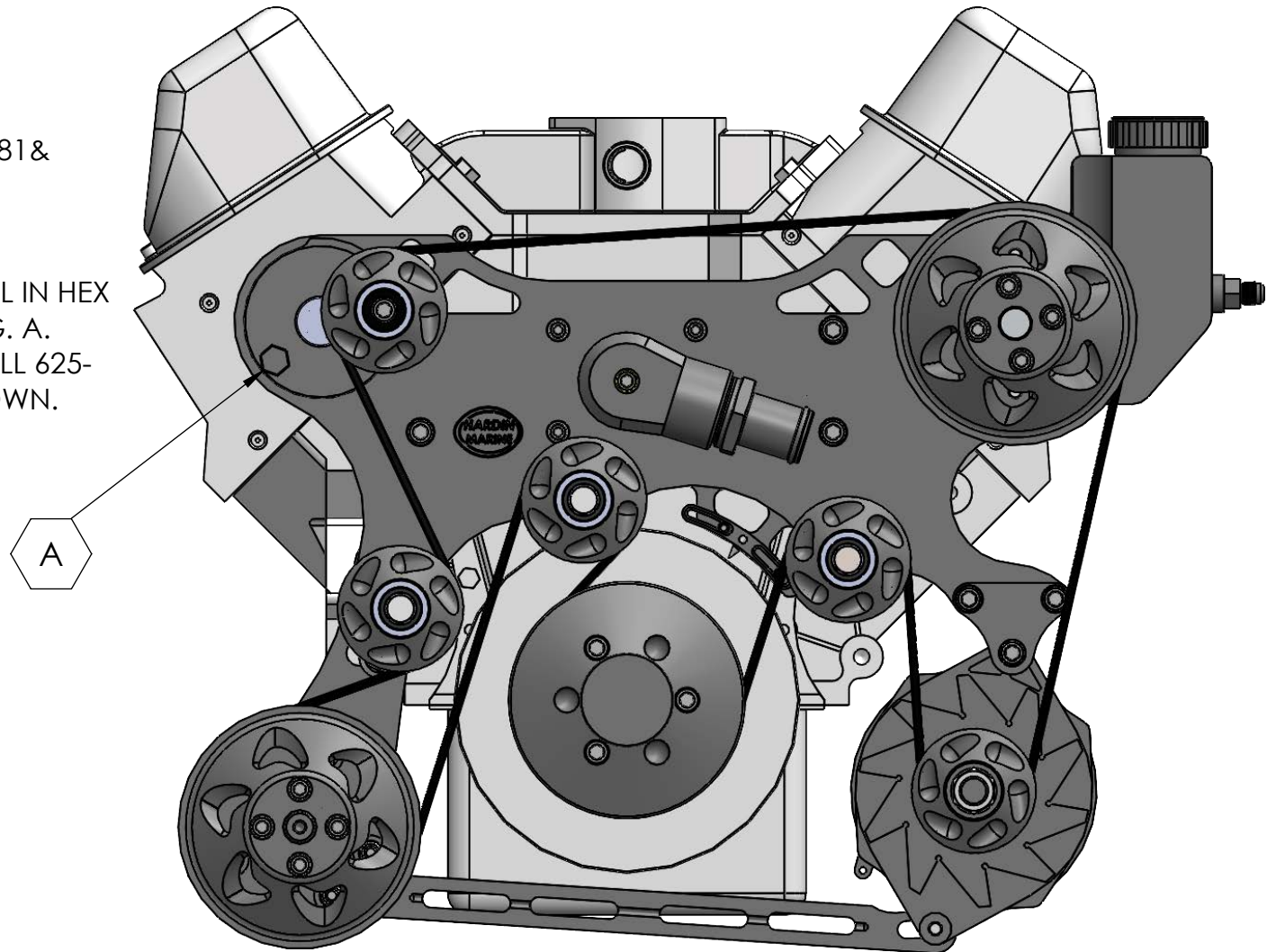
BBC CROSSOVER STYLE SERPENTINE
DRIVE KIT INSTALLATION - STEP 5

www.hardin-marine.com

ASSEMBLY IS USED FOR 625-8281 &
625-8283 DRIVE KITS.

INSTALLATION INSTRUCTIONS:

- 1) USING 5/8 WRENCH, INSTALL IN HEX BOSS ON TENSIONER ARM, FIG. A.
- 2) PULLING UP WRENCH INSTALL 625-2329 SERPENTINE BELT, AS SHOWN.



THIS DRAWING IS CONFIDENTIAL AND IS SUPPLIED ON EXPRESS CONDITION THAT IT SHALL NOT BE LENT, COPIED OR DISCLOSED TO ANY OTHER PERSON OR USED FOR ANY OTHER PURPOSE WITHOUT WRITTEN CONSENT OF HARDIN MARINE INC.. BREACH OF THIS CONTRACT WILL HOLD AND IT'S PRINCIPALS LIABLE FOR LOSS AND DAMAGES.

HARDIN
MARINE

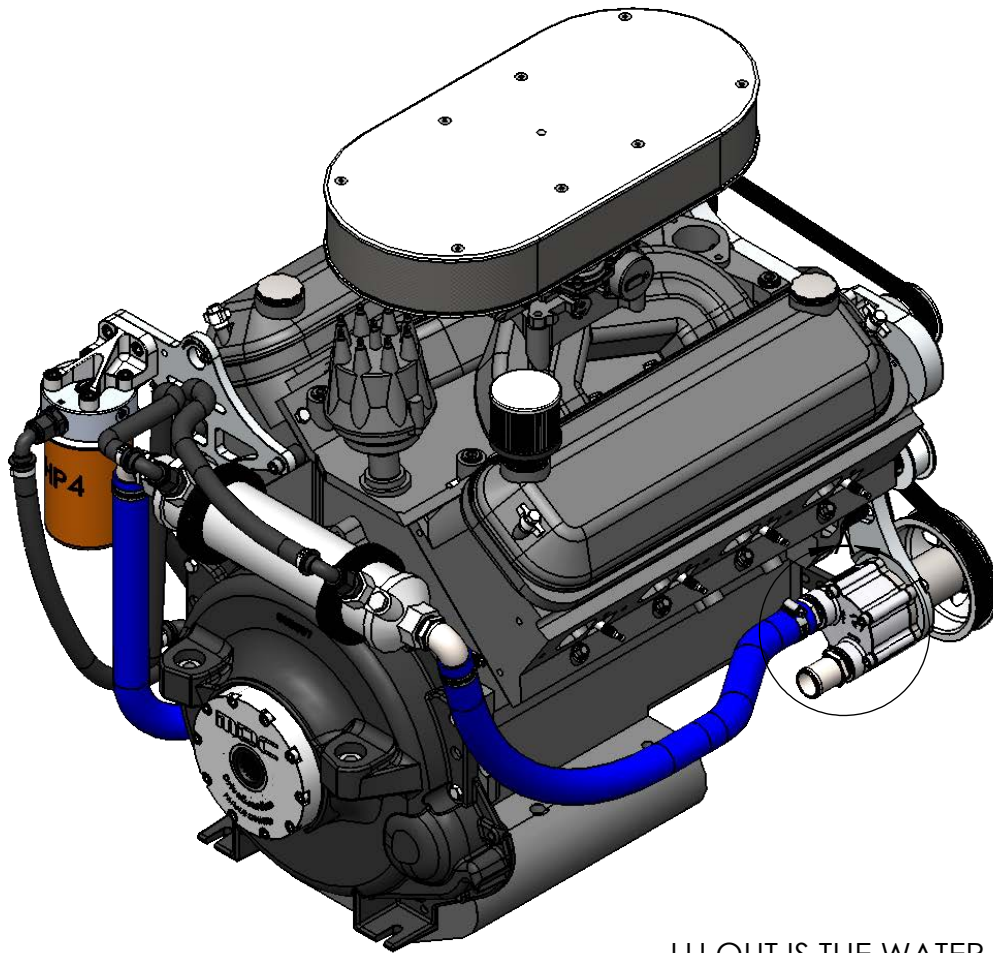
11 Industry Dr. Palm Coast, FL 32137
386-445-2500 / FAX 386-445-1122

PART NO.

625-828X

TITLE: BBC CROSSOVER STYLE SERPENTINE
DRIVE KIT INSTALLATION - STEP 6

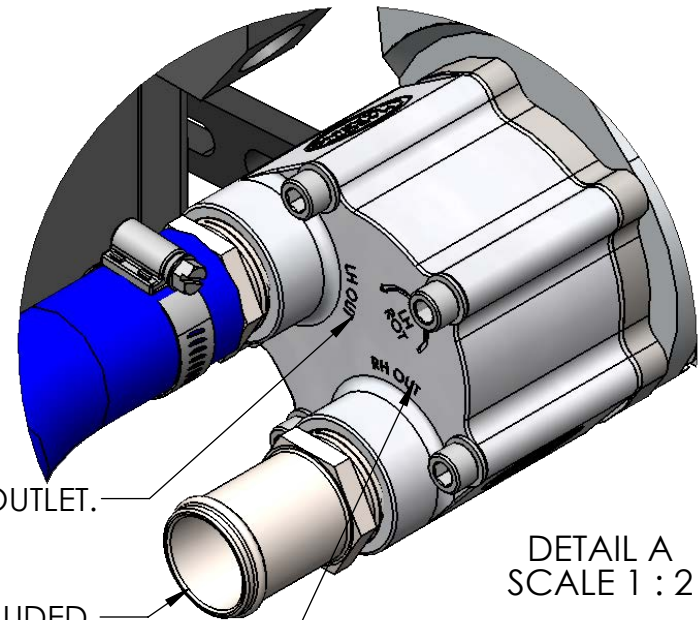
www.hardin-marine.com



ASSEMBLY IS USED FOR 625-8280 & 625-8281 DRIVE KITS.

INSTALLATION INSTRUCTIONS:

- 1) SINGLE STAGE SEA PUMP PLUMBING SHOWN. DUAL STAGE SEA PUMP USED IN KITS 625-8182 & 625-8183 WILL DEPEND ON HOW THE SEA PUMP IS PLUMBED.
- 2) FITTINGS ARE NOT SUPPLIED WITH THE KIT. DRAWING SHOWN WITH 540-222151.
- 3) ON THE BACKSIDE OF THE SEA PUMP. BUNG MARKED RH OUT IS THE FRESH WATER INLET. LH OUT IS THE FRESH WATER EXIT.
- 4) RUN EITHER 1-1/4 OR -24 HOSE, SHOWN IN BLUE, OUT OF THE PUMP.
- 5) PICTURE SHOWS TYPICAL STARBOARD SIDE WATER PLUMBING. OUT IS THE PUMP TO THE OIL COOLER. YOU CAN ALSO INSTALL A FUEL COOLER INLINE BETWEEN THE PUMP AND OIL COOLER.



LH OUT IS THE WATER OUTLET.

540-222151 FITTING 1" NPT x 1-1/4 HOSE BARB NOT INCLUDED.

RH OUT IS THE WATER INLET.

HARDIN
MARINE

11 Industry Dr. Palm Coast, FL 32137
386-445-2500 / FAX 386-445-1122

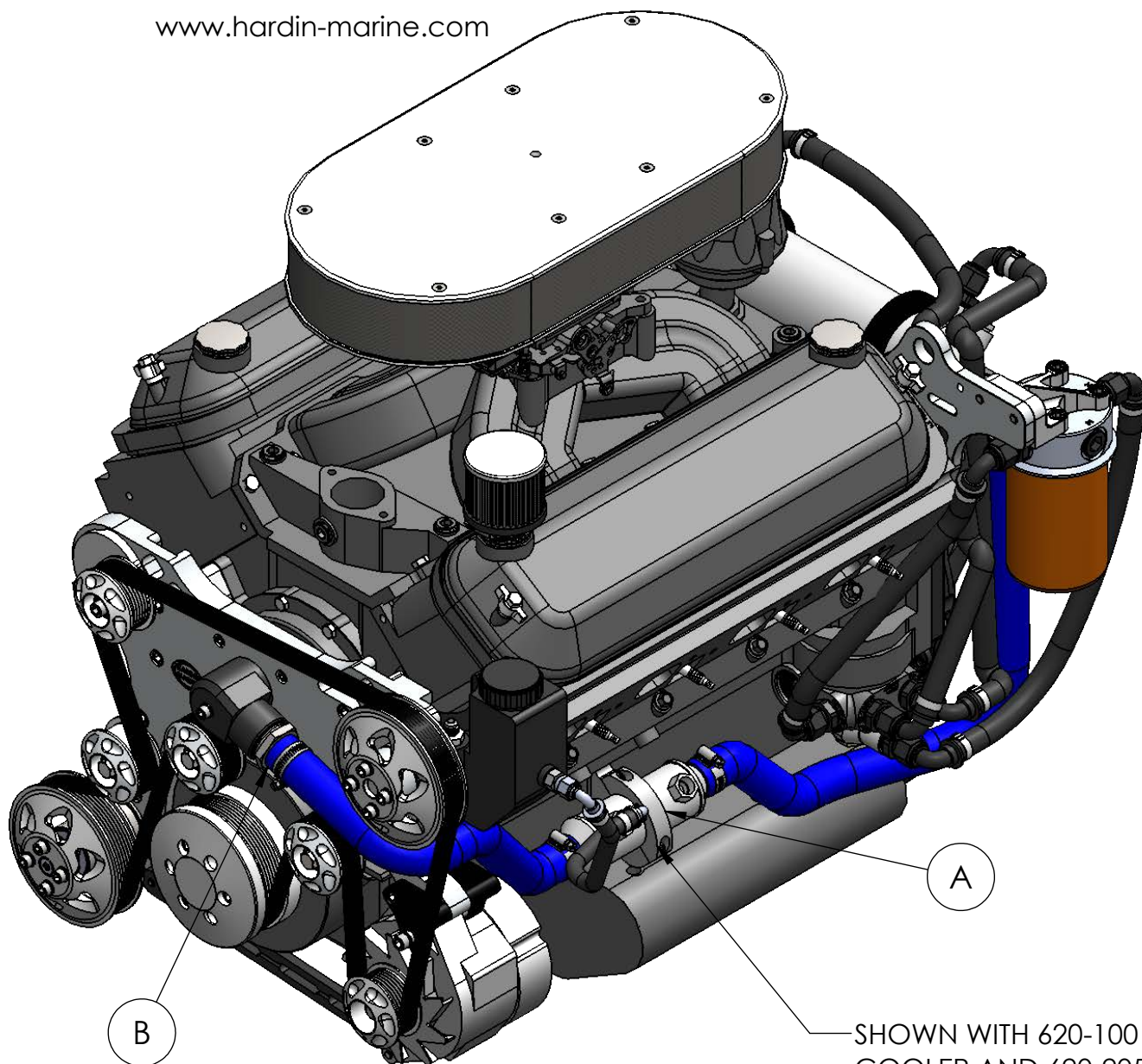
PART NO.

625-828X

TITLE:

BBC CROSSOVER STYLE SERPENTINE
DRIVE KIT INSTALLATION - STEP7

www.hardin-marine.com



ASSEMBLY IS USED FOR 625-8280,
625-8281, 625-828 & 625-8283 DRIVE
KITS.

INSTALLATION INSTRUCTIONS:
1) TYPICAL PORT SIDE FRESH WATER
PLUMBING SHOWN. THE FRESH
WATER INLET HOSE IS SHOWN IN
BLUE.
2) COME OUT OF THE ENGINE
COOLER AND RUN THROUGH THE
POWER STEERING COOLER, FIG. A.
3) COME OUT OF THE POWER
STEERING COOLER RUN INTO THE
FRONT OF THE CROSSOVER, FIG. B.
4) SHOWN WITH 1-1/4 HOSE. YOU
CAN ALSO USE -24 HOSE.

— SHOWN WITH 620-100 POWER STEERING
COOLER AND 620-205 COOLER BRACKET.

THIS DRAWING IS CONFIDENTIAL AND IS SUPPLIED ON EXPRESS CONDITION THAT IT SHALL NOT BE LENT, COPIED OR DISCLOSED TO ANY OTHER PERSON OR USED FOR ANY OTHER PURPOSE WITHOUT WRITTEN CONSENT OF HARDIN MARINE INC.. BREACH OF THIS CONTRACT WILL HOLD AND IT'S PRINCIPALS LIABLE FOR LOSS AND DAMAGES.

HARDIN
MARINE

11 Industry Dr. Palm Coast, FL 32137
386-445-2500 / FAX 386-445-1122

PART NO.

625-828X

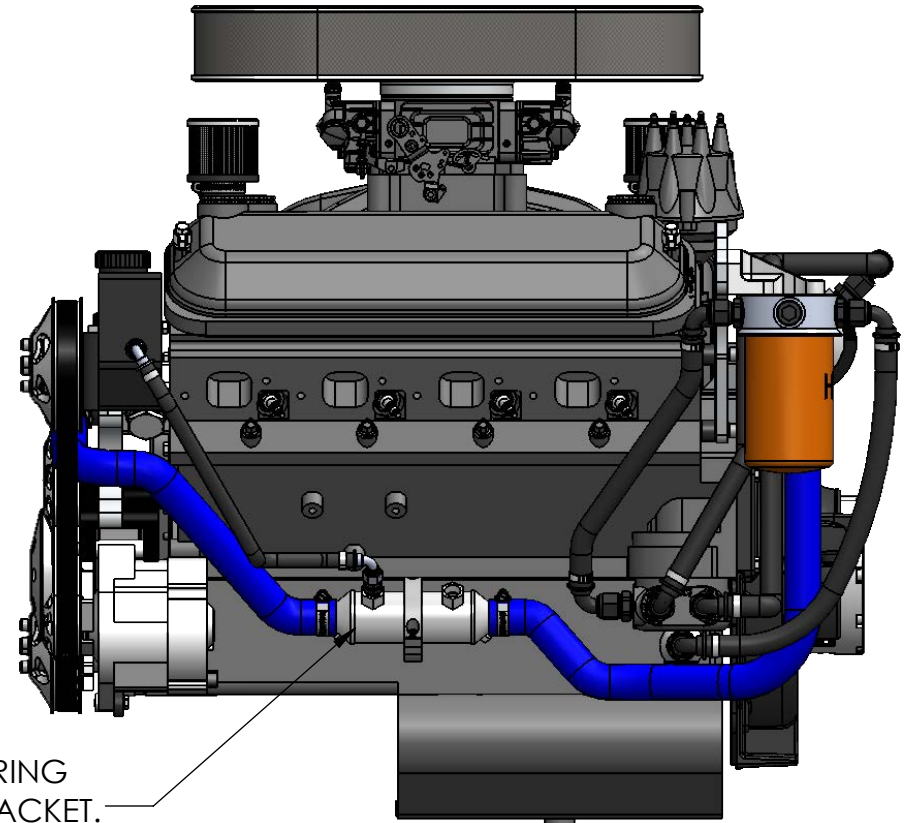
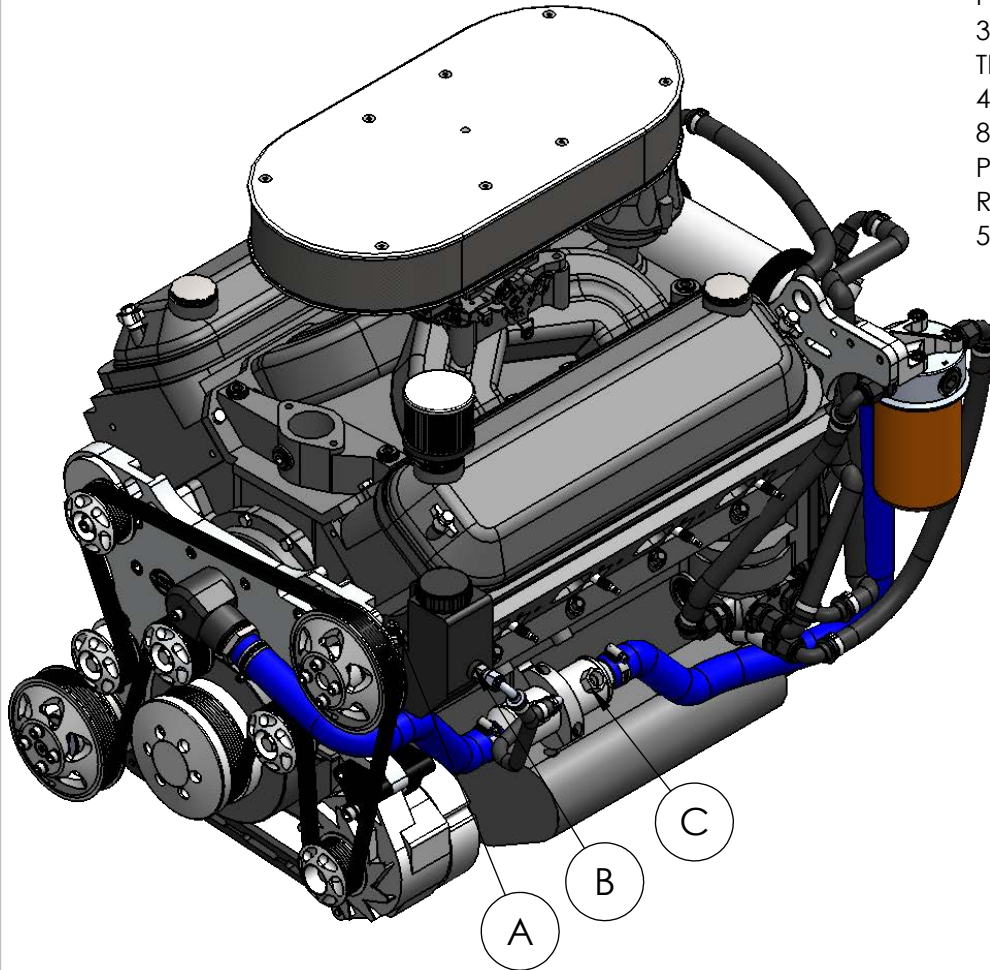
TITLE: BBC CROSSOVER STYLE SERPENTINE
DRIVE KIT INSTALLATION - STEP 8

www.hardin-marine.com

ASSEMBLY IS USED FOR 625-8281 & 625-8283 DRIVE KITS.

POWER STEERING PLUMBING:

- 1) -6 JIC HIGH PRESSURE FITTING COMES OUT THE TOP, SIDE OF THE PUMP, FIG. A.
- 2) -6 JIC LOW PRESSURE RETURN COMES INTO THE SIDE OF THE RESERVOIR, FIG. B.
- 3) AS SHOWN IN THE DRAWING, THE LOW PRESSURE RETURN COMES FROM THE POWER STEERING OIL COOLER, FIG. C.
- 4) IF USING WITH EXTERNAL POWER STEERING RESERVOIR, PURCHASE 625-8171 DUMP CAP TO CONNECT TO RESERVOIR. CAP OFF THE LOWER PRESSURE RETURN. COME OUT OF THE OIL COOLER AND RETURN THE RESERVOIR.
- 5) USE GM POWER STEERING FLUID.



SHOWN WITH 620-100 POWER STEERING
COOLER AND 620-205 COOLER BRACKET.

THIS DRAWING IS CONFIDENTIAL AND IS SUPPLIED ON EXPRESS CONDITION THAT IT SHALL NOT BE LENT, COPIED OR DISCLOSED TO ANY OTHER PERSON OR USED FOR ANY OTHER PURPOSE WITHOUT WRITTEN CONSENT OF HARDIN MARINE INC.. BREACH OF THIS CONTRACT WILL HOLD AND IT'S PRINCIPALS LIABLE FOR LOSS AND DAMAGES.

HARDIN
MARINE

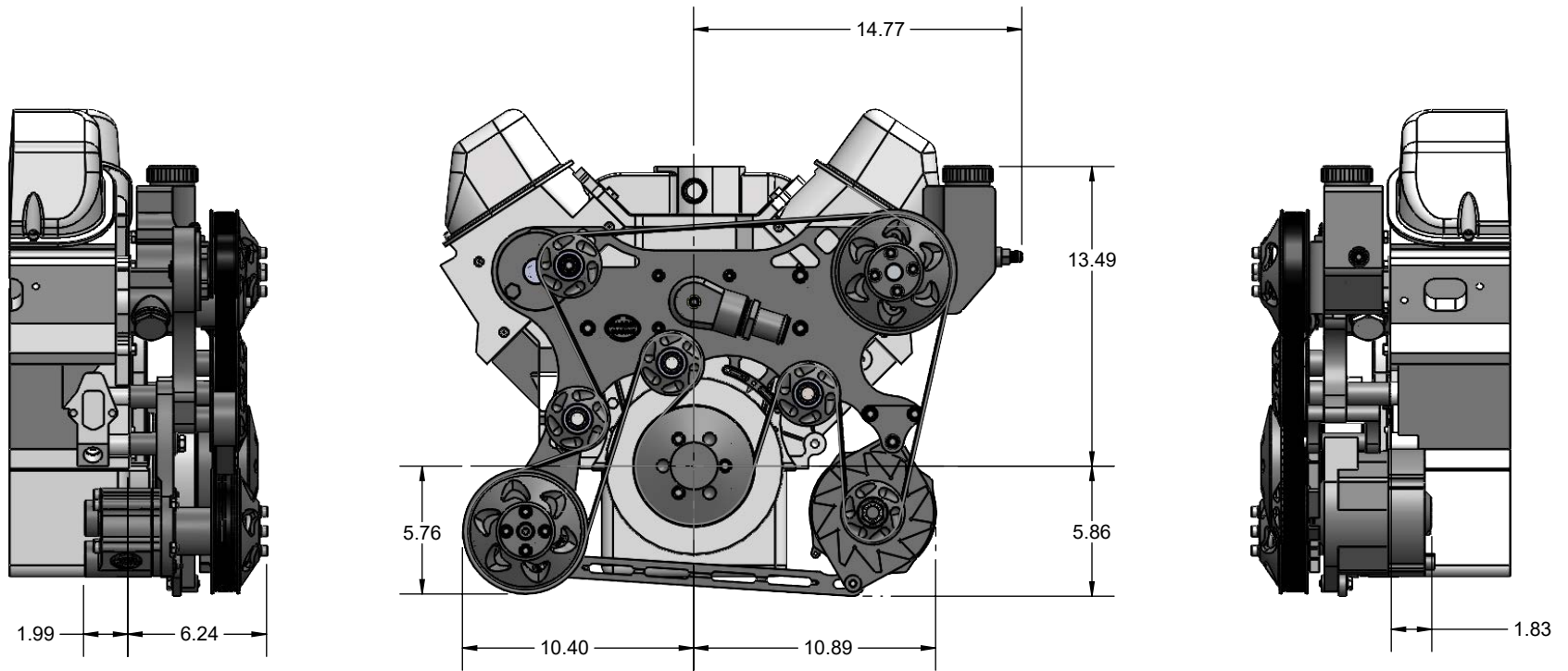
11 Industry Dr. Palm Coast, FL 32137
386-445-2500 / FAX 386-445-1122

PART NO.

625-8281

TITLE: BBC CROSSOVER STYLE SERPENTINE DRIVE KIT w/
SINGLE STG SEA PUMP AND POWER STEERING

www.hardin-marine.com



THIS DRAWING IS CONFIDENTIAL AND IS SUPPLIED ON EXPRESS CONDITION THAT IT SHALL NOT BE LENT, COPIED OR DISCLOSED TO ANY OTHER PERSON OR USED FOR ANY OTHER PURPOSE WITHOUT WRITTEN CONSENT OF HARDIN MARINE INC.. BREACH OF THIS CONTRACT WILL HOLD AND IT'S PRINCIPALS LIABLE FOR LOSS AND DAMAGES.