

**HARDIN MARINE** 11 Industry Dr. Palm Coast, FL 32137  
386-445-2500 / FAX 386-445-1122

PART NO.  
625-7731/  
625-7732

ITEM NO.	PART NUMBER	DESCRIPTION	QTY.
1	625-7757	BRKT, HORIZONTAL	1
2	625-7650	HEAD, FILTER	1
3	625-2021	PIPE PLUG, 1/8 NPT	1
4	625-2035	PIPE PLUG, 3/4 NPT	1
5	625-7802	ADAPTER, HP4	1
6	625-7803	ADAPTER, HP6	1
7	90037C100SHS	BOLT, SHCS, 3/8-16x1.00	4
8	90037C175SHS	BOLT,SHCS, 3/8-16 x 1-3/4	3
9	90037AN-STSS	WASHER, 3/8 AN	7
10	625-7754	BUSHING, HEAD MOUNT BRACKETS	3

TITLE:

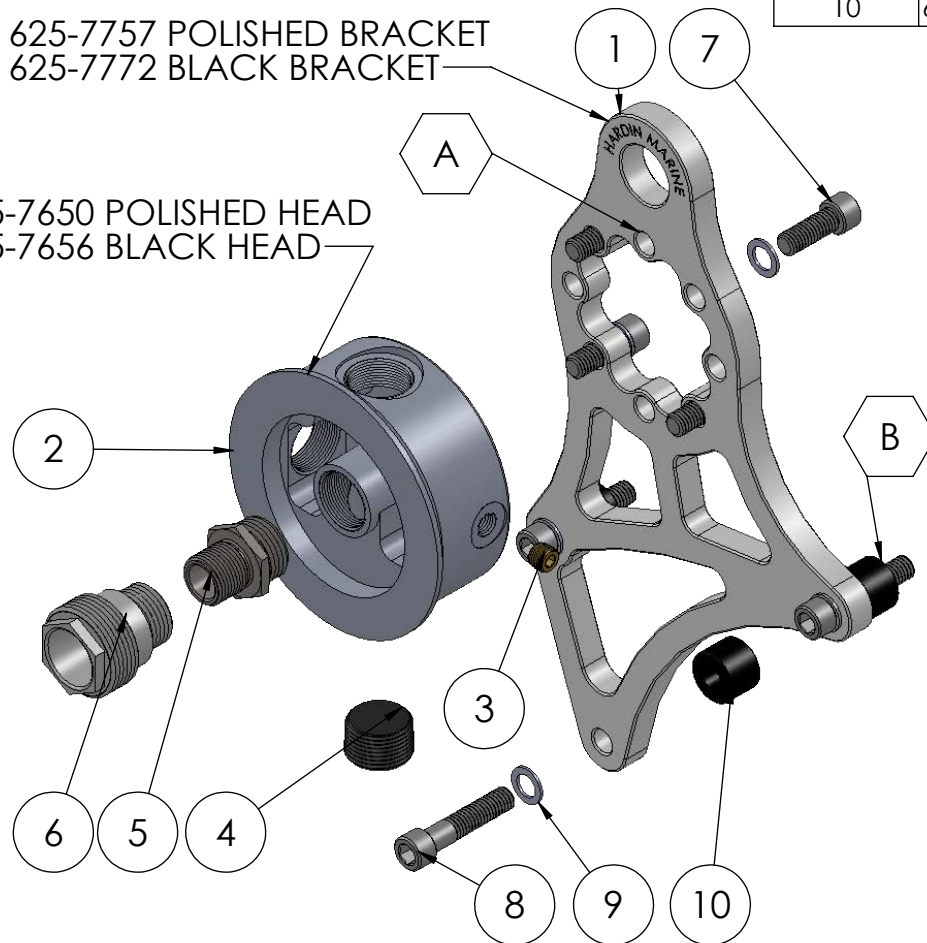
## HORIZONTAL OIL FILTER ASSEMBLY

[www.hardin-marine.com](http://www.hardin-marine.com)

625-7731 HAS POLISHED BRACKET AND HEAD.  
625-7732 HAS BLACK BRACKET AND HEAD.

625-7757 POLISHED BRACKET  
625-7772 BLACK BRACKET

625-7650 POLISHED HEAD  
625-7656 BLACK HEAD



### INSTALLATION INSTRUCTIONS:

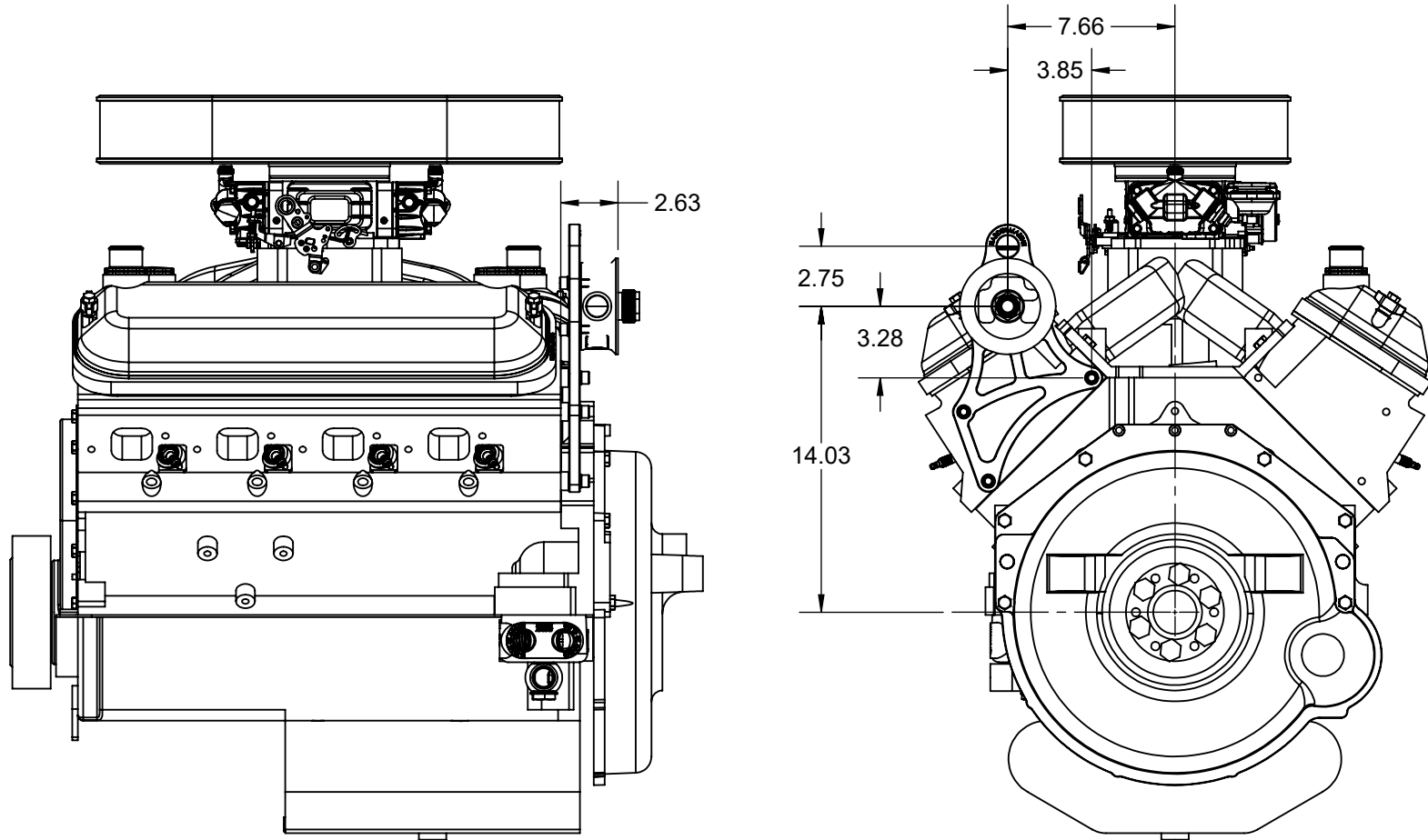
- 1) FILTER HEAD HAS (2) 3/4 NPT INLETS TO AID IN PLUMBING. SUPPLIED IS 625-2035 PIPE PLUG TO PLUG OFF INLET THAT IS NOT BEING USED.
- 2) FILTER HEAD AS HAS 1/8 NPT PORT THAT CAN BE USED FOR PRESSURE GAUGE OR FOR VALVE SPRING OILERS. SUPPLIED IS 625-2021 PIPE PLUG IF YOU DO NOT NEED THIS PORT.
- 3) 625-7757 BRACKET CAN BE MOUNTED EITHER PORT OR STARBOARD AND FRONT OR BACK. FIG.A SHOWS THE BRACKET HAS 8 MOUNTING HOLES SO HEAD CAN BE ROTATED EVERY 45 DEGREES.
- 4) MOUNT HEAD TO BRACKET USING BLUE LOCTITE ON THE 3/8-16 x 1" BOLTS MOUNTING BOLTS. TORQUE TO 30 FT. LBS..
- 5) INSTALL 625-7754 SPACERS BETWEEN CYLINDER HEAD AND BRACKET, FIG. B. MOUNT BRACKET TO CYLINDER HEAD USING BLUE LOCTITE ON THE 3/8-16 x 1-3/4 BOLTS MOUNTING BOLTS. TORQUE TO 30 FT. LBS..
- 6) FILTER HEAD IS SUPPLIED WITH 625-7802 HP4 AND 625-7803 HP6 FILTER ADAPTERS. INSTALL ADAPTER INTO THE FILTER HEAD USING BLUE LOCTITE. TORQUE TO 50 FT. LBS..

HARDIN MARINE 11 Industry Dr. Palm Coast, FL 32137  
386-445-2500 / FAX 386-445-1122

PART NO.  
625-7731/  
625-7732

TITLE:  
HORIZONTAL OIL FILTER HEAD

[www.hardin-marine.com](http://www.hardin-marine.com)



THIS DRAWING IS CONFIDENTIAL AND IS SUPPLIED ON EXPRESS CONDITION THAT IT SHALL NOT BE LENT, COPIED OR DISCLOSED TO ANY OTHER PERSON OR USED FOR ANY OTHER PURPOSE WITHOUT WRITTEN CONSENT OF HARDIN MARINE INC.. BREACH OF THIS CONTRACT WILL HOLD ..... AND IT'S PRINCIPALS LIABLE FOR LOSS AND DAMAGES.

HARDIN  
MARINE

11 Industry Dr. Palm Coast, FL 32137  
386-445-2500 / FAX 386-445-1122

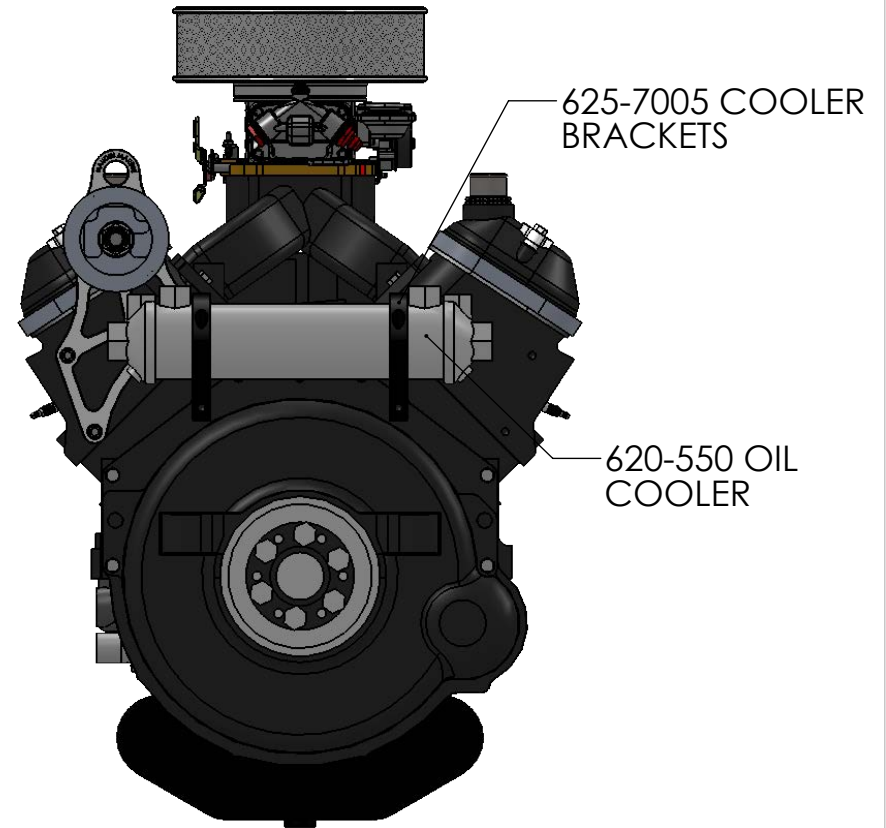
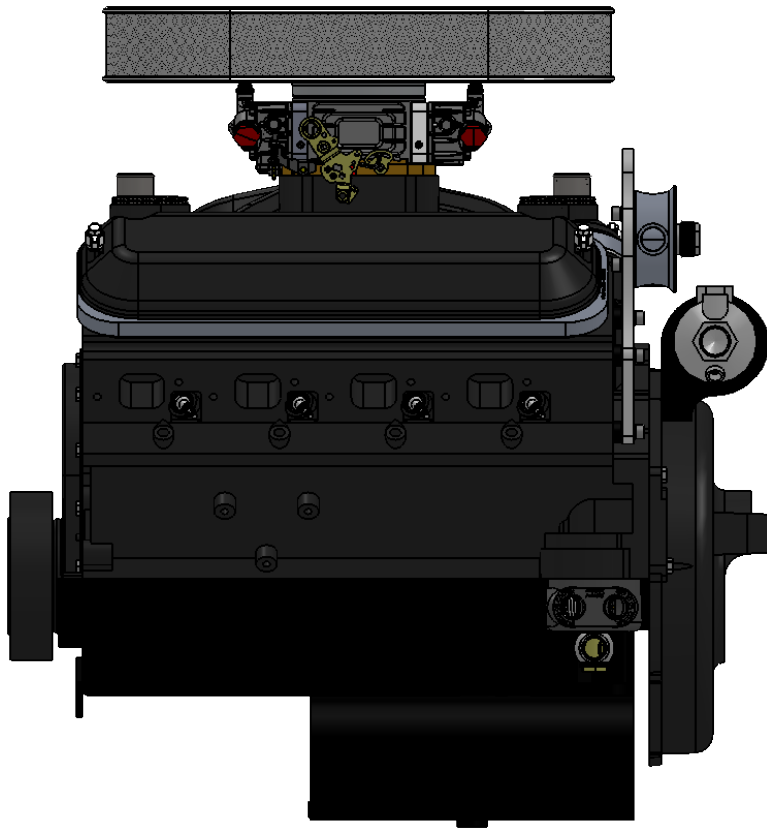
PART NO.

625-7731/  
625-7732

TITLE:

HORIZONTAL OIL FILTER HEAD INSTALLED  
WITH TUBE STYLE OIL COOLER

[www.hardin-marine.com](http://www.hardin-marine.com)



THIS DRAWING IS CONFIDENTIAL AND IS SUPPLIED ON EXPRESS CONDITION THAT IT SHALL NOT BE LENT, COPIED OR DISCLOSED TO ANY OTHER PERSON OR USED FOR ANY OTHER PURPOSE WITHOUT WRITTEN CONSENT OF HARDIN MARINE INC.. BREACH OF THIS CONTRACT WILL HOLD ..... AND IT'S PRINCIPALS LIABLE FOR LOSS AND DAMAGES.