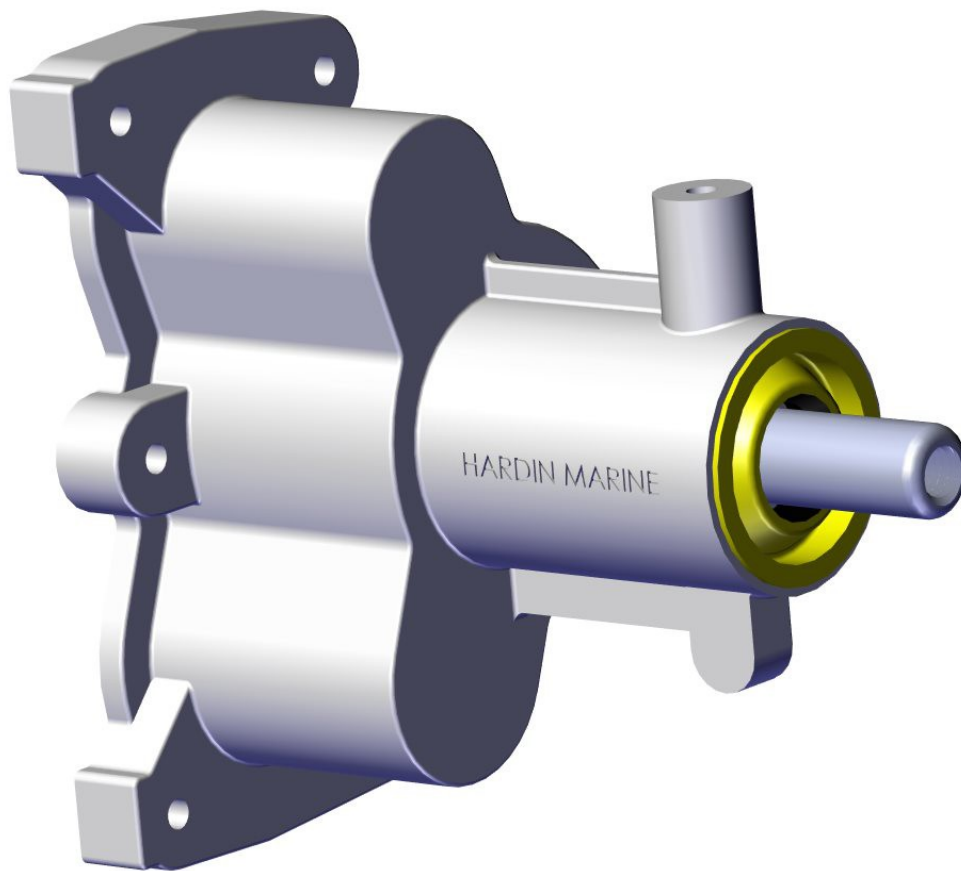




GEN 7 SEA PUMP
625-4102



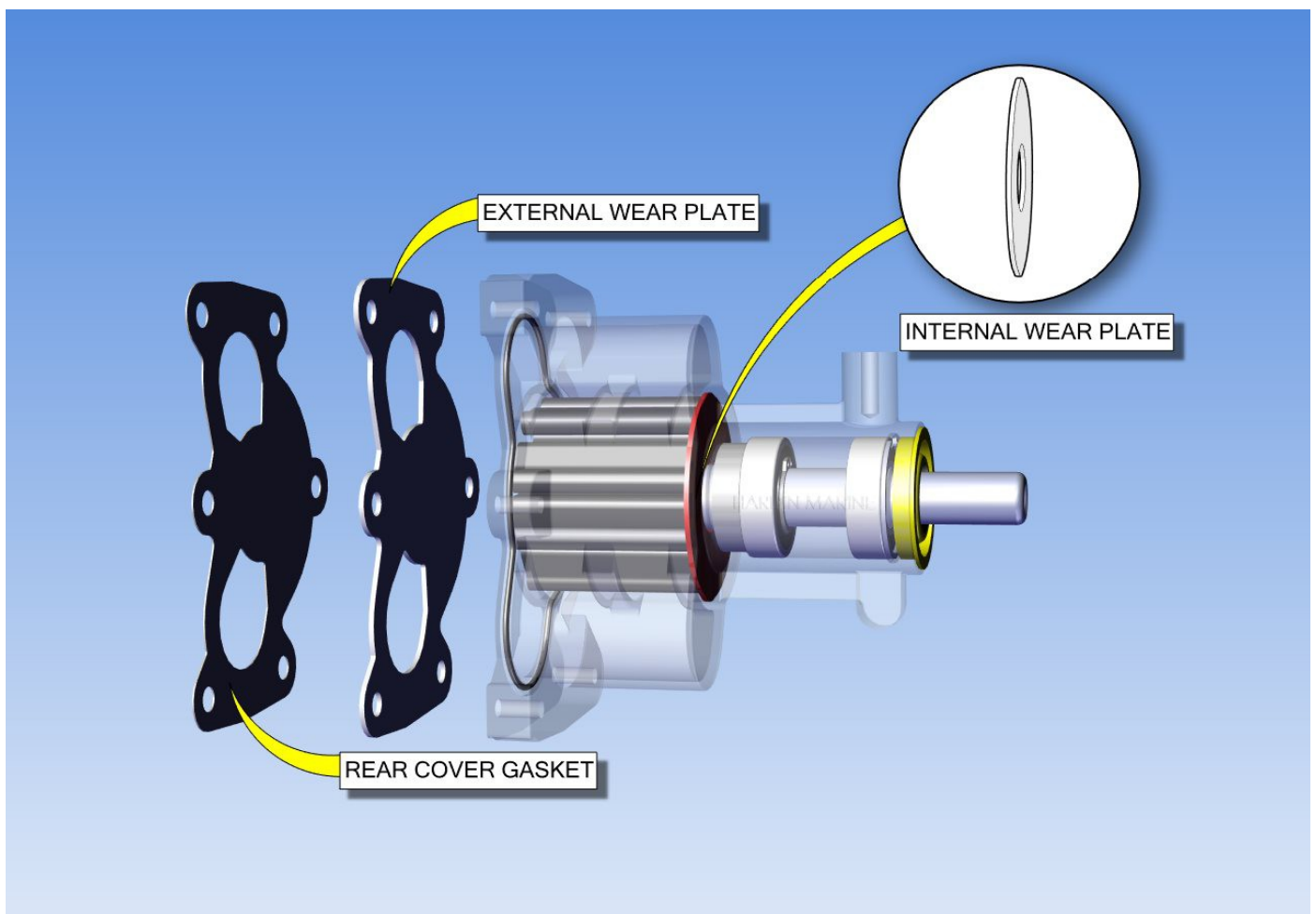


GEN 7 SEA PUMP

625-4102

HARDIN MARINE ADVANTAGE

- **316 STAINLESS STEEL POLISHED BODY.**
- **INTERNAL WEAR PLATE DESIGN PROVIDES A LIFETIME OF SERVICE.**
- **EXTERNAL WEAR PLATE ALLOWS STOCK REAR COVER TO BE REUSED REGARDLESS OF PREVIOUS WEAR DAMAGE.**
- **20% LARGER PUMP SHAFT ACCEPTS MOST POPULAR OEM MERCRUISER IMPELLERS**



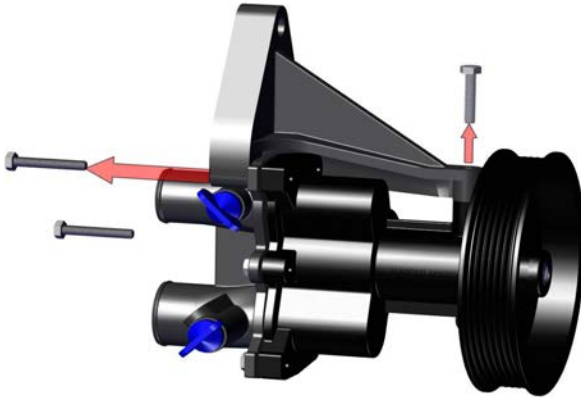


GEN 7 SEA PUMP

625-4102

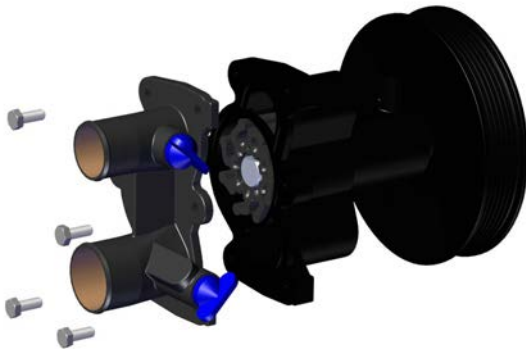
Step 1

1. Remove the belt.
2. Remove both hoses from the pump.
3. Using a 10 mm socket, remove the 3 bolts as shown.



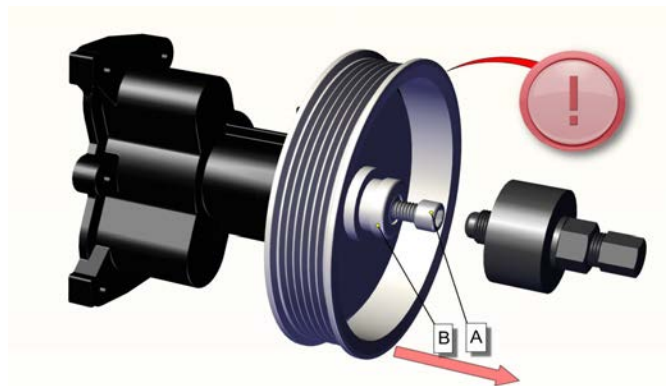
Step 2

1. Using 10 mm socket remove the remaining 4 bolts as shown.
2. Save the rear cover.



Step 3

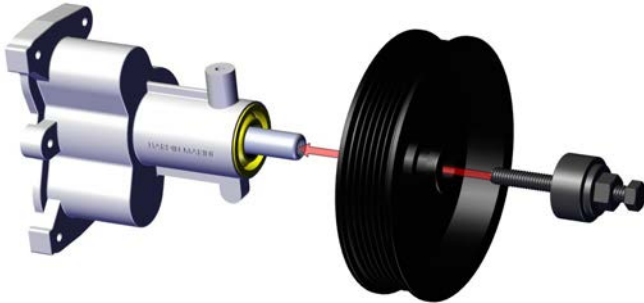
1. Install 3/8-16 socket cap screw into the shaft, Fig A.
2. Using OTC-7185 remover. Attached to groove in the pulley, Fig B.
3. Never pull on the outside diameter of the pulley.





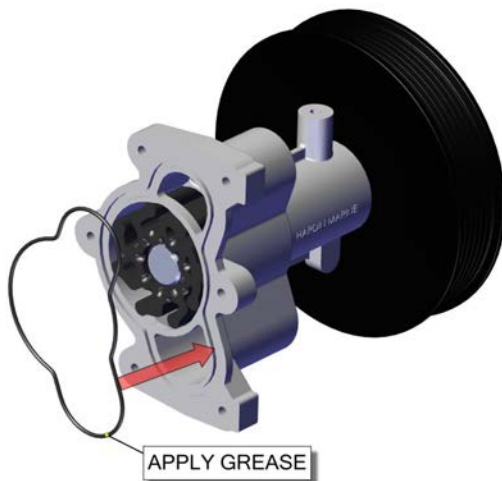
GEN 7 SEA PUMP 625-4102

Step 4



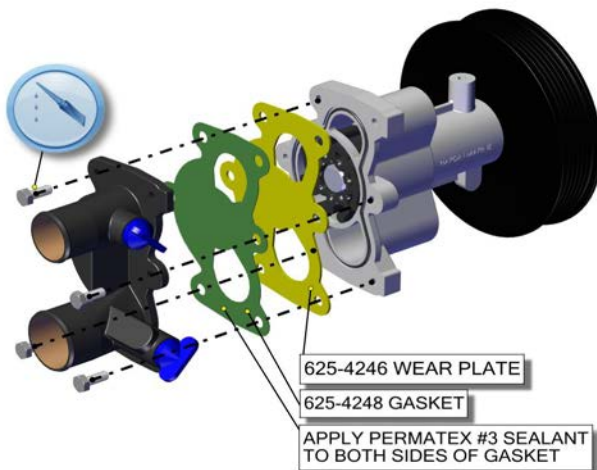
1. Screw OTC-7209 installer into the shaft.
2. Apply grease to the shaft.
3. Install pulley to the same position that it was installed on the stock pump.

Step 5



1. Apply white lithium grease to the o-ring and install into the new pump housing groove.
2. Apply white lithium grease to the end of the impeller.

Step 6

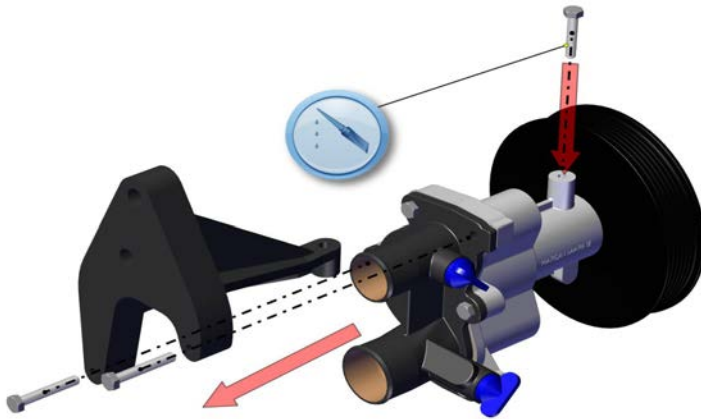


1. Apply Permatex #3 sealant to both sides of gasket, as shown.
2. Apply anti-sieze to the 4 rear cover bolts.
3. Install rear cover, gasket & wear plate as shown.
4. Lightly tighten the bolts.



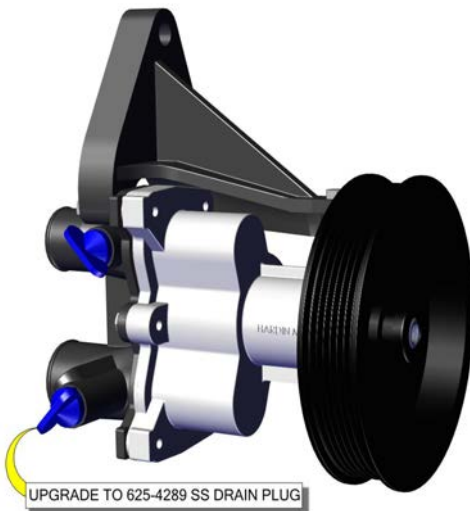
GEN 7 SEA PUMP

625-4102



Step 7

1. Apply anti-sieze to the remaining 3 bolts.
2. Install pump as shown.
3. Torque all 7 bolts to 6 ft. lbs..



Step 8

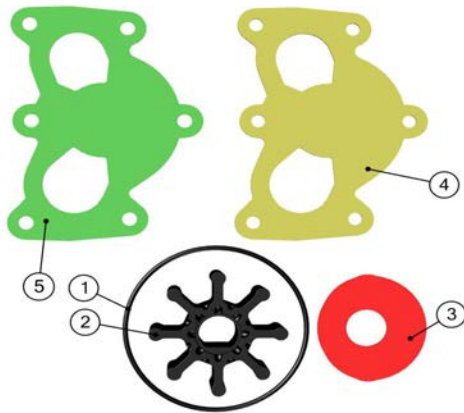
1. Attach hoses and belt. Check belt alignment.
2. As a preventive maintenance, replace the plastic Mercury drain plugs with Hardin stainless steel drain plugs.

REPLACEMENT REBUILD KITS



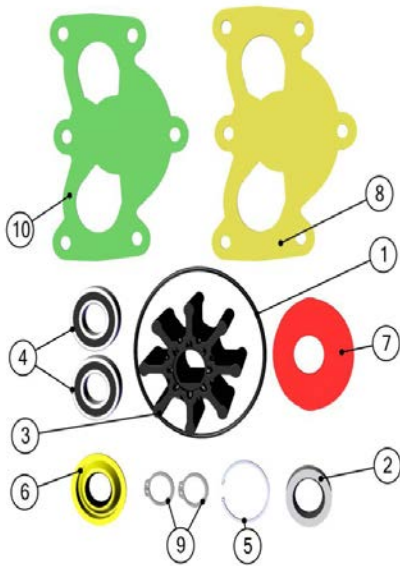
GEN 7 SEA PUMP

625-4102



625-4203 STANDARD REBUILD KIT

#	PART #	DESCRIPTION	QTY
1	625-1053	ORING	1
2	625-4011	IMPELLER	1
3	625-4245	WEAR PLATE-INT.	1
4	625-4246	WEAR PLATE-REAR	1
5	625-4248	GASKET	1



625-4204 DELUXE REBUILD KIT

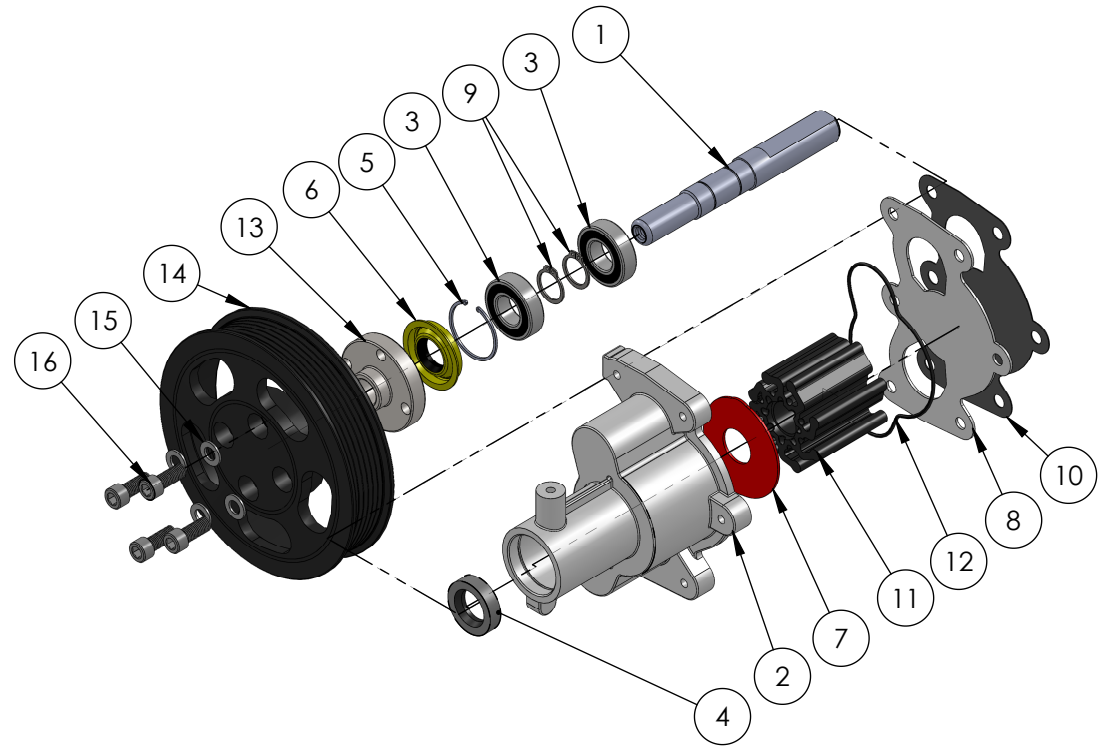
#	PART #	DESCRIPTION	QTY
1	625-1153	ORING	1
2	625-4005	SEAL	1
3	625-4011	IMPELLER	1
4	625-4242	BEARING	2
5	625-4243	SNAP RING	1
6	625-4244	SEAL	1
7	625-4245	WEAR PLATE-INT	1
8	625-4246	WEAR PLATE-REAR	1
9	625-4247	SNAP RING	2
10	625-4248	GASKET	1

HARDIN MARINE 11 Industry Dr. Palm Coast, FL 32137
386-445-2500 / FAX 386-445-1122

PART NO.
625-4101

TITLE:
GEN 7 EXPLODED VIEW

ITEM NO.	PART NUMBER	DESCRIPTION	QTY.
1	625-4241	SHAFT, GEN 7 SEA PUMP	1
2	625-4240	BODY, GEN 7	1
3	625-4242	BEARING, GEN 7	2
4	625-4005	SEAL, SEA PUMP	1
5	625-4243	RING, SNAP	1
6	625-4244	SEAL, SEA PUMP	1
7	625-4245	WEAR PLATE, INTERNAL	1
8	625-4246	WEAR PLATE, REAR	1
9	625-4247	RING	2
10	625-4248	GASKET, GEN 7	1
11	625-4011	IMPELLER, SEA PUMP	1
12	625-1153	O-RING, GEN 7	1
13	625-4263	HUB, GEN 7 SEA PUMP	1
14	625-4262	PULLEY	1
15	90031AN-STSS	WASHER, 5/16 AN	4
16	90031F075SHS	BOLT, SHCS, 5/16-24x.75	4



www.hardin-marine.com

PART NUMBERS 13, 14, 15 & 16 ARE PART OF
625-4101 SEA PUMP WITH PULLEY.

THIS DRAWING IS CONFIDENTIAL AND IS SUPPLIED ON EXPRESS CONDITION THAT IT SHALL NOT BE LENT, COPIED OR DISCLOSED TO ANY OTHER PERSON OR USED FOR ANY OTHER PURPOSE WITHOUT WRITTEN CONSENT OF HARDIN MARINE INC.. BREACH OF THIS CONTRACT WILL HOLD AND IT'S PRINCIPALS LIABLE FOR LOSS AND DAMAGES.