

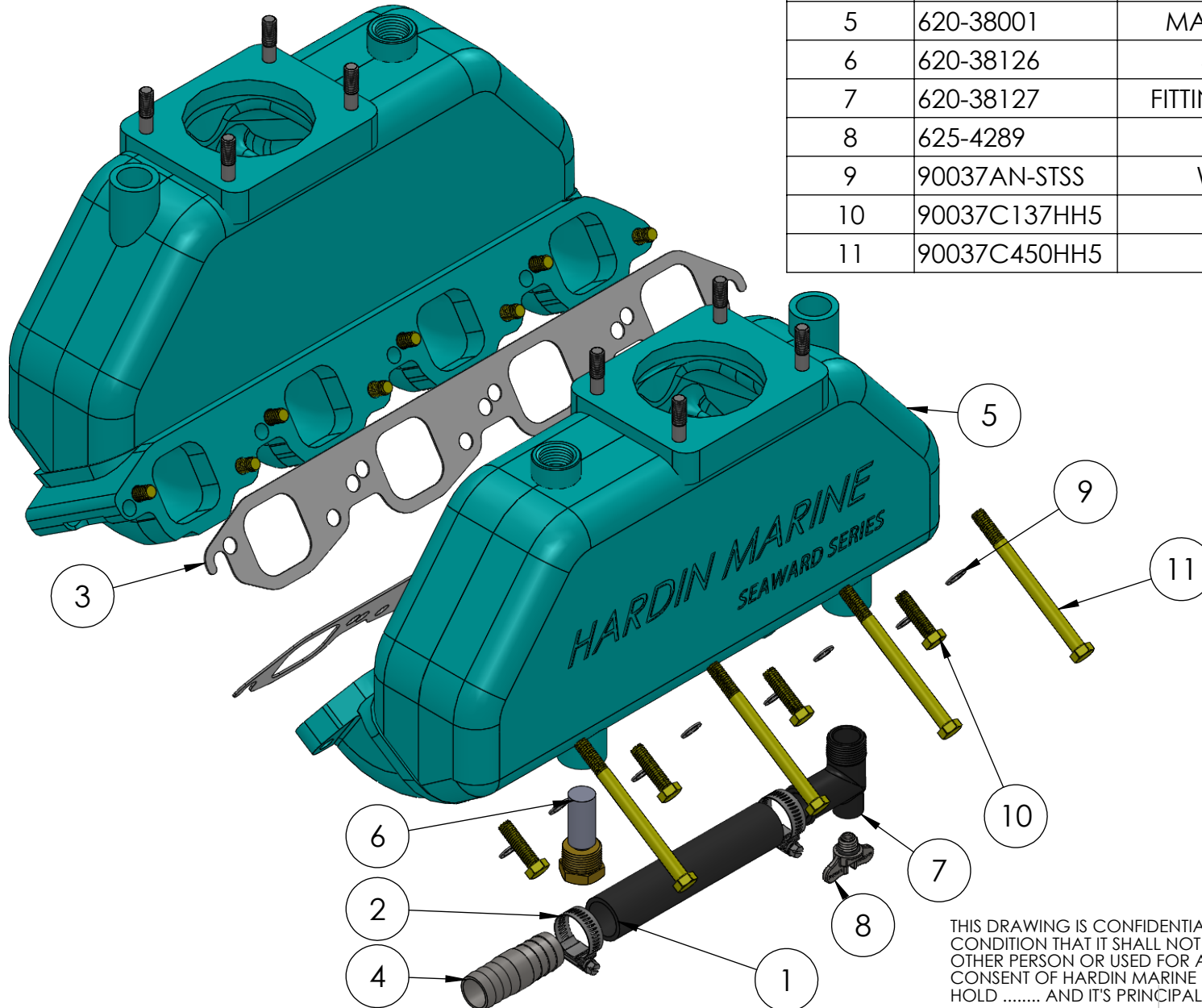
HARDIN MARINE 11 Industry Dr. Palm Coast, FL 32137
386-445-2500 / FAX 386-445-1122

PART NO.
620-38032

TITLE: SEAWARD BBC MANIFOLDS PARTS
BREAKDOWN 620-38000& 620-38100

www.hardin-marine.com

| ITEM NO. | PART NUMBER | DESCRIPTION | QTY. |
|----------|--------------|------------------------|------|
| 1 | 100-100-1004 | 1" WATER HOSE | 2 |
| 2 | 100-720-6316 | HOSE CLAMP | 4 |
| 3 | 300-1413 | GASKET | 2 |
| 4 | 540-223025 | SPLICE, 1" HOSE | 2 |
| 5 | 620-38001 | MANIFOLD ASSEMBLY | 2 |
| 6 | 620-38126 | 3/4 NPT ANODE | 2 |
| 7 | 620-38127 | FITTING, SEAWARD INLET | 2 |
| 8 | 625-4289 | DRAIN PLUG | 2 |
| 9 | 90037AN-STSS | WASHER, 3/8 AN | 16 |
| 10 | 90037C137HH5 | BOLT, 3/8-16 | 8 |
| 11 | 90037C450HH5 | BOLT, 3/8-16 | 8 |



THIS DRAWING IS CONFIDENTIAL AND IS SUPPLIED ON EXPRESS
CONDITION THAT IT SHALL NOT BE LENT, COPIED OR DISCLOSED TO ANY
OTHER PERSON OR USED FOR ANY OTHER PURPOSE WITHOUT WRITTEN
CONSENT OF HARDIN MARINE INC.. BREACH OF THIS CONTRACT WILL
HOLD AND IT'S PRINCIPALS LIABLE FOR LOSS AND DAMAGES.

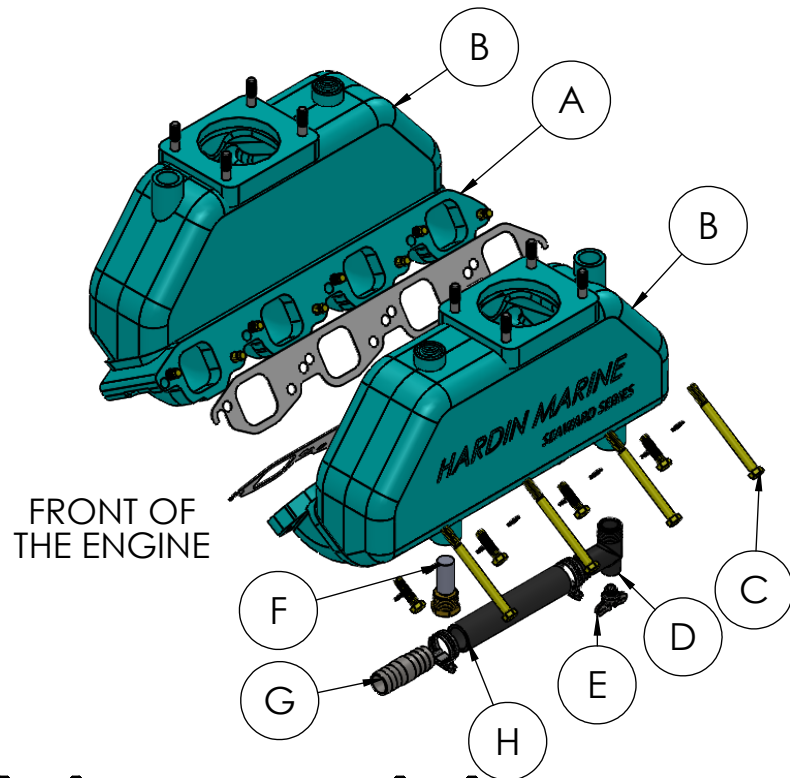
TITLE: SEAWARD BBC MANIFOLDS INSTALLATION
620-38000 & 620-38100

www.hardin-marine.com

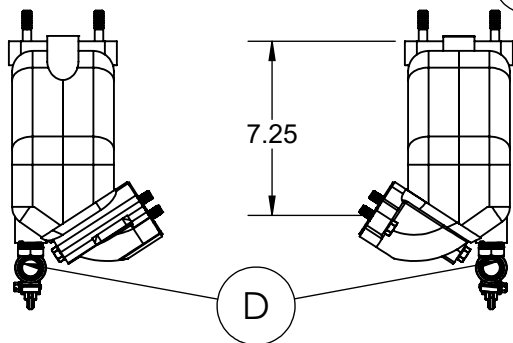
INSTALLATION INSTRUCTIONS:

- 1) MAKE SURE CYLINDER HEAD EXHAUST MOUNTING SURFACE IS FREE OF KNICKS AND ANY OLD GASKET MATERIAL IS REMOVED. SEALANT IS NOT REQUIRED ON THE NEW SUPPLIED GASKETS. FIG. A.
- 2) THE PORT AND STARBOARD MANIFOLDS ARE THE SAME PART AND CAN BE USED ON EITHER SIDE OF THE ENGINE. FIG. B.
- 3) INSTALL MANIFOLDS WITH THE SUPPLIED 3/8 BOLTS AND WASHERS. APPLY ANTI-SIEZE TO 3/8 MOUNTING BOLTS, FIG.C . USING A 9/16 SOCKET, TORQUE TO 30 FT. LBS..
- 4) SIDE VIEW BELOW AND ISOMETRIC VIEW TO THE LEFT SHOWS PORT SIDE MANDATORY WATER INLET POSITION. 1" HOSE BARB FITTING MUST BE INSTALLED INTO THE BOTTOM, REAR PORT OF THE MANIFOLD, FIG. D. NO ADDITIONAL SEALANT IS NEEDED. CAREFULL NOT TO CROSS THREAD THE FITTING. DO NOT OVER TIGHTEN.
- 5) INSTALL DRAIN PLUG, FIG. E, INTO THE BOTTOM OF THE WATER INLET BUNG.
- 6) USING 1-1/16 SOCKET, INSTALL 3/4 ANODE PLUG, FIG. F, INTO THE FRONT WATER INLET BUNG. NO ADDITIONAL SEALANT IS NEEDED.
- 7) INSTALL 1" SPLICE, FIG. G INTO YOUR EXISTING STOCK WATER INLET HOSE.
- 8) CUT TO LENGTH THE PROVIDED HOSE, FIG. H TO CONNECT THE STOCK HOSE TO WATER INLET FITTING IN THE REAR OF THE MANIFOLD, FIG. D. INSTALL HOSE CLAMPS. (MAKE SURE IT IS A CONSTANT FLOW WATER SUPPLY).
- 9) GO TO 620-38046 TAILPIPE INSTRUCTIONS TO COMPLETE INSTALLATION.

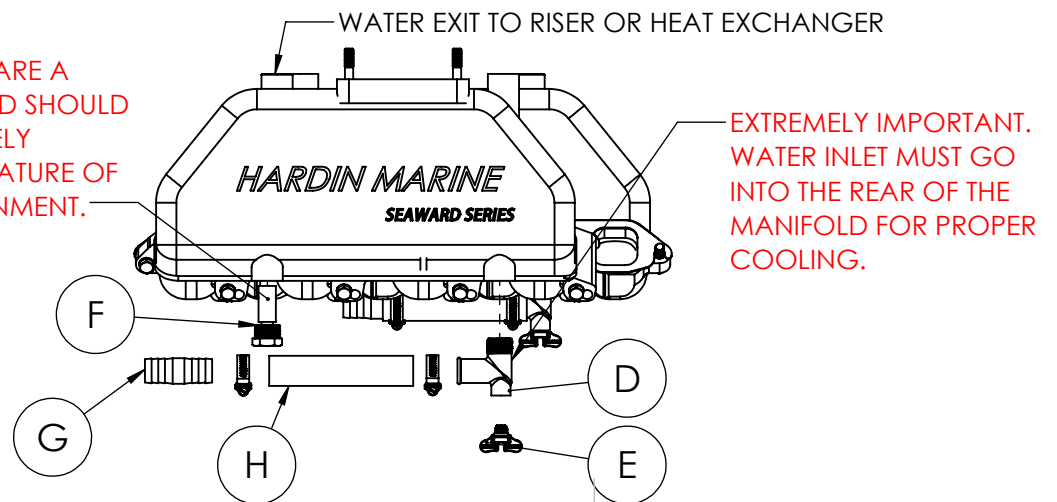
CAUTION HARDIN MARINE MANIFOLD SYSTEMS ARE DESIGNED FOR USE ON ENGINES WITH FULL TIME CONSTANT WATER CIRCULATION AT ALL TIMES. NOTE** AFTER APPROXIMATELY 2-5 HOURS USE OR NUMEROUS ENGINE HEAT CYCLES ALL HARDWARE MUST BE RETORQUED AND OR TIGHTENED.**



FRONT OF THE ENGINE



WARNING ANODES ARE A SERVICEABLE PART AND SHOULD BE INSPECTED ROUTINELY DEPENDING ON THE NATURE OF THE BOATING ENVIRONMENT.**



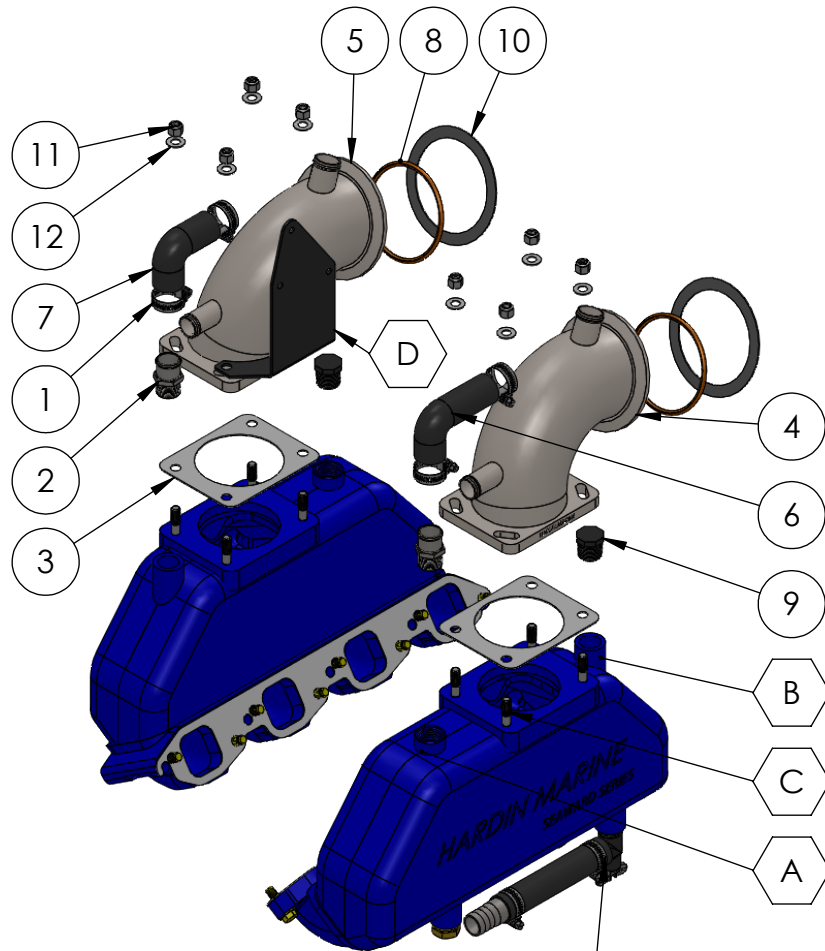
THIS DRAWING IS CONFIDENTIAL AND IS SUPPLIED ON EXPRESS CONDITION THAT IT SHALL NOT BE LENT, COPIED OR DISCLOSED TO ANY OTHER PERSON OR USED FOR ANY OTHER PURPOSE WITHOUT WRITTEN CONSENT OF HARDIN MARINE INC.. BREACH OF THIS CONTRACT WILL HOLD AND IT'S PRINCIPALS LIABLE FOR LOSS AND DAMAGES.

HARDIN MARINE 11 Industry Dr. Palm Coast, FL 32137
386-445-2500 / FAX 386-445-1122

PART NO.
620-38041

TITLE:
SEAWARD 525 RISER INSTALLATION

www.hardin-marine.com



CAUTION:
THE WATER INLET HAS TO BE TO THE BACK PORT OF THE EXHAUST MANIFOLDS. WE PROVIDE HOSE AND SLICE TO EXTENDED YOUR STOCK OEM HOSE.

CAUTION** HARDIN MARINE MANIFOLD SYSTEMS ARE DESIGNED FOR USE ON ENGINES WITH FULL TIME CONSTANT WATER CIRCULATION AT ALL TIMES.
NOTE** AFTER APPROXIMATELY 2-5 HOURS USE OR NUMEROUS ENGINE HEAT CYCLES ALL HARDWARE MUST BE RETORQUED AND OR TIGHTENED.

| ITEM NO. | PART NUMBER | DESCRIPTION | QTY. |
|----------|--------------|---------------------------|------|
| 1 | 100-720-6316 | HOSE CLAMP | 4 |
| 2 | 540-222132 | FITTING, 1" BARB | 2 |
| 3 | 620-38006 | RISER GASKET | 2 |
| 4 | 620-38020 | RISER, MERC 525 PORT | 1 |
| 5 | 620-38021 | RISER, MERC 525 STRB | 1 |
| 6 | 620-38029 | HOSE, RISER - PORT | 1 |
| 7 | 620-38030 | HOSE, RISER - STRB | 1 |
| 8 | 620-38056 | O-RING, SEAWARD 525 RISER | 2 |
| 9 | 625-2086 | PLUG, PIPE - 3/4 NPT | 2 |
| 10 | 650-34190 | GASKET, 525 TAILPIPE | 2 |
| 11 | 90037CN-FNSS | NUT, 3/8-16 | 8 |
| 12 | 90037SA-STSS | WASHER, 3/8 SAE | 8 |

INSTALLATION INSTRUCTIONS:

- 1) APPLY LIQUID THREAD SEALANT TO THE SUPPLIED 1" HOSE BARB FITTINGS & 3/4 NPT PIPE PLUGS.
- 2) USING 1-1/16 WRENCH, INSTALL #2 HOSE BARB FITTINGS INTO FRONT OF THE MANIFOLDS, FIG. A.
- 3) USING 1-1/8 WRENCH, INSTALL #9 PIPE PLUGS INTO THE REAR OF THE MANIFOLDS, FIG.B.
- 4) APPLY ANTI-SIEZE TO THE 8 STUDS, FIG. C.
- 5) SLIDE #3 GASKETS OVER STUDS E. DO NOT USE SEALANT ON THE GASKETS.
- 6) INSTALL #6 AND #7 RISERS.
- 7) INSTALL FIG, D, 620-38066 SHIFT BRACKET OVER THE INSIDE STUDS ON THE STARBOARD RISER. FOLLOW INSTALLATION INSTRUCTONS THAT COMES WITH THE BRACKET.
- 8) INSTALL #12 WASHERS AND # 11NUTS. USING A 9/16 CROWS FOOT, TORQUE TO 30 FT. LBS..
- 9) INSTALL #6 AND #7 JUMPER HOSES WITH #1 HOSE CLAMPS.
- 10) THE TAILPIPE FLANGE IS GROOVED TO INSTALL #8 O-RING. INSTALL # 10 GASKETS AND STOCK TAILPIPES. YOU REUSE THE STOCK T-BOLT CLAMPS AND JUMP HOSES.

THIS DRAWING IS CONFIDENTIAL AND IS SUPPLIED ON EXPRESS CONDITION THAT IT SHALL NOT BE LENT, COPIED OR DISCLOSED TO ANY OTHER PERSON OR USED FOR ANY OTHER PURPOSE WITHOUT WRITTEN CONSENT OF HARDIN MARINE INC.. BREACH OF THIS CONTRACT WILL HOLD AND IT'S PRINCIPALS LIABLE FOR LOSS AND DAMAGES.

HARDIN MARINE 11 Industry Dr. Palm Coast, FL 32137
386-445-2500 / FAX 386-445-1122

PART NO.
620-38057

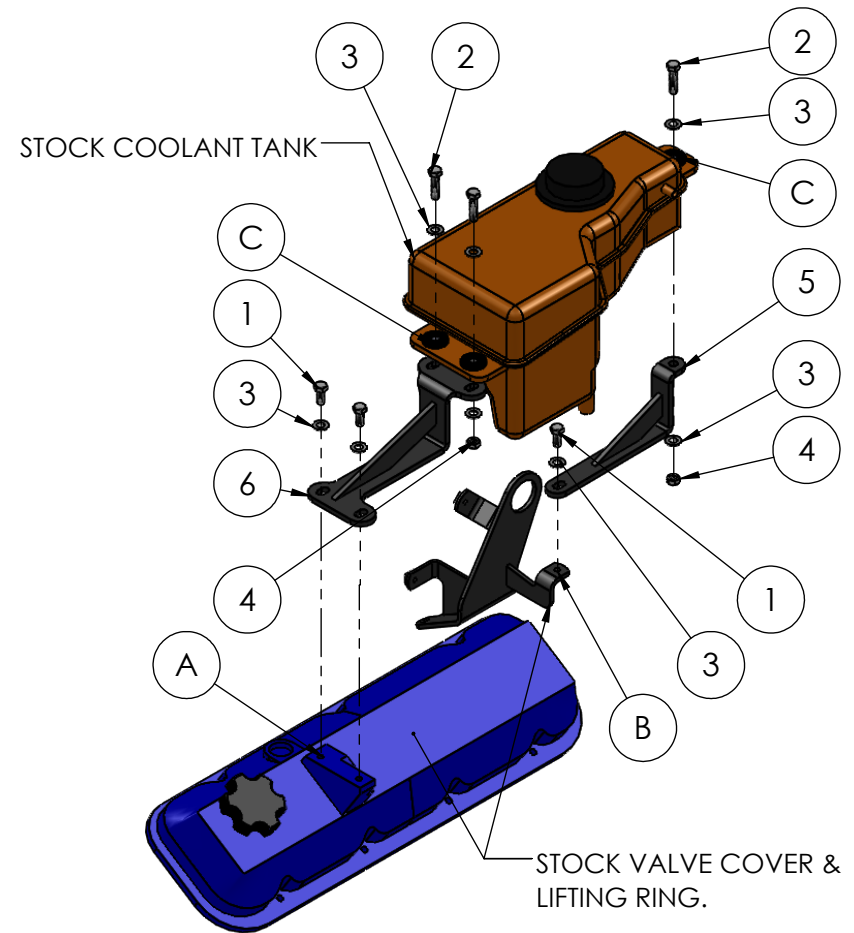
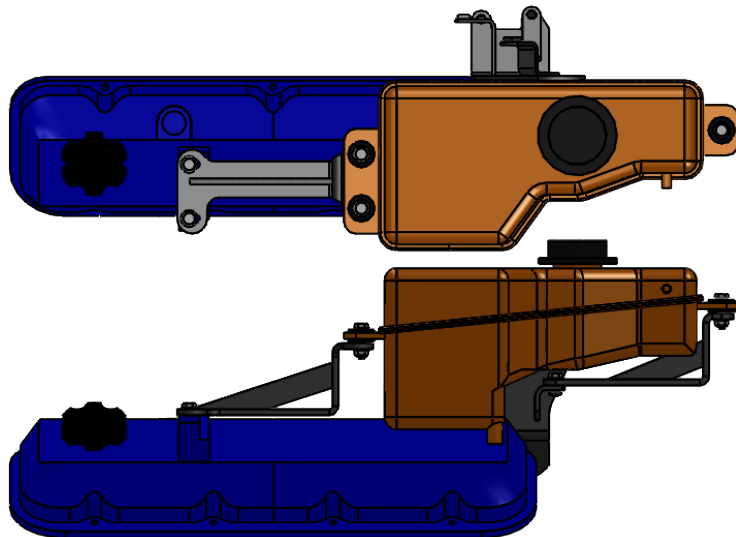
TITLE:
525 COOLANT TANK RELOCATION BRKTS.

www.hardin-marine.com

INSTALLATION INSTRUCTIONS:

- 1) UNBOLT COOLANT TANK FROM VALVE COVER AND LIFTING RING BRACKET.
- 2) APPLY ANTI SIEZE TO THE NEW 5/16-18 BOLTS THAT COME IN THE KIT.
- 3) INSTALL 620-33556 BRACKET, #6 TO THE VALVE COVER HOLES, FIG. A. USE #1 BOLTS AND #3 WASHERS. DO NOT TIGHTEN YET.
- 4) INSTALL 620-33553 BRACKET, #5, TO THE LIFTING RING BRACKET, FIG. B. USE #1 BOLT AND #3 WASHERS. DO NOT TIGHTEN.
- 5) INSTALL #2 BOLTS AND #3 WASHERS INTO THE COOLANT TANK GROMMETS, FIG. C.
- 6) INSTALL COOLANT TANK ONTO THE NEW RELOCATION BRACKET. USE #3 WASHER AND #4 NUTS. DO NOT TIGHTEN.
- 7) RECONNECT HOSES FROM HEAT EXCHANGER.
- 8) AFTER MANIFOLDS AND RISERS ARE INSTALL. POSITION COOLANT TANK AWAY FROM THE RISERS. TIGHTEN ALL BOLTS TO 20 FT. LBS..

| ITEM NO. | PART NUMBER | DESCRIPTION | QTY. |
|----------|--------------|-------------------------------|------|
| 1 | 90031C075HHS | BOLT, 5/16-18 | 3 |
| 2 | 90031C125HHS | BOLT, 5/16-18 | 3 |
| 3 | 90031SA-STSS | WASHER, 5/16 SAE | 9 |
| 4 | 90031CN-HNSS | NUT, NYLON, HALF, 5/16-18 | 3 |
| 5 | 620-33553 | BRACKET, S/W 525 COOLANT TANK | 1 |
| 6 | 620-33556 | BRACKET, S/W 525 COOLANT TANK | 1 |



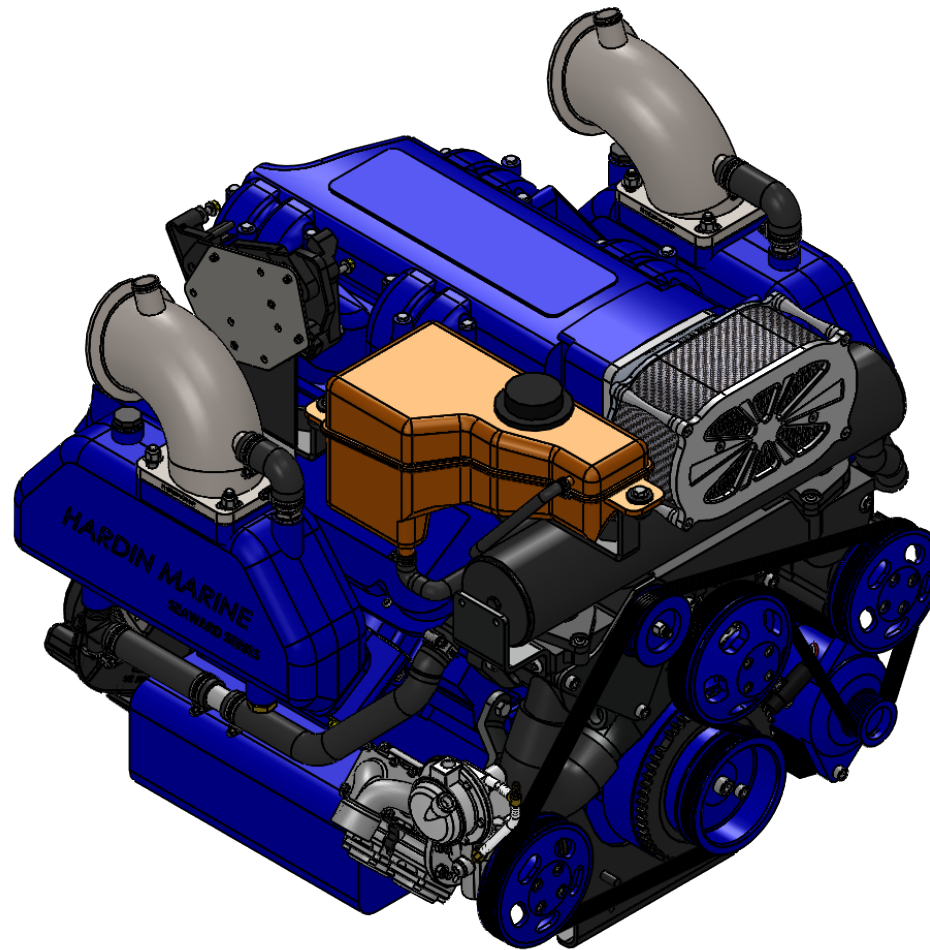
THIS DRAWING IS CONFIDENTIAL AND IS SUPPLIED ON EXPRESS CONDITION THAT IT SHALL NOT BE LENT, COPIED OR DISCLOSED TO ANY OTHER PERSON OR USED FOR ANY OTHER PURPOSE WITHOUT WRITTEN CONSENT OF HARDIN MARINE INC.. BREACH OF THIS CONTRACT WILL HOLD AND IT'S PRINCIPALS LIABLE FOR LOSS AND DAMAGES.

HARDIN MARINE 11 Industry Dr. Palm Coast, FL 32137
386-445-2500 / FAX 386-445-1122

PART NO.
620-38057

TITLE:
525 COOLANT TANK RELOCATION BRKTS.

www.hardin-marine.com



620-38057 INSTALLED VIEW

THIS DRAWING IS CONFIDENTIAL AND IS SUPPLIED ON EXPRESS CONDITION THAT IT SHALL NOT BE LENT, COPIED OR DISCLOSED TO ANY OTHER PERSON OR USED FOR ANY OTHER PURPOSE WITHOUT WRITTEN CONSENT OF HARDIN MARINE INC.. BREACH OF THIS CONTRACT WILL HOLD AND IT'S PRINCIPALS LIABLE FOR LOSS AND DAMAGES.

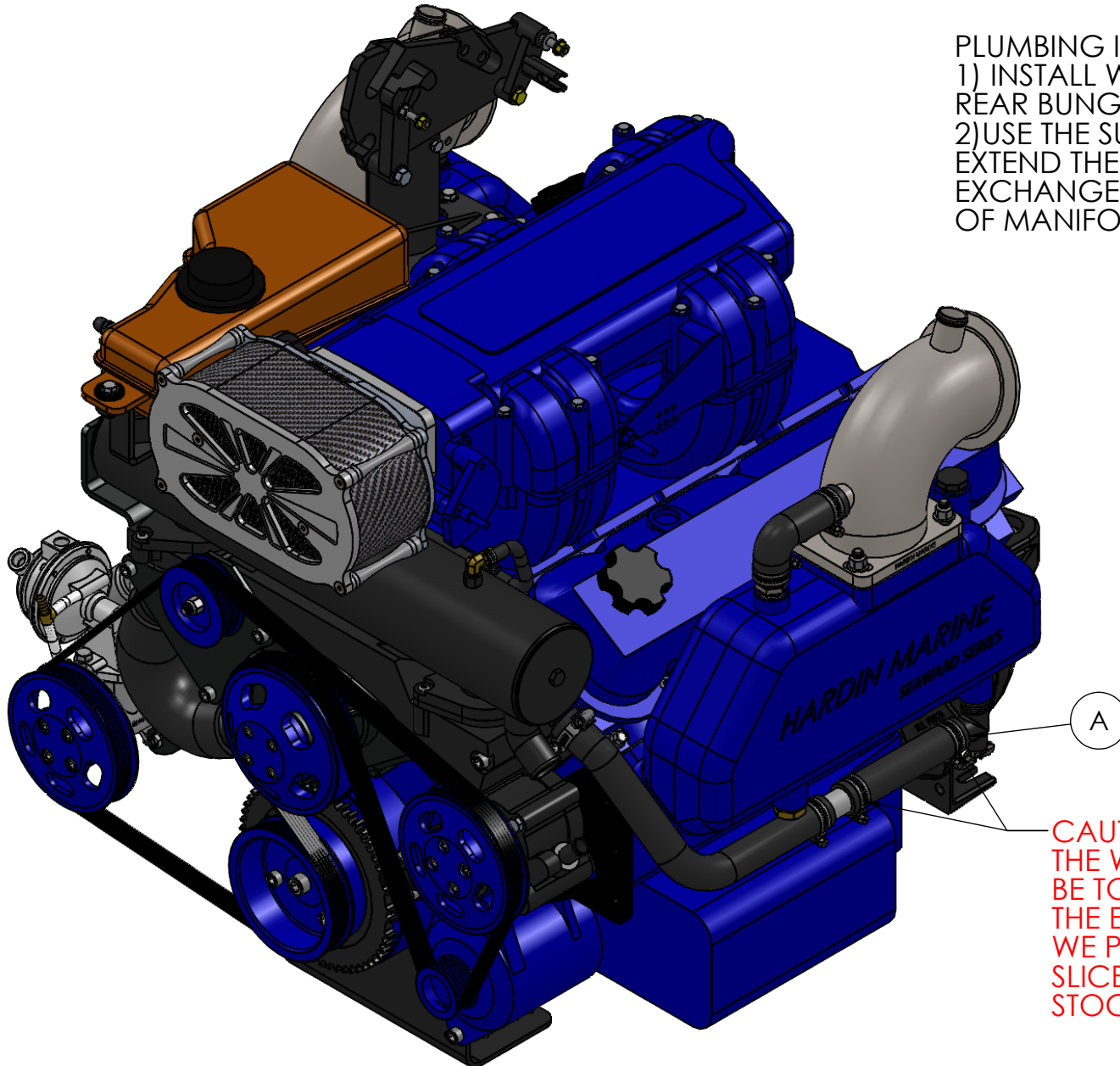
HARDIN MARINE 11 Industry Dr. Palm Coast, FL 32137
386-445-2500 / FAX 386-445-1122

PART NO.
620-38040

www.hardin-marine.com

TITLE:
SEAWARD 525 PORT SIDE INSTRUCTIONS

PLUMBING INSTRUCTIONS:
1) INSTALL WATER INLET FITTING INTO THE REAR BUNG ON THE EXHAUST MANIFOLD.
2) USE THE SUPPLIED SPLICE AND HOSE TO EXTEND THE EXISTING HOSE FROM HEAT EXCHANGER TO WATER INLET ON BOTTOM OF MANIFOLD, FIG A.



CAUTION:
THE WATER INLET HAS TO BE TO THE BACK PORT OF THE EXHAUST MANIFOLDS. WE PROVIDE HOSE AND SLICE TO EXTENDED YOUR STOCK OEM HOSE.

THIS DRAWING IS CONFIDENTIAL AND IS SUPPLIED ON EXPRESS CONDITION THAT IT SHALL NOT BE LENT, COPIED OR DISCLOSED TO ANY OTHER PERSON OR USED FOR ANY OTHER PURPOSE WITHOUT WRITTEN CONSENT OF HARDIN MARINE INC.. BREACH OF THIS CONTRACT WILL HOLD AND IT'S PRINCIPALS LIABLE FOR LOSS AND DAMAGES.

HARDIN MARINE 11 Industry Dr. Palm Coast, FL 32137
386-445-2500 / FAX 386-445-1122

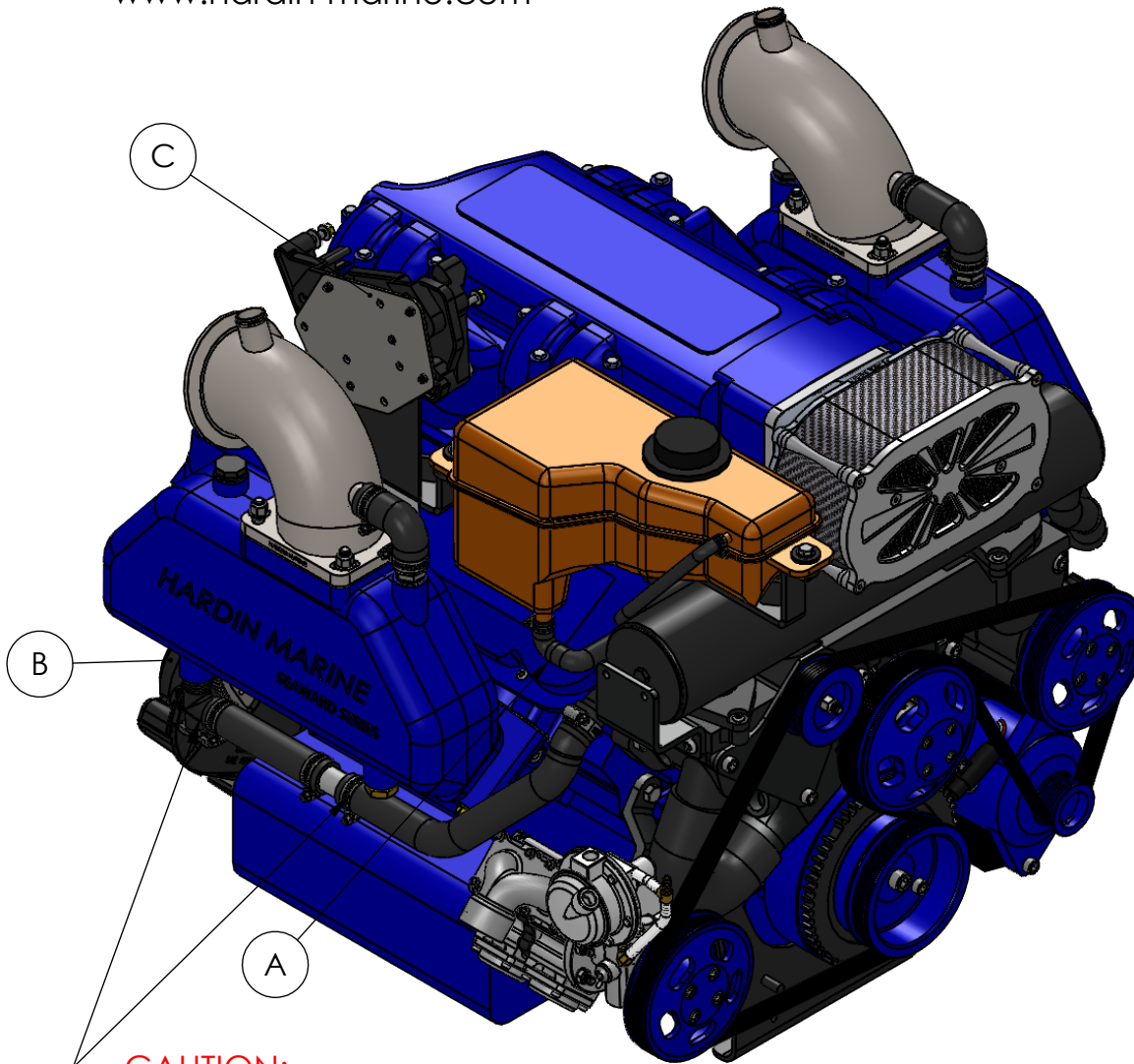
PART NO.
620-38040

TITLE:
SEAWARD 525 STRD SIDE INSTRUCTIONS

www.hardin-marine.com

INSTALLATION INSTRUCTIONS:

- 1) INSTALL 620-38057 COOLANT TANK RELOCATION BRACKETS, USING 620-38057I INSTRUCTIONS.
- 2) MODIFY THE STOCK COOLANT TANK HOSES TO FIT THE NEW LOCATION, FIG A.
- 3) INSTALL WATER INLET FITTING INTO THE REAR BUNG ON THE EXHAUST MANIFOLD.
- 4) USE THE SUPPLIED SPLICE AND HOSE TO EXTEND THE EXISTING HOSE FROM HEAT EXCHANGER TO WATER INLET ON BOTTOM OF MANIFOLD, FIG B.
- 5) INSTALL THE STOCK SHIFT BRACKET TO 620-38066 SHIFT BRACKET, FIG C. RE-ADJUST CABLE IF NEEDED.



CAUTION:
THE WATER INLET HAS TO BE TO THE BACK PORT OF THE EXHAUST MANIFOLDS. WE PROVIDE HOSE AND SLICE TO EXTENDED YOUR STOCK OEM HOSE.

HARDIN
MARINE

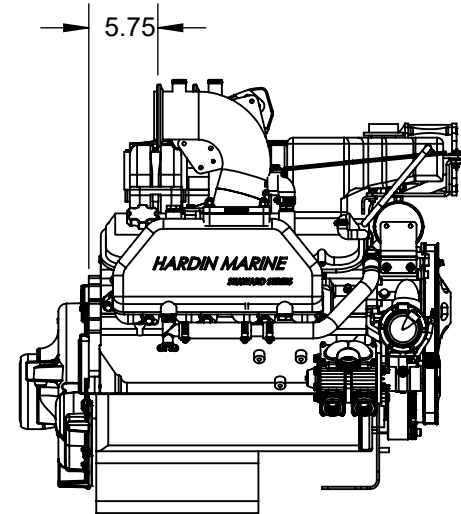
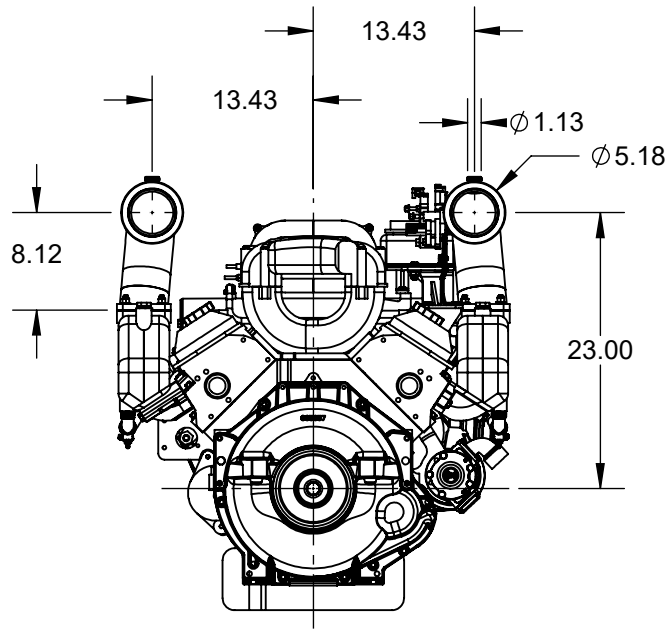
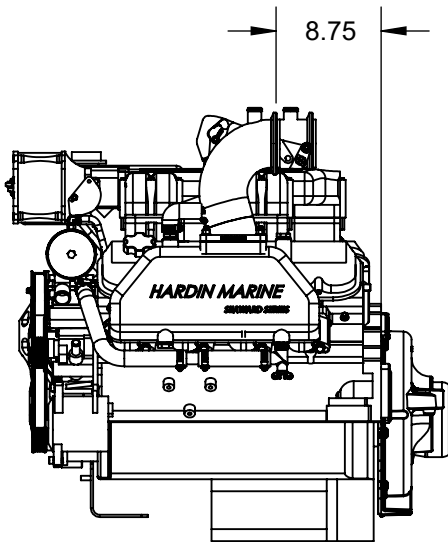
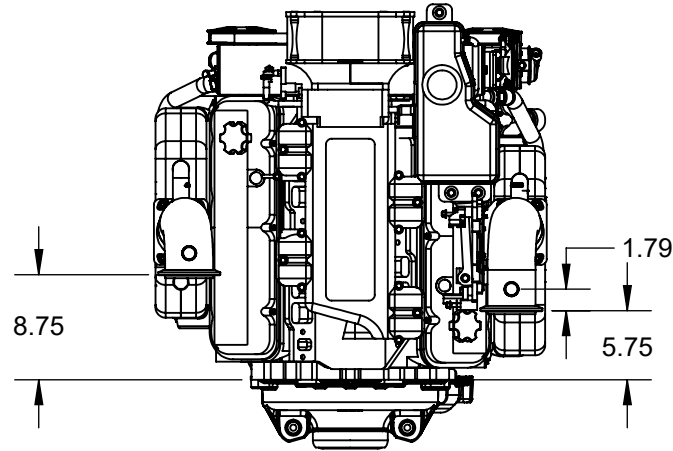
11 Industry Dr. Palm Coast, FL 32137
386-445-2500 / FAX 386-445-1122

PART NO.
620-38043

TITLE:

525 SEAWARD - 4" STRAIGHT BACK

www.hardin-marine.com



THIS DRAWING IS CONFIDENTIAL AND IS SUPPLIED ON EXPRESS CONDITION THAT IT SHALL NOT BE LENT, COPIED OR DISCLOSED TO ANY OTHER PERSON OR USED FOR ANY OTHER PURPOSE WITHOUT WRITTEN CONSENT OF HARDIN MARINE INC.. BREACH OF THIS CONTRACT WILL HOLD AND IT'S PRINCIPALS LIABLE FOR LOSS AND DAMAGES.

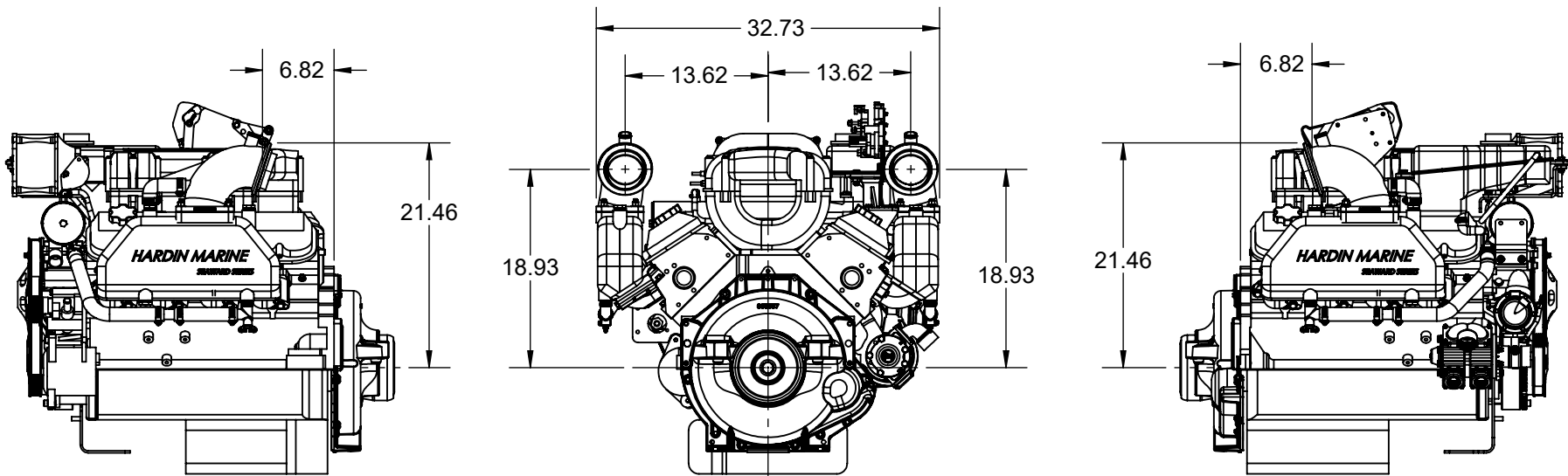
HARDIN MARINE 11 Industry Dr. Palm Coast, FL 32137
386-445-2500 / FAX 386-445-1122

PART NO.
620-38040

TITLE:

SEAWARD 525 DIMENSIONS

www.hardin-marine.com



THIS DRAWING IS CONFIDENTIAL AND IS SUPPLIED ON EXPRESS CONDITION THAT IT SHALL NOT BE LENT, COPIED OR DISCLOSED TO ANY OTHER PERSON OR USED FOR ANY OTHER PURPOSE WITHOUT WRITTEN CONSENT OF HARDIN MARINE INC.. BREACH OF THIS CONTRACT WILL HOLD AND IT'S PRINCIPALS LIABLE FOR LOSS AND DAMAGES.