



Keith Eickert

Offshore Performance Products

11 Industry Drive Palm Coast, FL 32137
386-446-0660 www.keitheickert.com

**INSTALLATION INSTRUCTION
SUPERCHARGER DUAL CARBURETOR LINKAGE**



1. Install the front throttle cable mounting bracket on the blower snout. Mount on the Port side for pull cables using the 3 spacers and bolts provided or the Starboard side for push cables using the factory snout bolts. (See Figure 9 & 10).
2. Remove the carburetor plate from the blower.
3. Place masking tape on the front port side bolt hole of each carburetor. Mark the tape approximately 1" back from the front of the carburetor plate and at half the thickness of the plate. (See Figure 1).
4. Mark for the rear hole 8-5/8" back from the front marked hole and at half the thickness of the plate. (See Figure 1). and also (See Footnotes 1 & 2).
5. Center punch the marks and drill approximately 7/8" deep with a letter "I" drill bit. A 17/64" drill bit will work if you don't have the "I" drill bit. (See Figure 2)
6. Tap the two holes to 5/16-24 thread. (See Figure 3)
7. Install the (2) 5/16" rod ends into the carburetor plate AT 90° to the plates surface and tighten the jam nuts to the plate.



Keith Eickert

Offshore Performance Products

11 Industry Drive Palm Coast, FL 32137
386-446-0660 www.keitheickert.com

8. Slide the pivot shaft through the front rod joint. At the back carburetor slide the shaft through the throttle linkage and (1) of the black lock collars, then through the back rod joint. (See Figure 4).
9. Slide the front throttle linkage (the one with 2 rod joints) onto the shaft. (See Figure 5).
10. Install the carburetor end of the throttle linkage onto the back carburetor and tighten. Remove the throttle cable heim from the front connection and install on the throttle cable. Install the throttle cable and linkage onto the front carburetor and tighten. (See Figure 6).and also (See Footnote 2)
11. Center the throttle linkage arms on the pivot shaft and tighten. Slide the second black lock collar onto the pivot shaft and push both lock collars against the rear heim joint and tighten to lock the pivot shafts in place. (See Figure 7).
12. Adjust the throttle linkage rods so the carburetors are both in the idle position and then check to see if both carburetors go to full throttle. Re-adjust if necessary. (See Figure 8).
13. Install the throttle cable onto the front blower mounting bracket. Attach the cable clip bracket to the blower bracket in any of the holes that align. (See Figure 9 & 10). .and also (See Footnote 2)
14. Tighten all fasteners and check operation of the linkage from idle to full throttle **BEFORE STARTING ENGINES.**

NOTE: This linkage is designed as a front mount but it can be mounted on the rear of the blower with modifications.

Footnotes:

- (1) Some carb plates may require different rod end placements.
- (2) Dominator Carburetors – Carb linkage bushings may not be needed. Use top hole on carb linkage. Rod end centers are 8-3/4" (see footnote 1). Cable clamp can be bent 5° back for alignment.



Keith Eickert

Offshore Performance Products

11 Industry Drive Palm Coast, FL 32137
386-446-0660 www.keitheickert.com

Figure 1



Figure 2



Figure 3



Figure 4



Figure 5



Figure 6





Keith Eickert

Offshore Performance Products

11 Industry Drive Palm Coast, FL 32137
386-446-0660 www.keitheickert.com

Figure



Figure 8



Figure 9



Figure 10

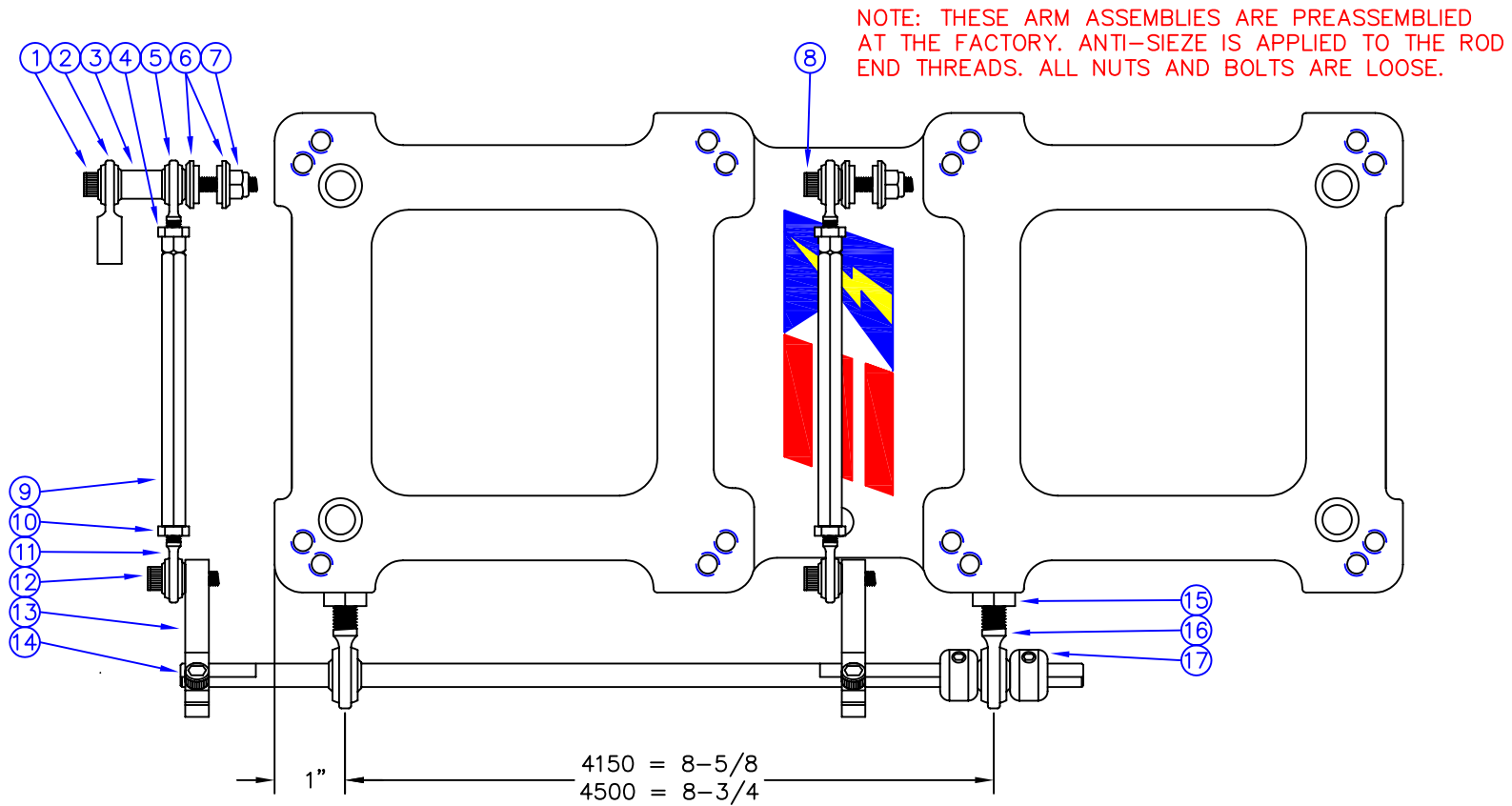


KEITH EICKERT

PART NUMBER: 755-5180

DESCRIPTION:
SIDE WAY MOUNTED CARBURETOR LINKAGE KIT

KEITH EICKERT TECH LINE:
386-446-0660
www.keitheickert.com



NOTE: DRILL AND TAP YOUR CARBURETOR SPACER AS SHOWN BELOW. USE LETTER DRILL I TO DRILL 7/8 DEEP. MAKE SURE YOU DO NOT DRILL INTO THE CARBURETOR MOUNTING HOLES AND IT IS BE DRILLED ON THE CENTERLINE OF BASE PLATE. TAP HOLE TO 5/16-24. THE ABOVE DRILL DIMENSION OUR BASED OFF A TBS CARBURETOR BASE.



ITEM	QTY.	PART NO.	DESCRIPTION
1	1	90010F200SHS	BOLT - SHCS - SS - 10-32x2"
2	1	151-09380	ROD END, CABLE - 10-32
3	1	755-5186	SPACER, ROD END TO ARM - SIDE WAY LINKAGE KIT
4	2	90010FP-HNSSL	NUT - PLAIN - SS - HALF - 10-32 L.H.
5	2	625-2208	ROD END, 10-32 L.H.
6	2	740-64920	BUSHING, CARBURETOR
7	2	90010FN-FNSS	NUT - NYLON - SS - FULL - 10-32
8	1	90010F100SHS	BOLT - SHCS - SS - 10-32x1"
9	2	755-5188	LINKAGE, SIDE WAY LINKAGE KIT
10	2	90010FP-HNSS	NUT - PLAIN - SS - HALF - 10-32
11	2	625-2207	ROD END, 10-32 R.H.
12	2	90010F075SHS	BOLT - SHCS - SS - 10-32x3/4

ITEM	QTY.	PART NO.	DESCRIPTION
13	2	755-5184	ARM, SIDE WAY LINKAGE KIT
14	1	755-5183	ROD, SIDE WAY LINKAGE KIT
15	2	90031FP-HNSS	NUT - PLAIN - SS - HALF - 5/16-24
16	2	625-2202	ROD END, 5/16-24
17	2	755-5185	COLLAR, RETAINING - SIDE WAY LINKAGE KIT
	1	620-336174	33C CABLE CLIP
	1	755-5182	BRACKET, SIDE WAY LINKAGE KIT (NOT SHOWN)
	3	755-5187	SPACER, SIDE WAY LINKAGE BRACKET TO SC (NOT SHOWN)
	2	90010F050SHS	BOLT - SHCS - SS - 10-32x1/2 (NOT SHOWN)
	3	90031AN-STSS	WASHER - FLAT - SS - 5/16 AN (NOT SHOWN)
	3	90031C350SHS	BOLT - SHCS - SS - 5/16-18x3-1/2 (NOT SHOWN)