

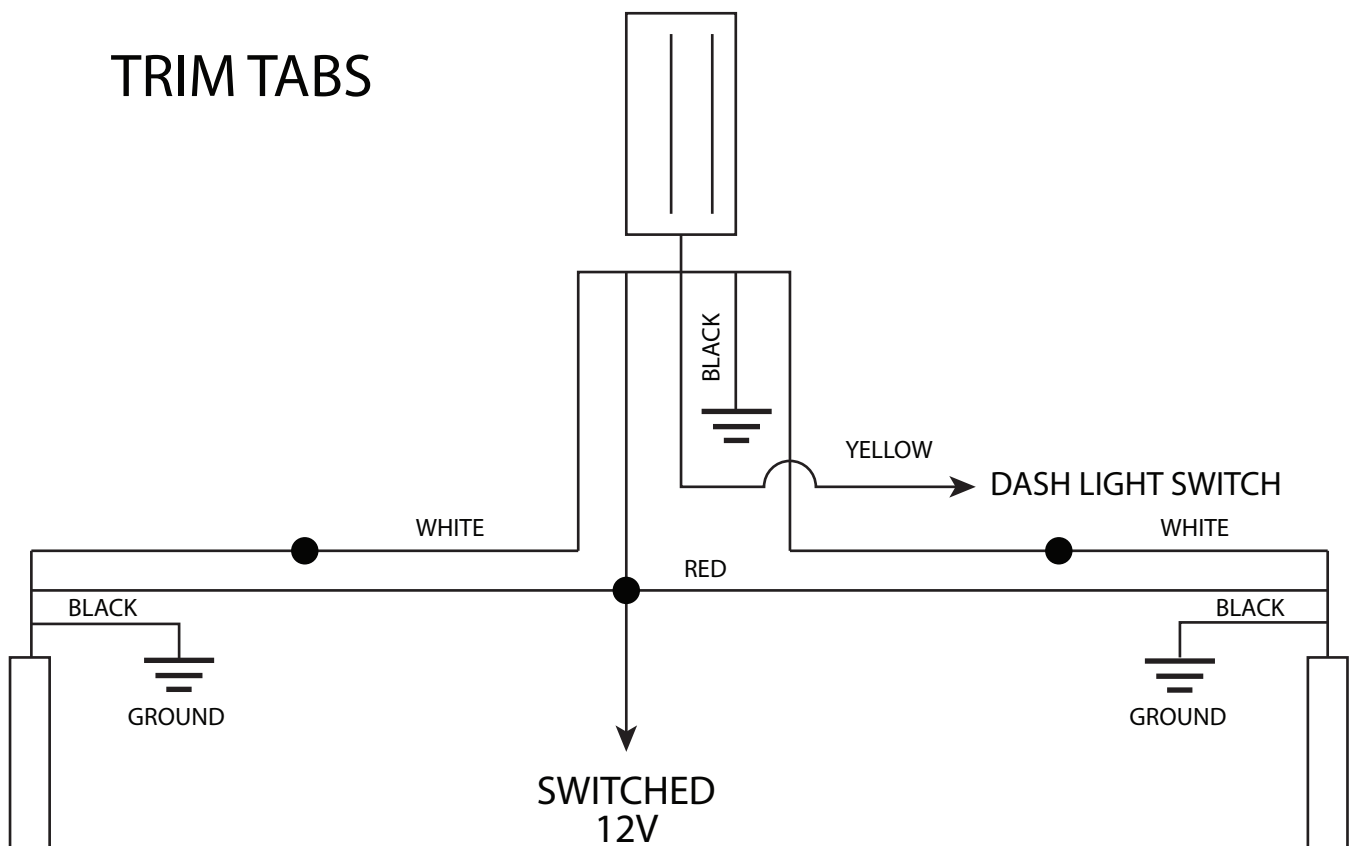
LED SENSOR INFO BY



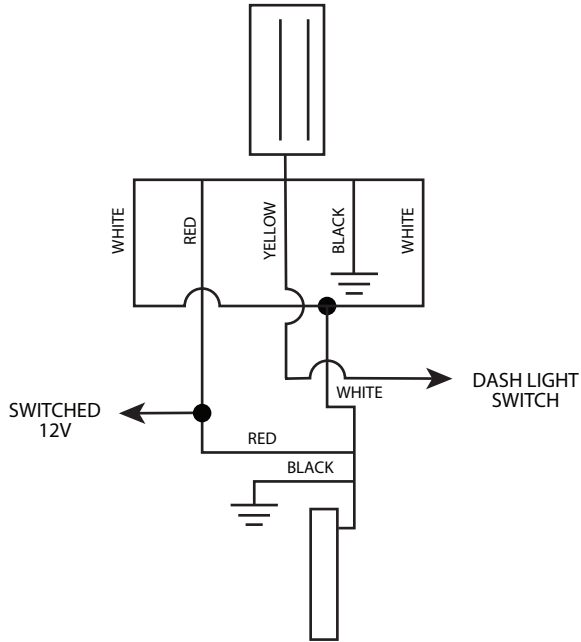
part numbers 137-8402, 8403 & 8404

The Dash Panel when activated with 12 volts, will cycle through all of the LED lights for 2 cycles. After the 2 cycles are complete, the LED light will be illuminated at the location of the trim of the tabs or the drives.

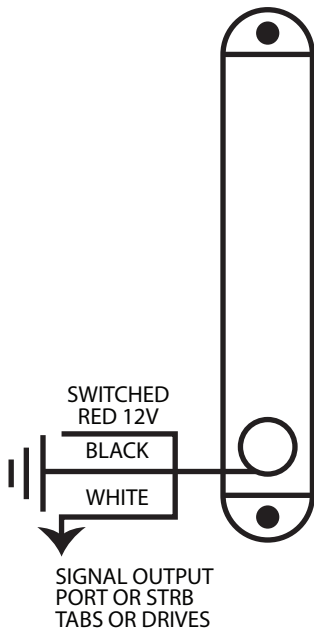
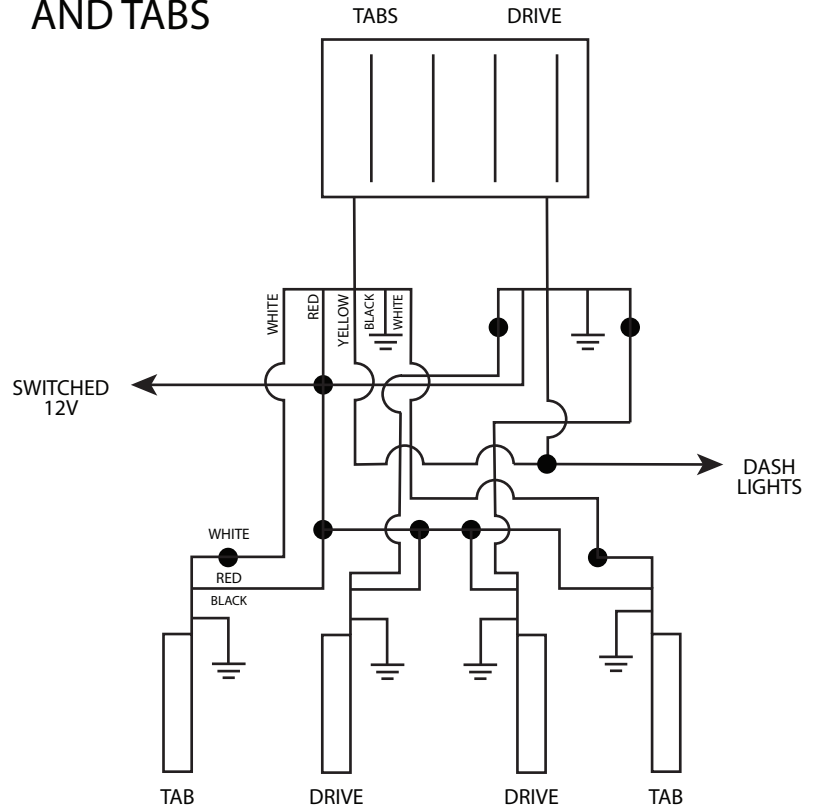
If the light flashes on either side of the dash panel and is not a solid color, this means that it does not have a signal from the sending unit. If the lights are solid, it has the signal, and will move up or down when the trim or the tabs location is changed.



SINGLE BRAVO INSTALLATION

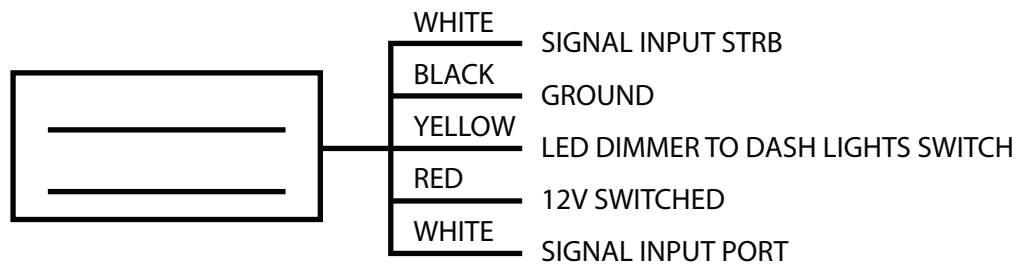


DUAL DRIVES AND TABS

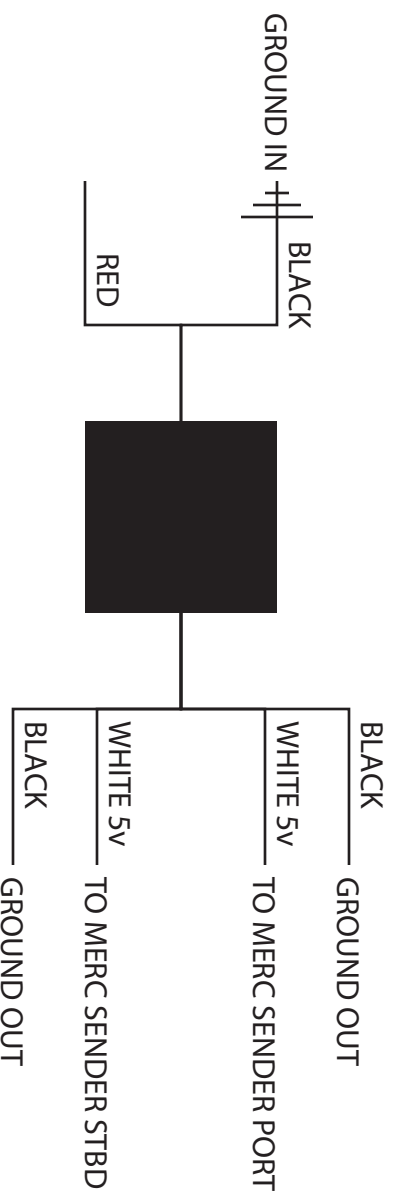


- *Red Wires connect to switched 12 Volt 5 amp fuses
- *Black Wires connect to Ground
- *White Wires are signal out and signal in, and connect to each other
- *Yellow Wires connect to dash light switches. The LED light on panel will dim when connected to 12 Volts.

*NOTE: 18 GA Wire for harness



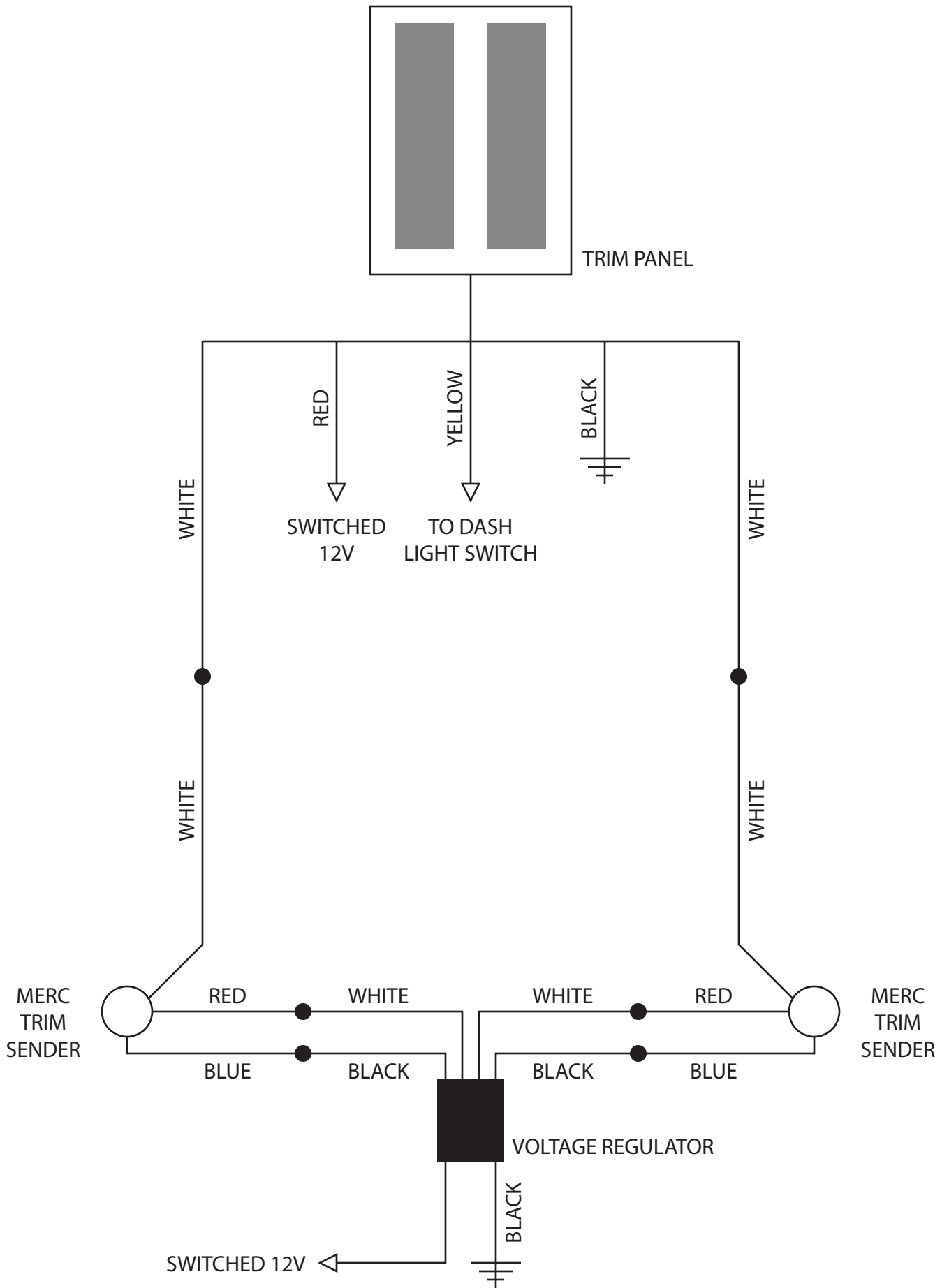
MERC TRIM TAB SENDER
 PURPLE - 5v IN - WHITE WIRE
 GREEN - SIGNAL OUT - TO LED PANEL WHITE WIRE
 BLACK - GROUND, BLACK WIRE



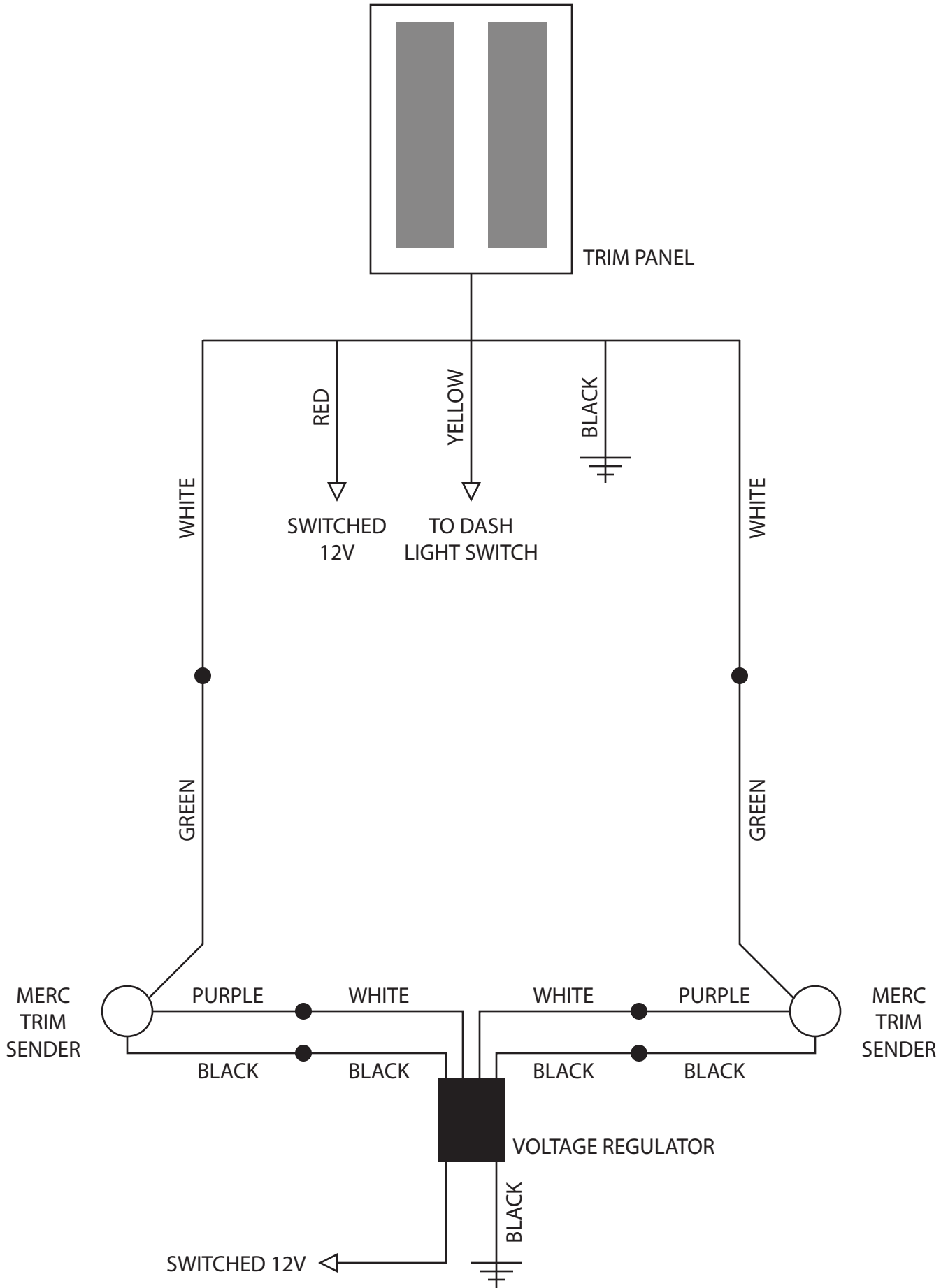
MERC DRIVE SENDER
 RED - 5v IN - WHITE WIRE
 WHITE - SIGNAL OUT - TO LED PANEL WHITE WIRE
 BLUE - GROUND IN, BLACK WIRE

This is voltage regulator designed to take a single 12 volt input and turn it into two 5 volt outputs to operate 5 volt sensors. Such as the Mercury Smartcraft sensors on both the K-plane trim tabs and Bravo outdrives. The pair of red and black wires are for the input of 12 volts and ground with the red wire being for 12 volts and the black for ground input. The two sets of black and white wires are for 5 volts out to the sensor and for ground out to the sensor. It does not matter which set of black and white wires goes to port or starboard as long as they are connected to the sensor. If you are operating just one sensor then you can use either set of black/wires for the single sensor function.

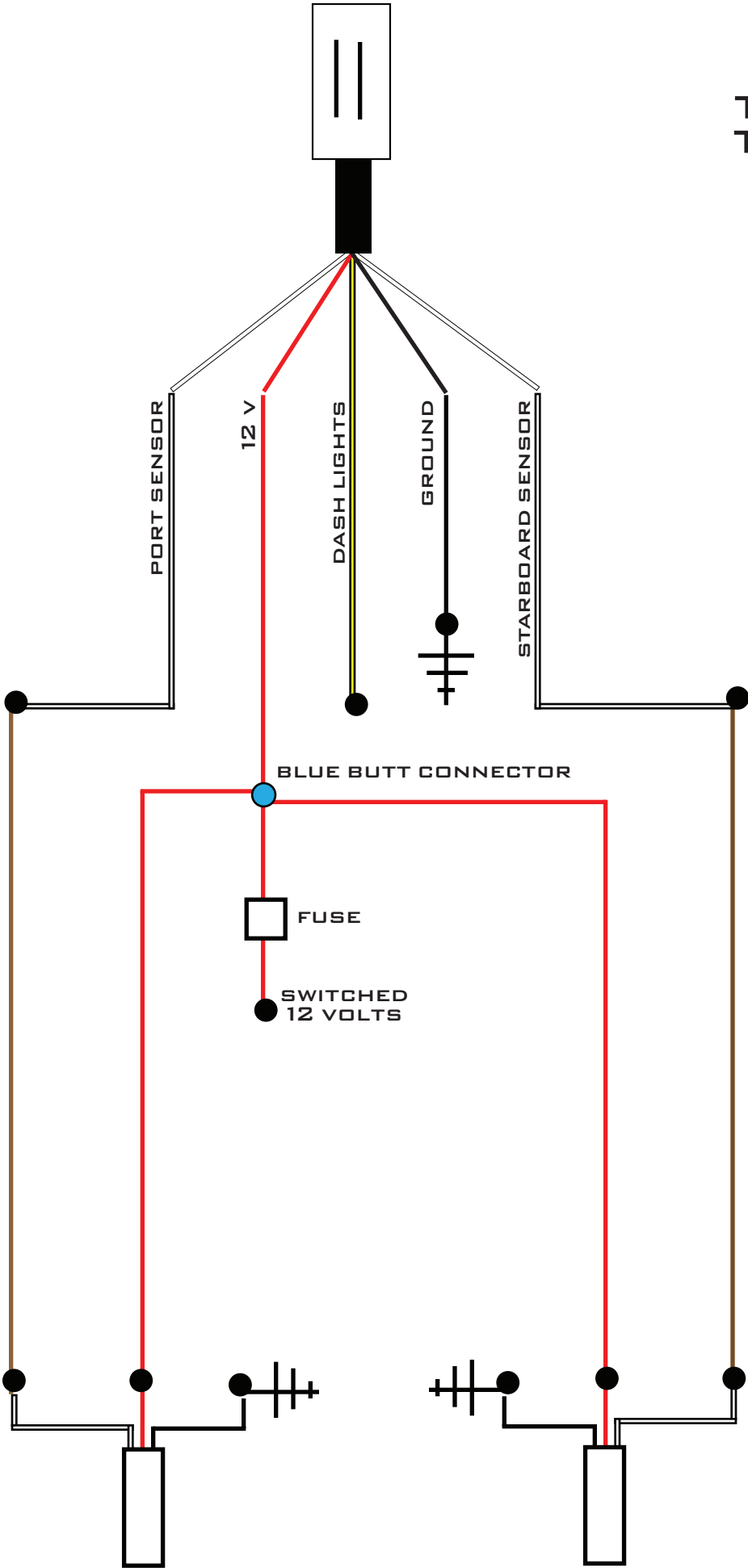
BRAVO SMARTCRAFT SENSORS



K-PLANE TRIM TABS SMARTCRAFT

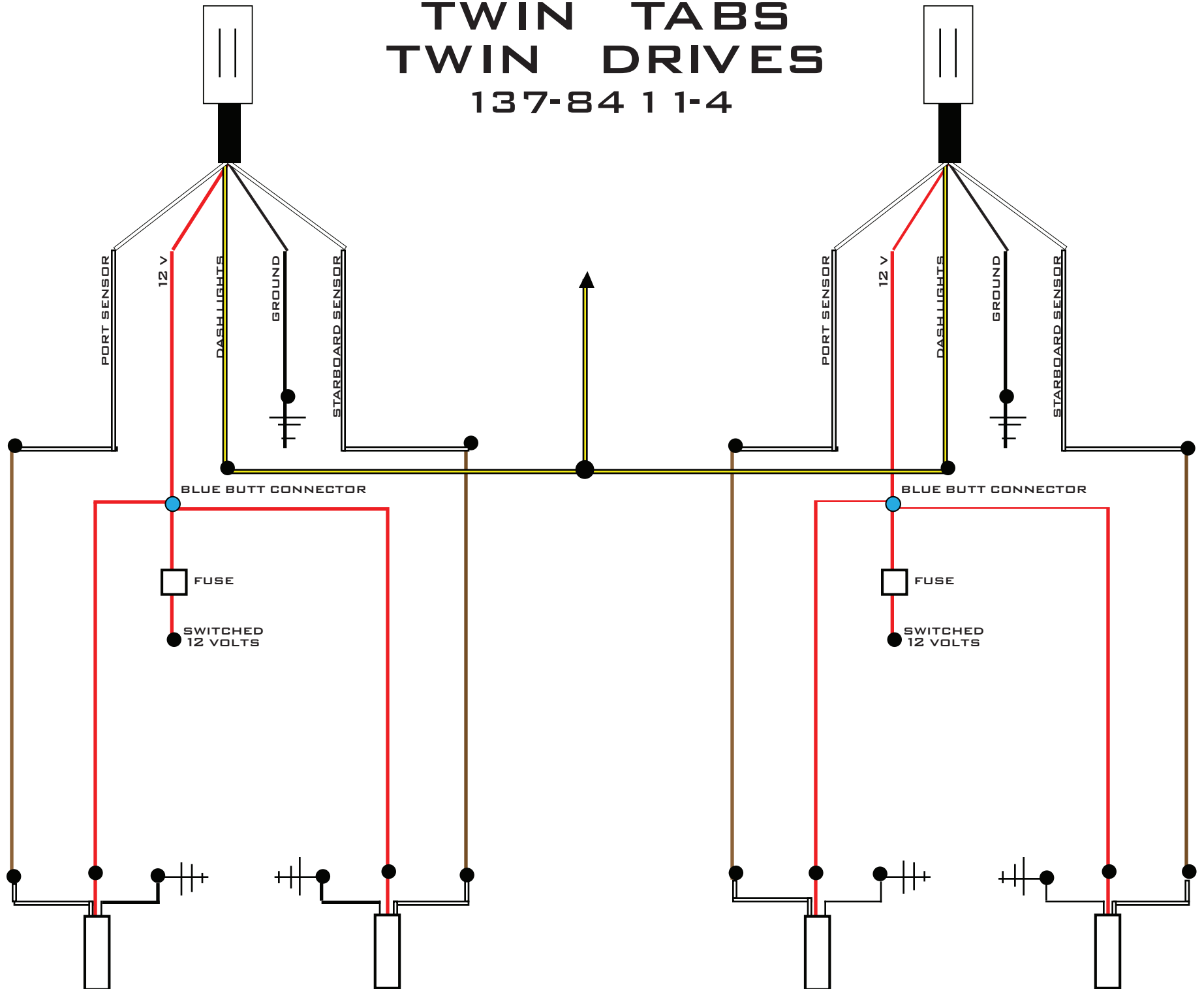


**TRIM TABS OR
TWIN BRAVOS
137-8411-2**



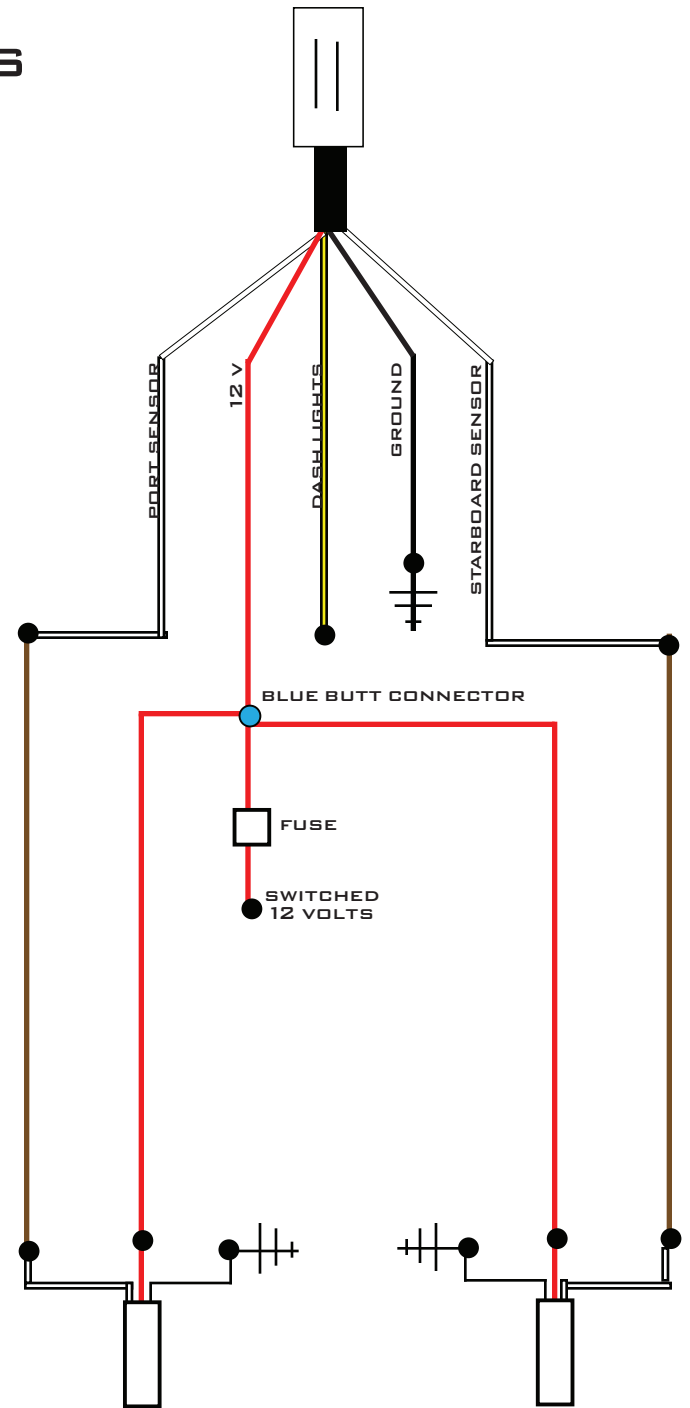
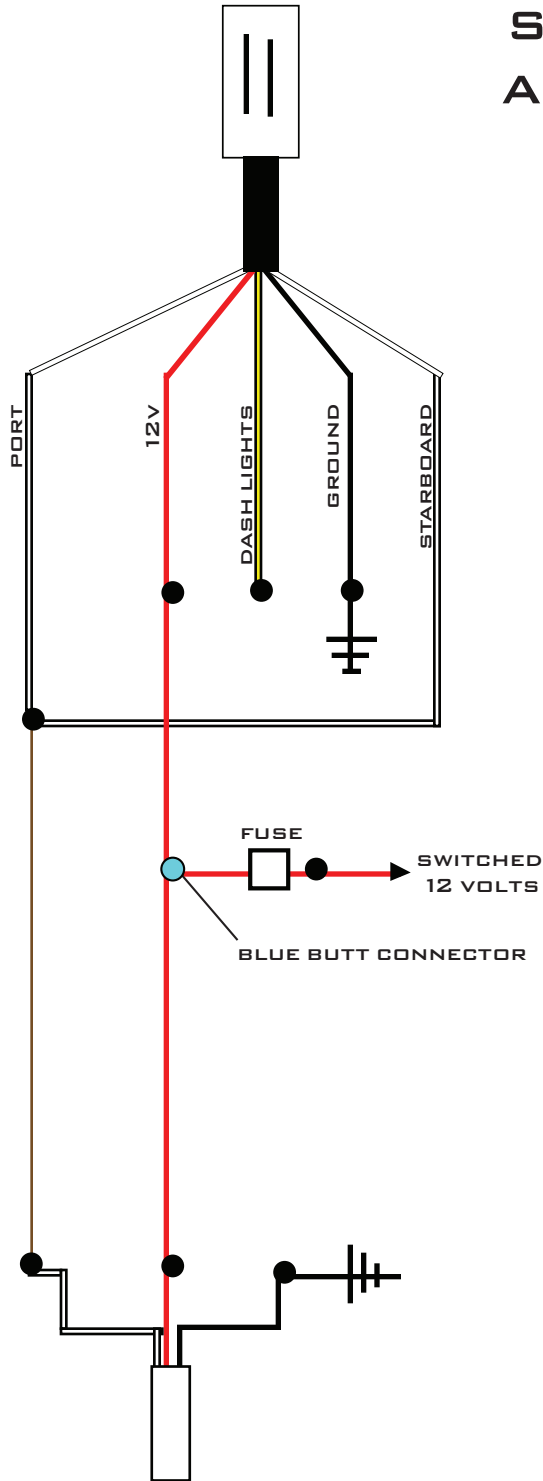
TWIN TABS TWIN DRIVES

137-84 1 1-4



SINGLE BRAVO AND TRIM TABS

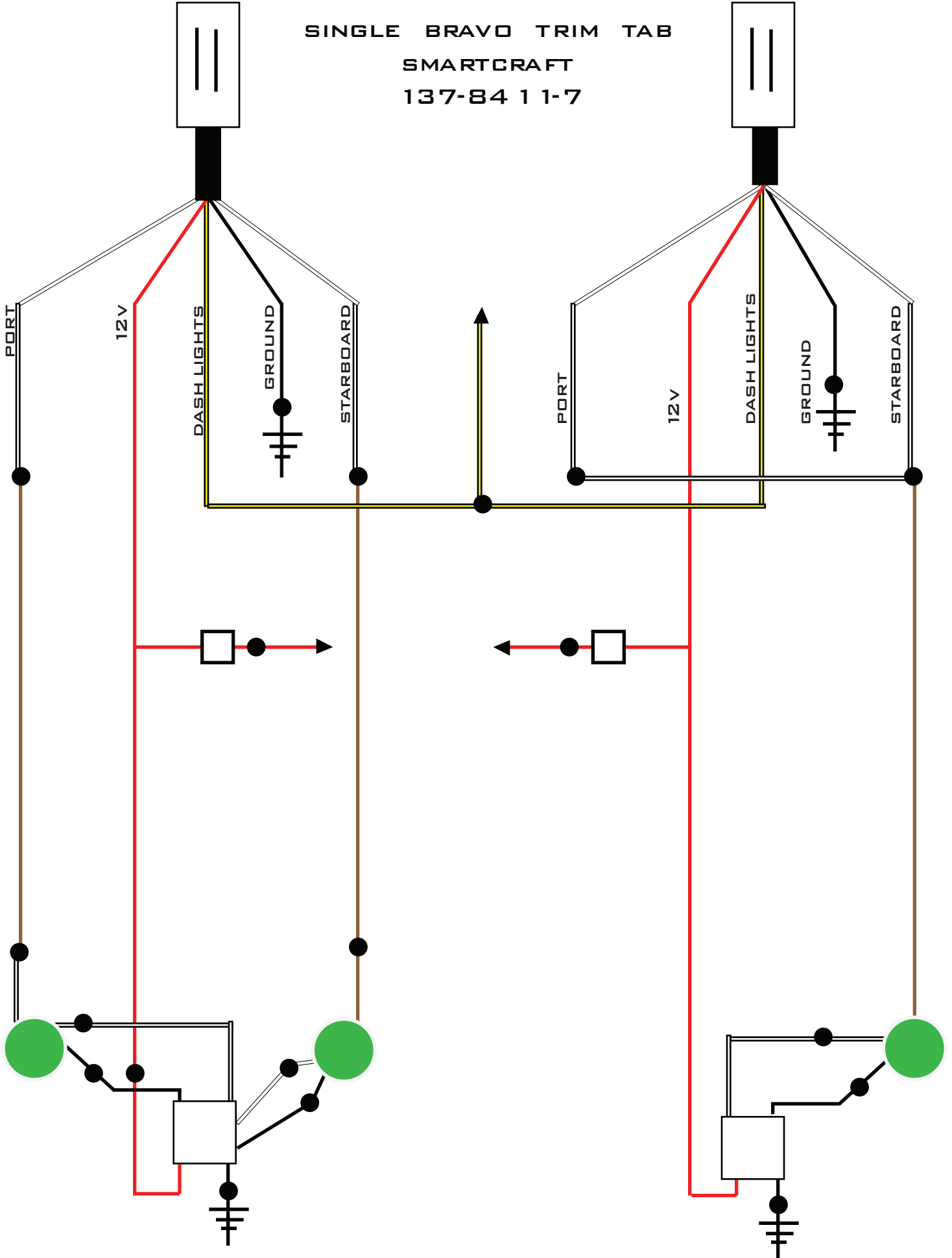
137-84 1 1-3



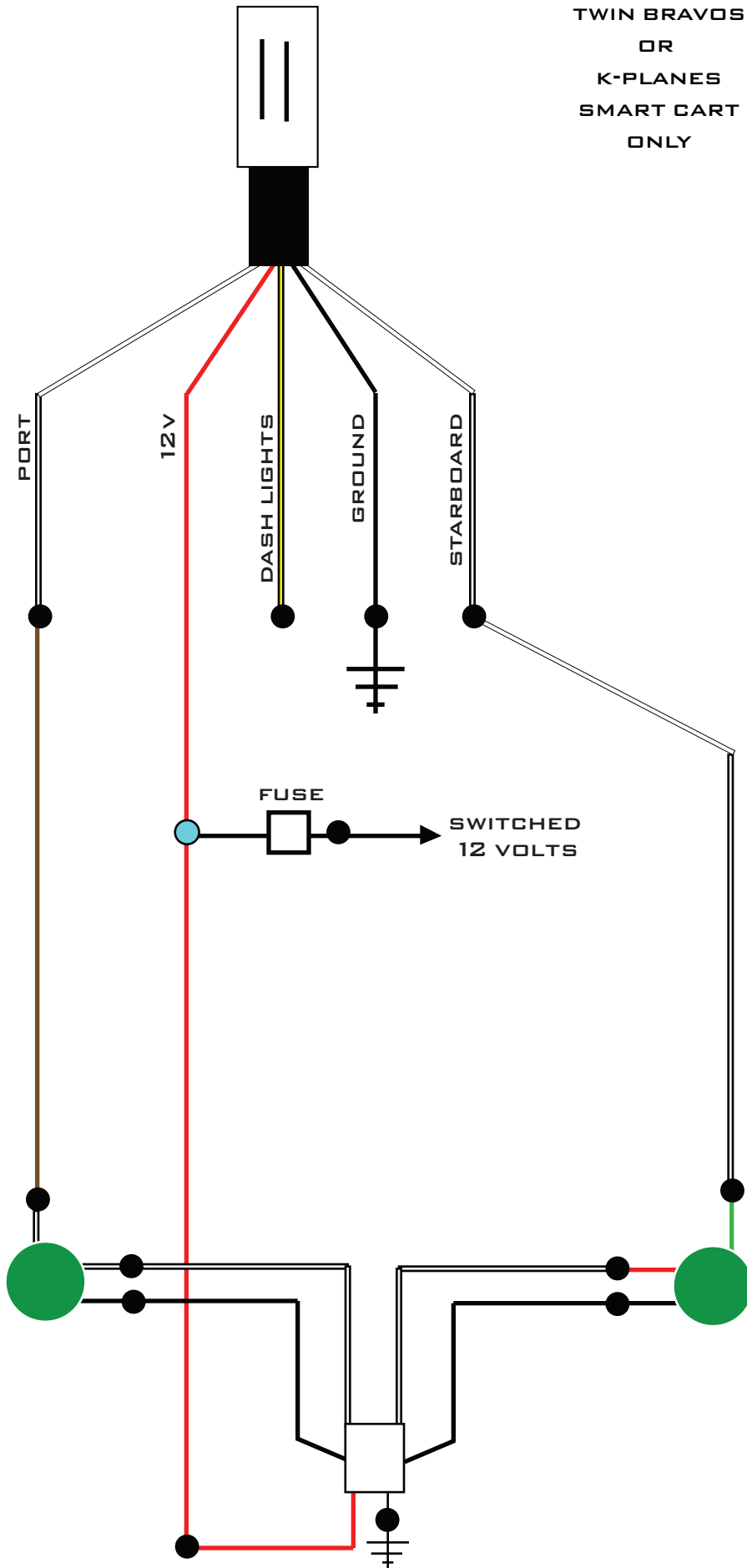
TABS

DRIVES

SINGLE BRAVO TRIM TAB
SMARTCRAFT
137-84 1 1-7

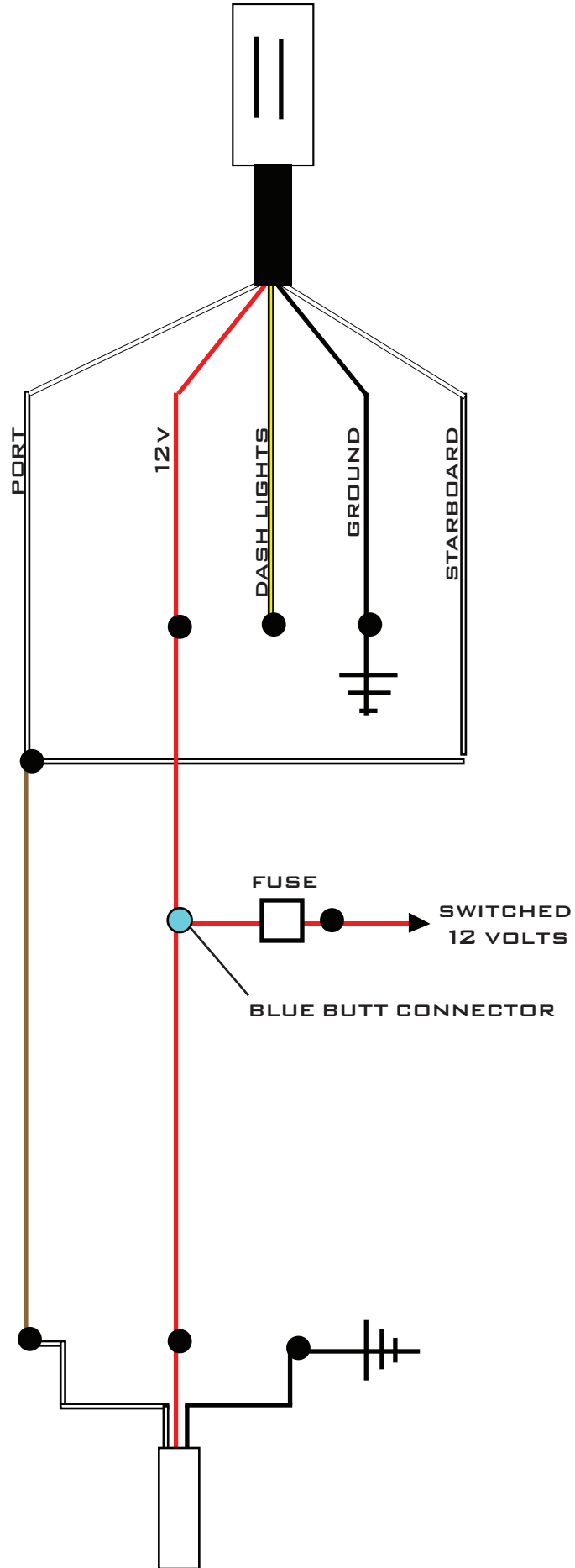


TWIN BRAVOS
OR
K-PLANES
SMART CART
ONLY



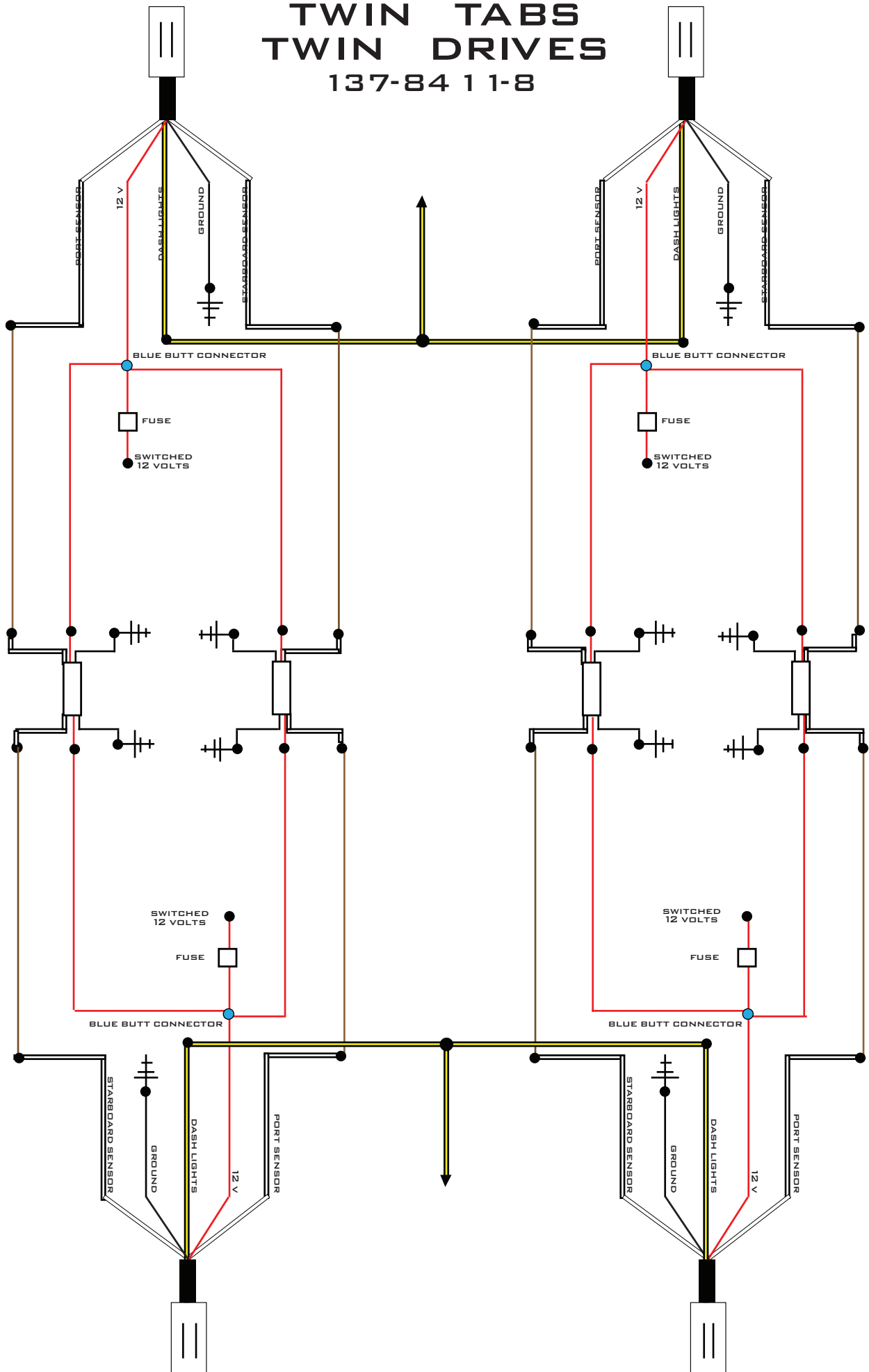
137-8411-6

SINGLE BRAVO 137-8411-1



TWIN TABS TWIN DRIVES

137-84 1 1-8

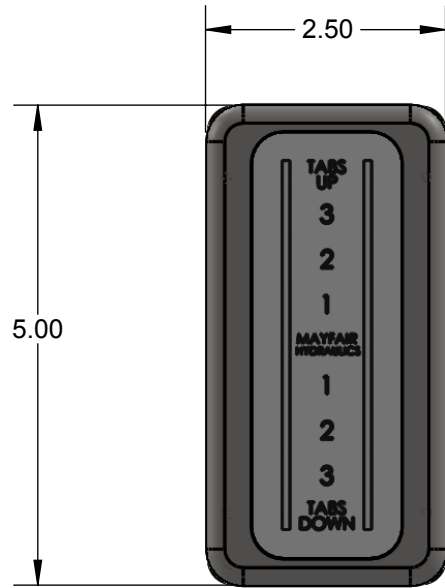


MAYFAIR HYDRAULICS

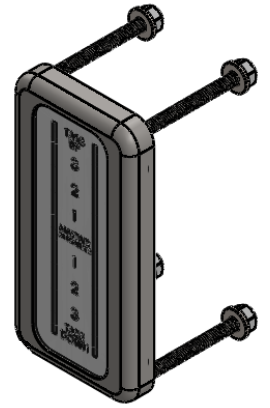
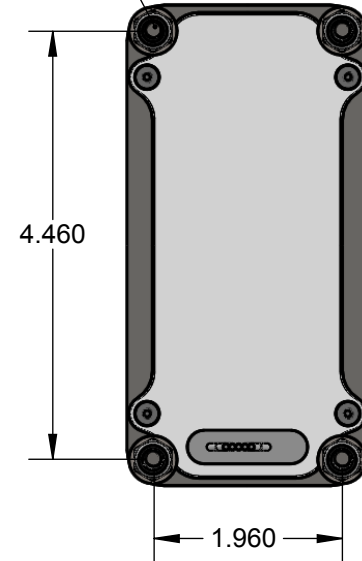
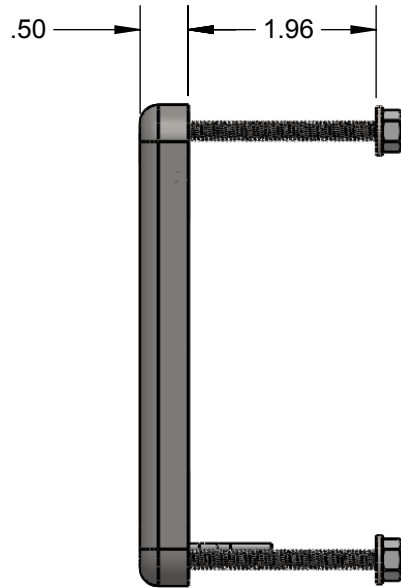
PART NO.
137-8402

TITLE:
2 LED TRIM/DRIVE PANEL

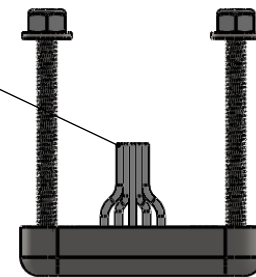
www.mayfairhydraulics.com



4x10-24 MOUNTING STUDS



WIRES THAT CONNECT TO EACH TRIM/DRIVE SENSOR.



MAYFAIR HYDRAULICS

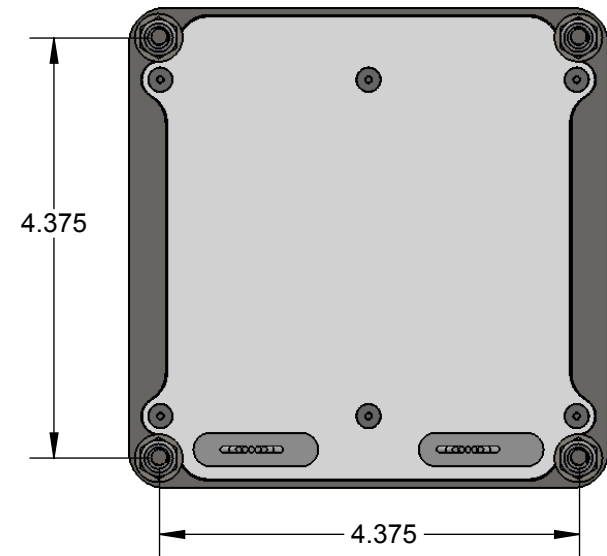
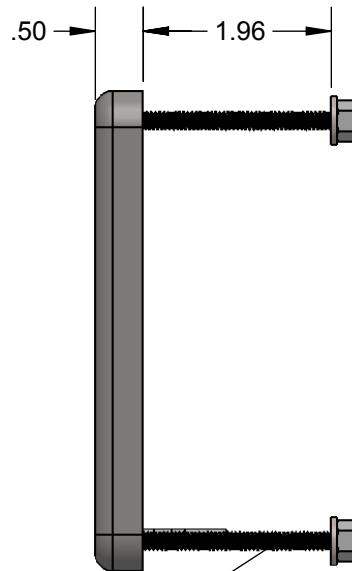
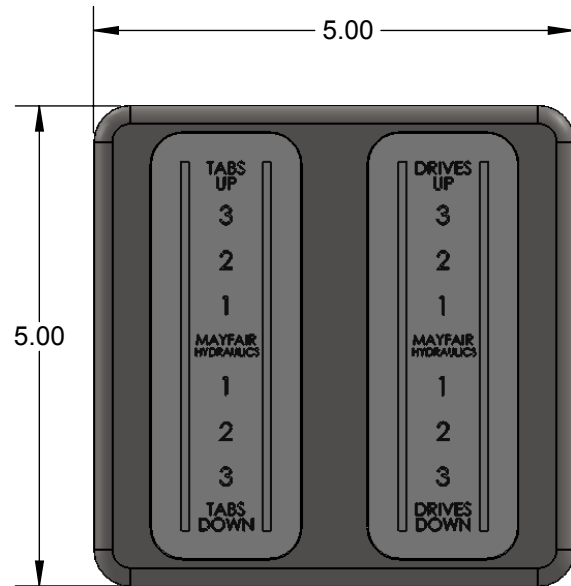
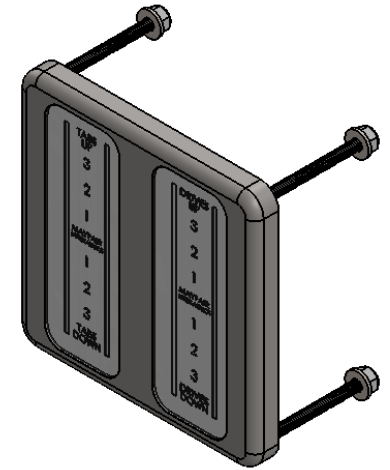
PART NO.

137-8404

TITLE:

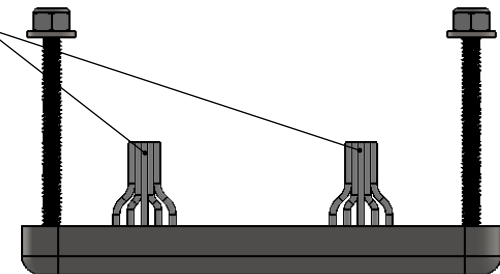
4 LED TRIM/DRIVE PANEL

www.mayfairhydraulics.com



4x10-24 MOUNTING STUDS

WIRES THAT CONNECT TO EACH TRIM/DRIVE SENSOR.



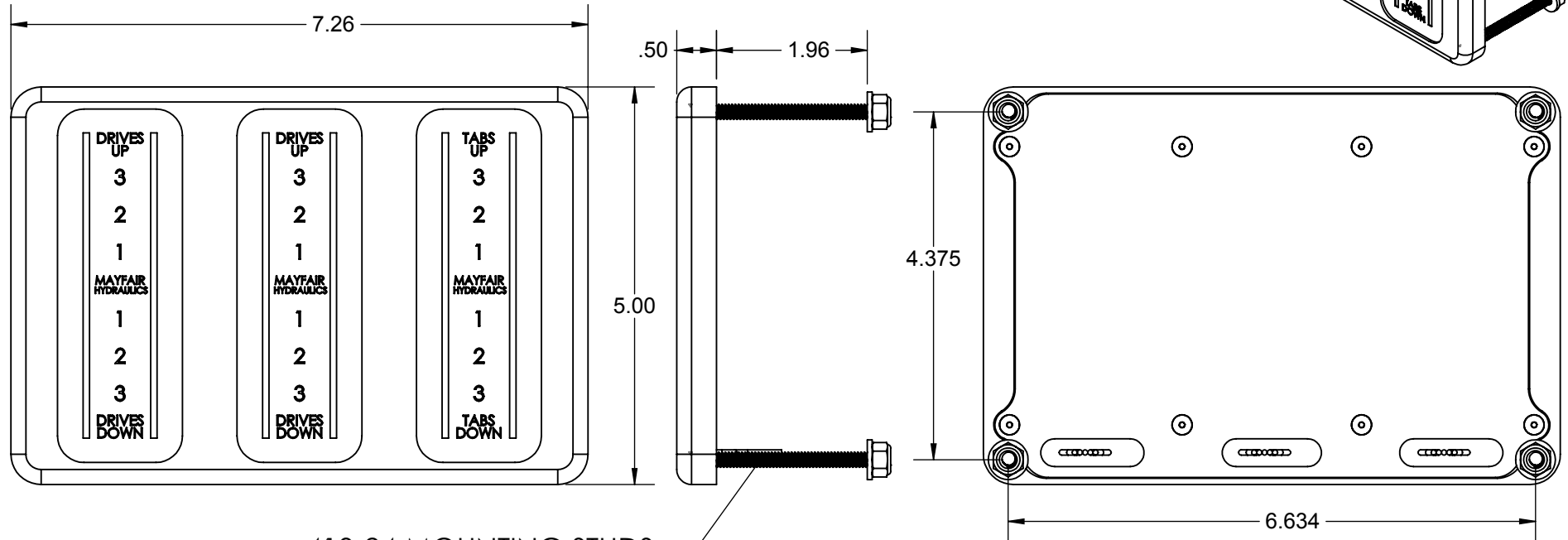
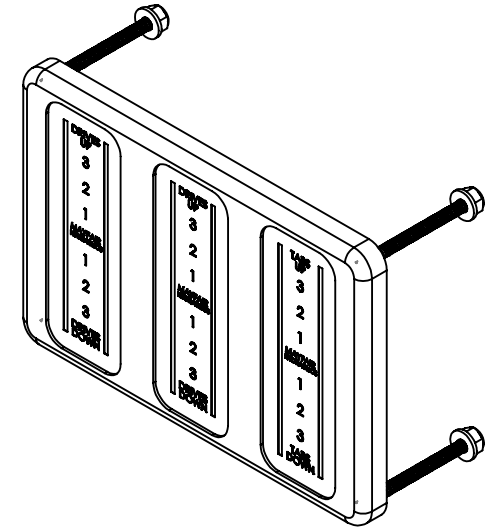
THIS DRAWING IS CONFIDENTIAL AND IS SUPPLIED ON EXPRESS CONDITION THAT IT SHALL NOT BE LENT, COPIED OR DISCLOSED TO ANY OTHER PERSON OR USED FOR ANY OTHER PURPOSE WITHOUT WRITTEN CONSENT OF HARDIN MARINE INC.. BREACH OF THIS CONTRACT WILL HOLD AND IT'S PRINCIPALS LIABLE FOR LOSS AND DAMAGES.

MAYFAIR HYDRAULICS

PART NO.
137-8404

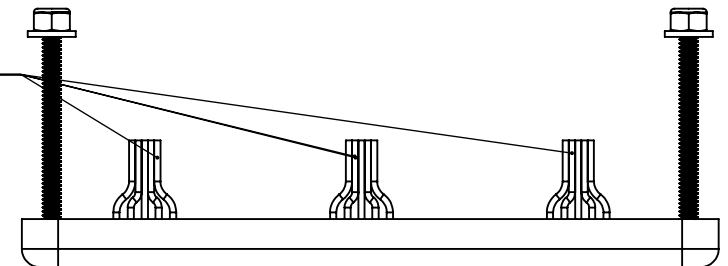
TITLE:
6 LED TRIM/DRIVE PANEL

www.mayfairhydraulics.com



410-24 MOUNTING STUDS

WIRES THAT CONNECT TO EACH TRIM/DRIVE SENSOR



THIS DRAWING IS CONFIDENTIAL AND IS SUPPLIED ON EXPRESS CONDITION THAT IT SHALL NOT BE LENT, COPIED OR DISCLOSED TO ANY OTHER PERSON OR USED FOR ANY OTHER PURPOSE WITHOUT WRITTEN CONSENT OF HARDIN MARINE INC.. BREACH OF THIS CONTRACT WILL HOLD AND IT'S PRINCIPALS LIABLE FOR LOSS AND DAMAGES.

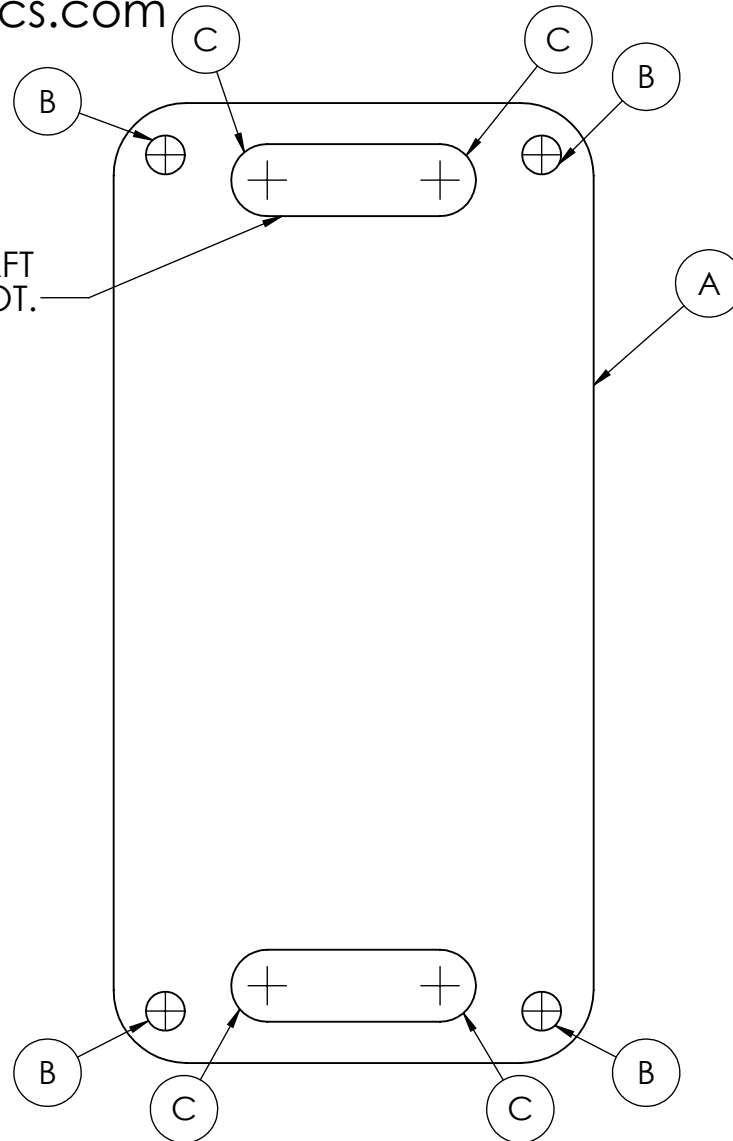
MAYFAIR HYDRAULICS

PART NO.
137-8402DT

TITLE:
2 SLOT LED TRIM/DRIVE PANEL TEMPLATE

www.mayfairhydraulics.com

MERCURY SMARTCRAFT
USES THE TOP SIDE SLOT.



INSTALLATION INSTRUCTIONS:
1) FIG. A IS THE OUTSIDE SIZE
OF THE LED DASH PANEL.

2) CUT PANEL TEMPLATE OUT
AND TAPE TO THE DASH.

3) USING THE 4 CENTER
MARKS FOR FIG. B. DRILL
4x \varnothing 13/64 HOLES.

4) DETERMINE WHICH SIDE
SLOT DO YOU NEED TO USE.
USING THE 2 CENTER MARKS
FOR FIG. C. DRILL 2x \varnothing 3/8
HOLES.

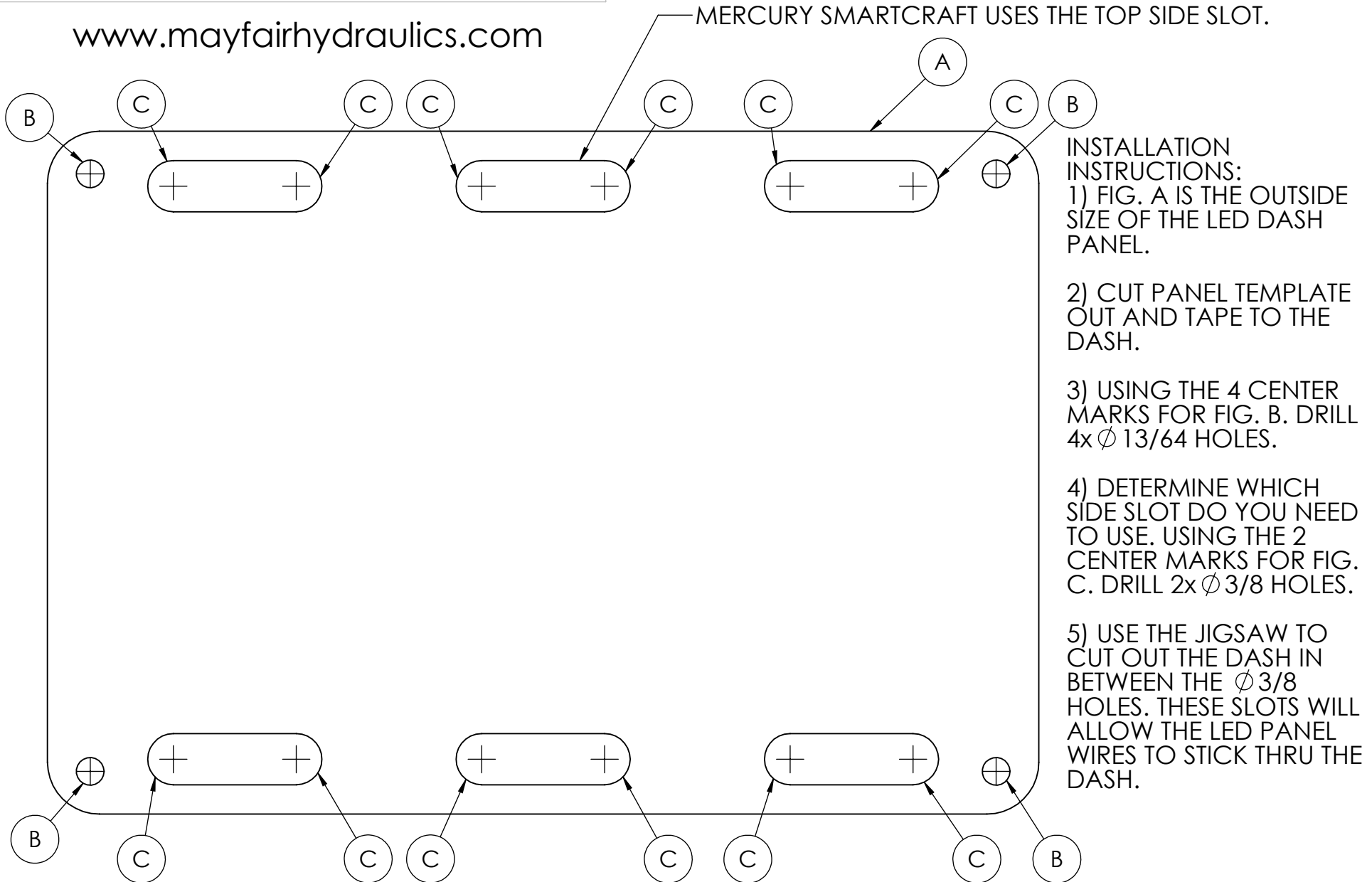
5) USE THE JIGSAW TO CUT
OUT THE DASH IN BETWEEN
THE \varnothing 3/8 HOLES. THESE SLOTS
WILL ALLOW THE LED PANEL
WIRES TO STICK THRU THE
DASH.

MAYFAIR HYDRAULICS

PART NO.
137-8403DT

TITLE:
6 SLOT LED TRIM/DRIVE PANEL TEMPLATE

www.mayfairhydraulics.com



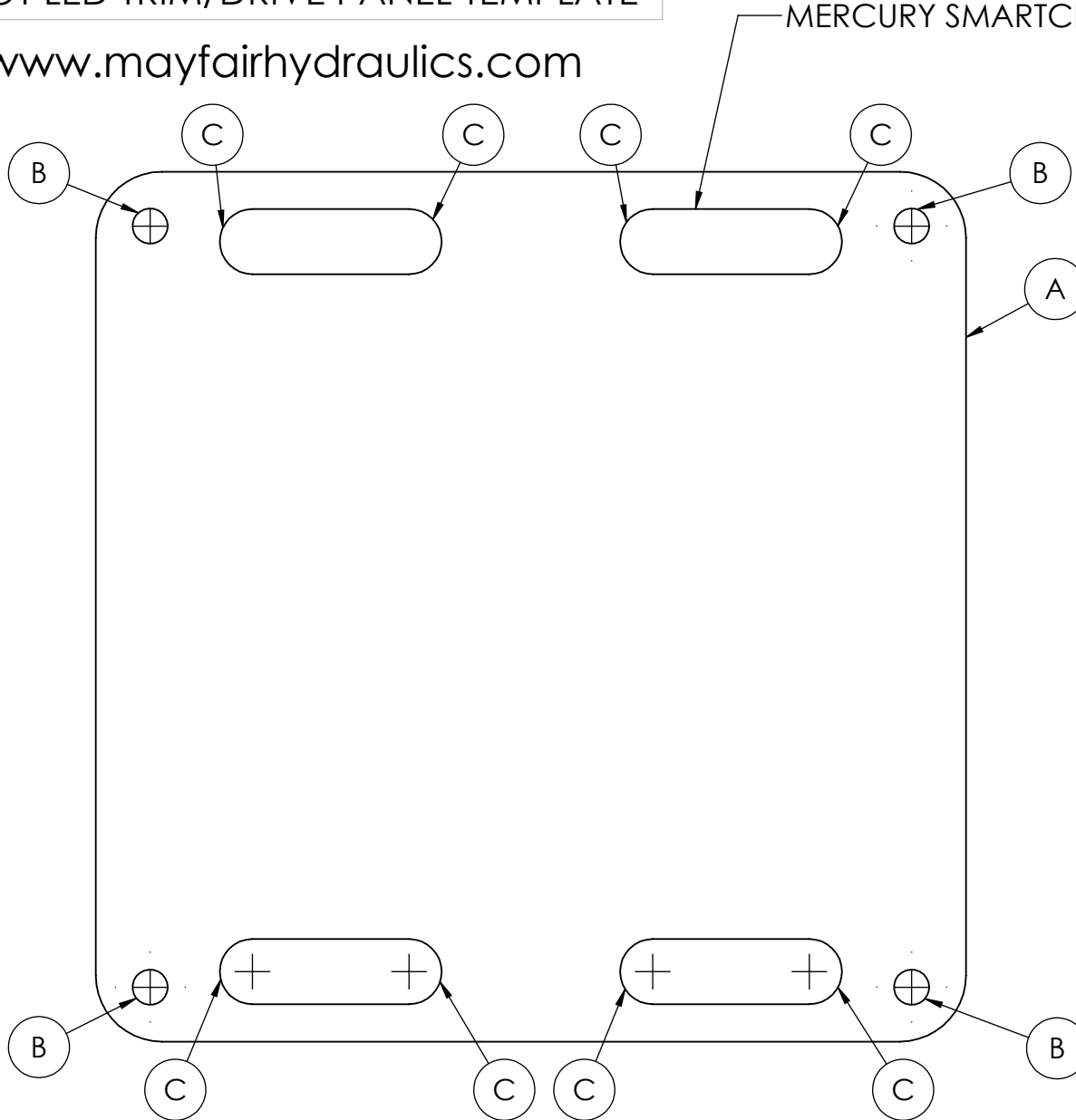
THIS DRAWING IS CONFIDENTIAL AND IS SUPPLIED ON EXPRESS CONDITION THAT IT SHALL NOT BE LENT, COPIED OR DISCLOSED TO ANY OTHER PERSON OR USED FOR ANY OTHER PURPOSE WITHOUT WRITTEN CONSENT OF HARDIN MARINE INC.. BREACH OF THIS CONTRACT WILL HOLD AND IT'S PRINCIPALS LIABLE FOR LOSS AND DAMAGES.

MAYFAIR HYDRAULICS

PART NO.
137-8404DT

TITLE:
4 SLOT LED TRIM/DRIVE PANEL TEMPLATE

www.mayfairhydraulics.com



INSTALLATION INSTRUCTIONS:
1) FIG. A IS THE OUTSIDE SIZE OF THE LED DASH PANEL.

2) CUT PANEL TEMPLATE OUT AND TAPE TO THE DASH.

3) USING THE 4 CENTER MARKS FOR FIG. B. DRILL 4x ϕ 13/64 HOLES.

4) DETERMINE WHICH SIDE SLOT DO YOU NEED TO USE. USING THE 2 CENTER MARKS FOR FIG. C. DRILL 2x ϕ 3/8 HOLES.

5) USE THE JIGSAW TO CUT OUT THE DASH IN BETWEEN THE ϕ 3/8 HOLES. THESE SLOTS WILL ALLOW THE LED PANEL WIRES TO STICK THRU THE DASH.