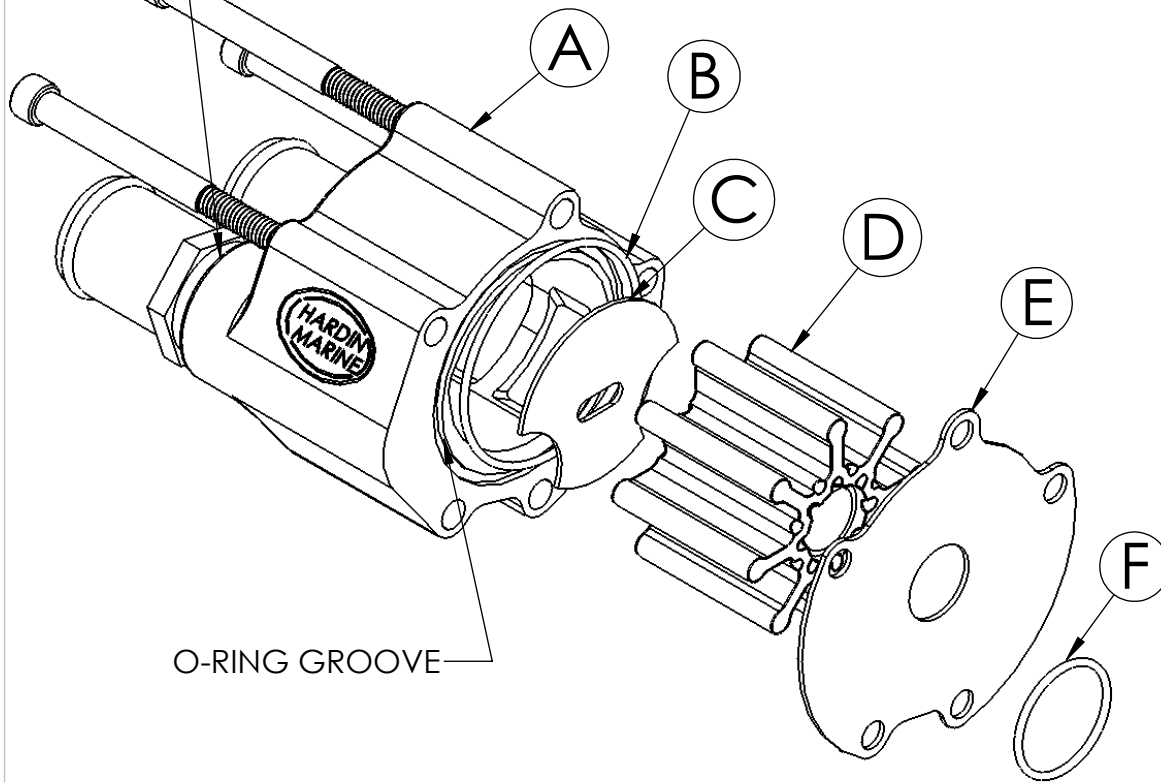


USE ONLY LIQUID PIPE THREAD SEALER TO INSTALL FITTINGS INTO BODY. DO NOT USE TEFLON TAPE. FITTINGS ARE SOLD SEPARATELY.



INSTALLATION INSTRUCTIONS:

- 1) INSTALL WEAR PLATE (C) INTO BODY (A). WEAR PLATE CAN ONLY FIT IN ONE DIRECTION. MAKE SURE THE SLOT FITS OVER THE ADJOINING KNOB IN BODY.
- 2) APPLY GREASE INSIDE BORE AREA. INSERT IMPELLER (D) INTO BORE. MAKE SURE IMPELLER BLADES ARE BENT IN THE DIRECTION SEA PUMP WILL BE SPINNING. THE BACK SIDE OF BODY SHOWS STANDARD LEFT HAND ROTATION.
- 3) INSTALL LARGER O-RING (B) IN THE O-RING GROOVE IN THE BODY. APPLY A LIGHT COAT OF GREASE TO O-RING. THIS WILL HOLD O-RING IN PLACE.
- 4) INSTALL SMALL O-RING (F) INTO THE GROOVE IN YOUR STOCK MERCURY BEARING HOUSING. APPLY LIGHT COAT OF GREASE TO O-RING. THIS WILL HOLD O-RING IN PLACE.
- 5) SLIDE WEAR PLATE (E) OVER YOUR STOCK MERCURY SHAFT AND AGAINST THE BEARING HOUSING.
- 6) INSERT MERCURY SHAFT AND BEARING HOUSING ONTO SEA PUMP BODY ASSEMBLY.
- 7) APPLY ANTI-SEIZE TO THE THREADS OF THE SUPPLIED BOLTS. MAKE SURE TO USE THE LONG BOLTS IN THE SAME SPOT AS THE ORIGINAL BOLTS. THE LONG BOLTS ARE NEEDED TO ATTACH YOU SEA PUMP BRACKET.

THIS DRAWING IS CONFIDENTIAL AND IS SUPPLIED ON EXPRESS CONDITION THAT IT SHALL NOT BE LENT, COPIED OR DISCLOSED TO ANY OTHER PERSON OR USED FOR ANY OTHER PURPOSE WITHOUT WRITTEN CONSENT OF HARDIN MARINE INC.. BREACH OF THIS CONTRACT WILL HOLD AND IT'S PRINCIPALS LIABLE FOR LOSS AND DAMAGES.

OPTIONAL STAINLESS STEEL FITTINGS:
 540-222151 1" NPT x 1-1/4 HOSE BARB STRAIGHT.
 540-222161 1" NPT x 1-1/4 HOSE BARB 45°.
 540-222173 1" NPT x 1-1/4 HOSE BARB 90°.

HARDIN MARINE 11 Industry Dr. Palm Coast, FL 32137
 386-445-2500 / FAX 386-445-1122

TITLE: MERCURY SEA PUMP REBUILD KIT

SIZE	DWG. NO.	PART NO.	REV
A	625-4179I	625-4179	
SCALE: 1:1		DRAWN BY: J.P.STULL	DATE: 02/11/09

HARDIN
MARINE

11 Industry Dr. Palm Coast, FL 32137
386-445-2500 / FAX 386-445-1122

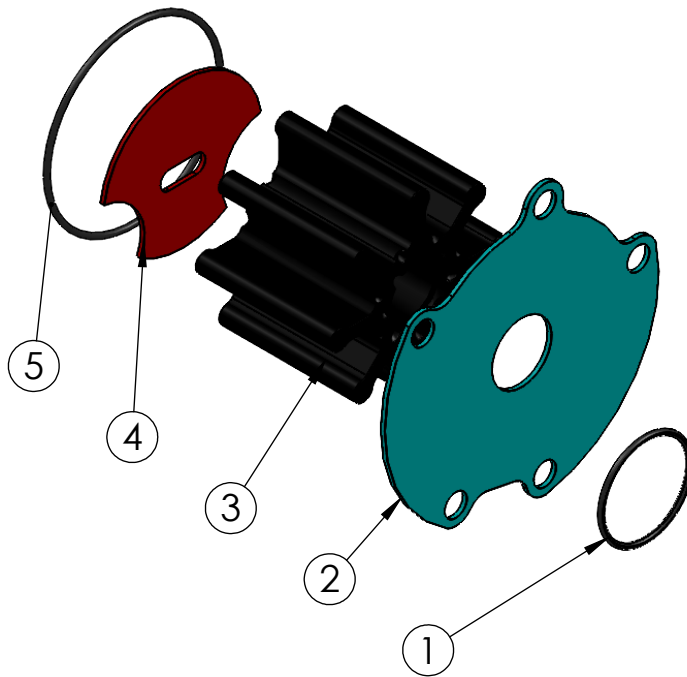
PART NO.

625-4179

TITLE: MERCURY IMPELLER REBUILD SERVICE KIT
FOR HARDIN PUMPS-GEN 1

www.hardin-marine.com

ITEM NO.	PART NUMBER	DESCRIPTION	QTY.
1	625-1026	O-RING	1
2	625-4018	WEAR PLATE, SEA PUMP	1
3	625-4011	IMPELLER, SEA PUMP	1
4	625-4081	WEAR PLATE, SEA PUMP	1
5	625-1037	O-RING	1



THIS DRAWING IS CONFIDENTIAL AND IS SUPPLIED ON EXPRESS CONDITION THAT IT SHALL NOT BE LENT, COPIED OR DISCLOSED TO ANY OTHER PERSON OR USED FOR ANY OTHER PURPOSE WITHOUT WRITTEN CONSENT OF HARDIN MARINE INC.. BREACH OF THIS CONTRACT WILL HOLD AND IT'S PRINCIPALS LIABLE FOR LOSS AND DAMAGES.