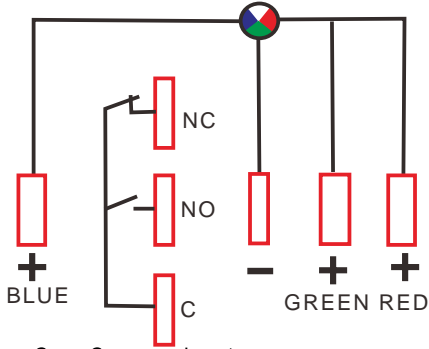
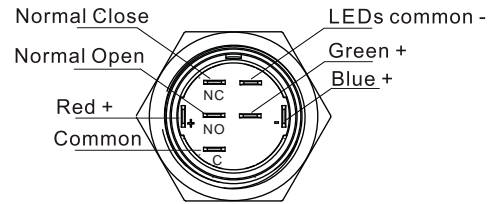
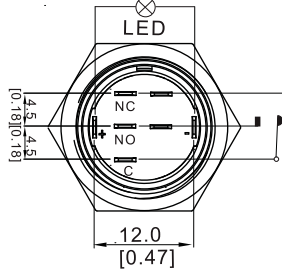
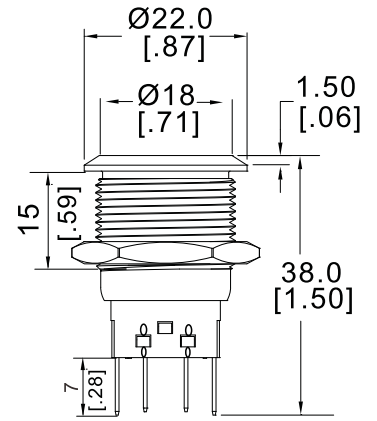
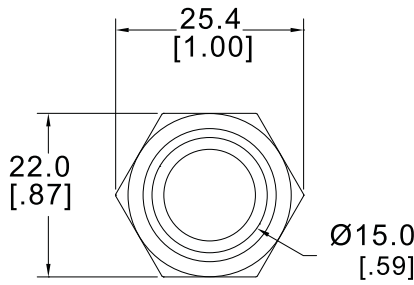


Metal Button Switch (Pin Type)

Mounting Hole Size	Ø .76"
Switch Rating	5A/12VDC
Switch combination	1NO1NC/2NO2NC
Operation Types	Resettable / Self-Locking
Head Sape	Flat
Lamp Type	Full Illuminated

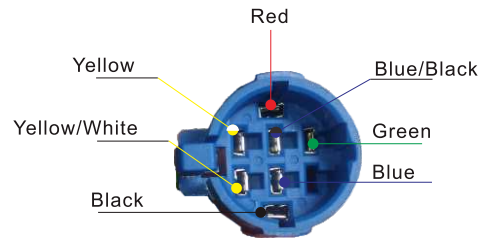


C: Common Input
 NO: Normal Open, Push On C+NO
 NC: Normal Close, Push Off C+NC
 Red: red led Positive input .
 Blue: blue led Positive input.
 Green: green led Positive input.
 -: LEDs common Negative input

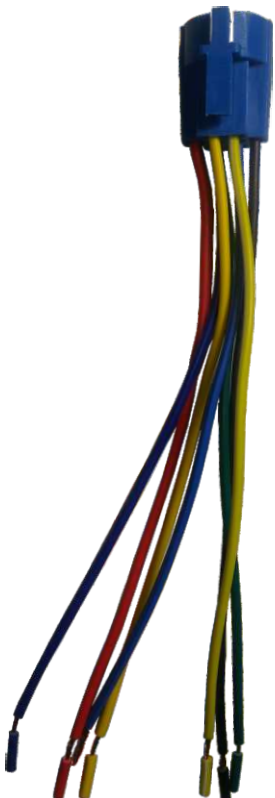
Part # 9150-2003 Momentary



Part # 9150-1003 Latching



Part # 9150-6306



Tail Configuration	Pin Terminal
Switch Specifications	AC250/3A, DC12V/5A
Contact Resistance	< 50mΩ
Insulation Resistance	> 1000MΩ
Dielectric Intensity	2000VAC
Ambient Temperature	-20°C ~ +55°C
Mechanical Life	500,000 cycles
Electrical Life	50,000 cycles
Panel Thickness	1 ~ 10mm
Nut Torque	5~14Nm
Operation Pressure	About 3~5N
Operation Stroke	About 2.5mm
Protection Level	IP67, IK 10

Material

Contact	Silver Alloy
Button	PC/Stainless Steel
Enclosure	304/Nickel Plated Brass/Stainless Steel
Base	PA66

LED Parameters

LED Type	Full Illuminate (LED)
Rated Voltage	6V/12V/24V/110V/220V
LED Color	R O Y G B W
LED Life	40,000 hours

Wire Color Code wire size 20awg

Green	Common Input
Red	Red led positive input
Blue/Black	Green led positive input
Blue	Normal Open
Black	Blue led positive input
Yellow	Normal Close
Yellow/white	LEDs common negative input