

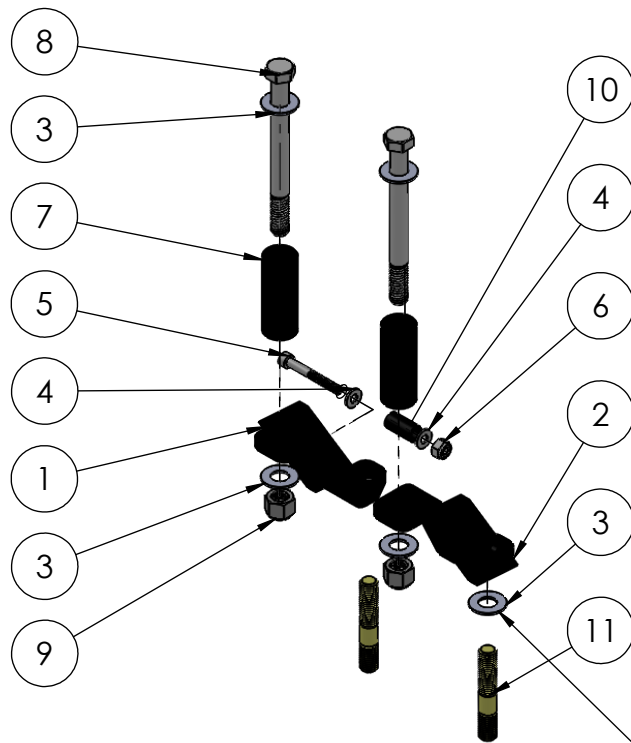
HARDIN MARINE 11 Industry Dr. Palm Coast, FL 32137
386-445-2500 / FAX 386-445-1122

PART NO.
620-38050

ITEM NO.	PART NUMBER	DESCRIPTION	QTY.
1	620-38052	BRKT, OIL FILTER - SEAWARD - STRB	1
2	620-32500R	BRKT, OIL FILTER - PORT	1
3	90037SA-STSS	WASHER, 3/8 SAE	5
4	90010AN-STSS	WASHER, #10 AN	2
5	90010C150SHS	BOLT	1
6	90010CN-FNSS	NUT, 10-24	1
7	620-32500C	SPACER, OIL FILTER RELOCATION	2
8	90037C400HHS	BOLT, 3/8	2
9	90037CN-FNSS	NUT, 3/8-16	2
10	620-38054	SPACER, OIL FILTER BRKT - SEAWARD	1
11	420-100	STUD, EXHAUST	2

TITLE:
SEAWARD OIL FILTER BRACKET-PARTS BREAKDOWN

www.hardin-marine.com



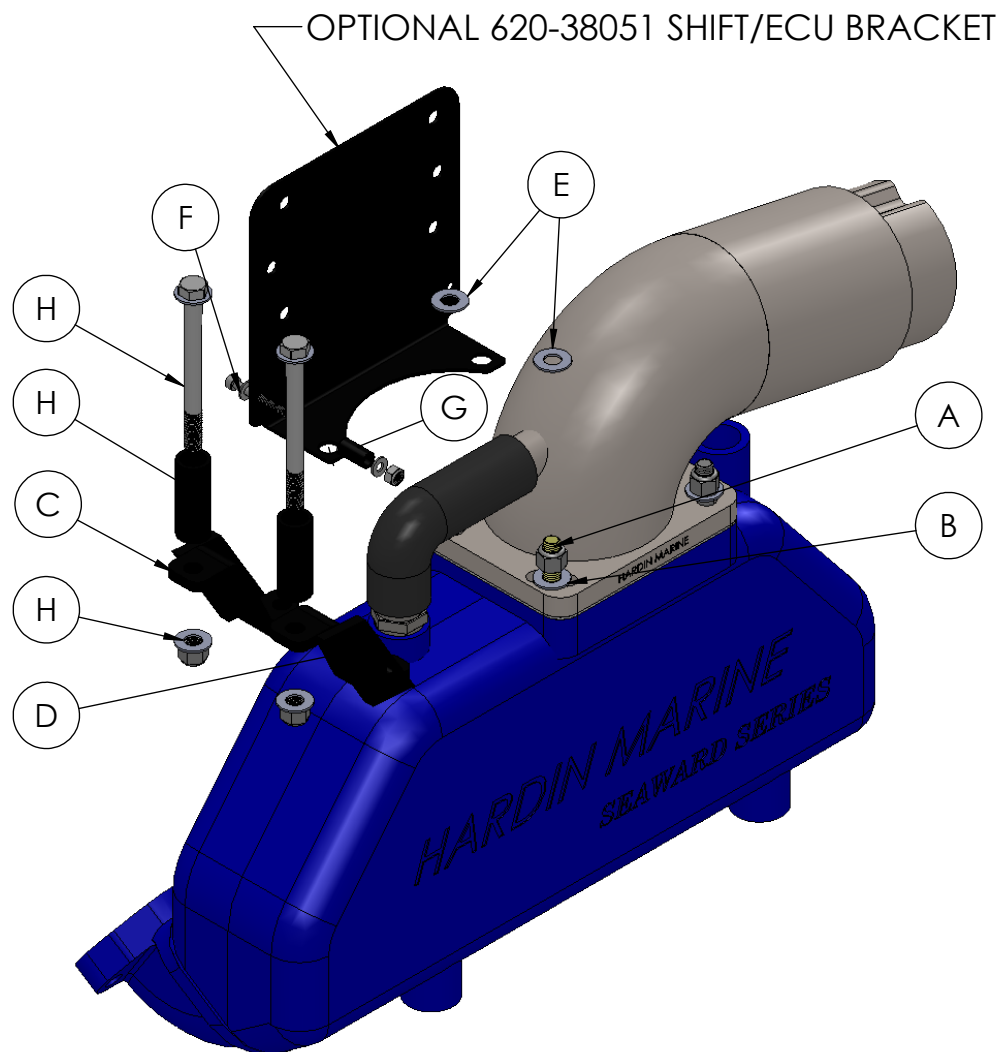
IMPORTANT NOTES:

- 1) ALWAYS USE ANTI-SIEZE ON ALL BOLTS.
- 2) TORQUE #10 BOLTS TO 100 IN. LBS..
- 3) TORQUE 3/8 BOLTS TO 35 FT. LBS..
- 4) PARTS 4,5,6 & 10 ARE ONLY USED WHEN INSTALLING BRACKET WITH 620-38051 SHIFT/ECU BRACKET.
- 5) REPLACE THE EXISTING MANIFOLD STUDS WITH #11 STUDS.

THIS WASHER IS ONLY USED WHEN INSTALL THIS KIT AND 620-38051 SHIFT/ECU BRACKET

TITLE:
SEAWARD OIL FILTER BRACKET-EXPLODED VIEW

www.hardin-marine.com



INSTALLATION INSTRUCTIONS:

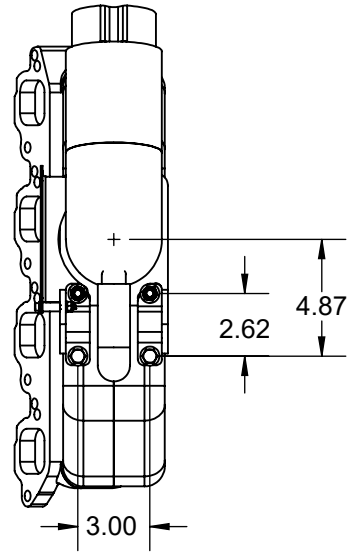
- 1) SEE PRINT 620-38050 PARTS FOR EXACT LIST OF PARTS THAT COME IN THIS KIT.
- 2) ASSEMBLY SHOWN WITH OPTIONAL 620-38051 SHIFT/ECU BRACKET. IF BRACKET IS NOT USED SKIP LINES 4,5, 7,8 & 9.
- 3) REPLACE THE EXISTING 2 STUDS THAT ARE IN THE MANIFOLD WITH THE SUPPLIED LONGER STUDS, FIG. A.
- 4) INSTALL WASHER OVER STUD. SEE FIG. B. **THIS WASHER IS ONLY USED WITH THE 620-38051 BRACKET!**
- 5) INSTALL 620-38051 BRACKET OVER THE STUDS.
- 6) SLIDE 620-38052 BRACKET, FIG C, & 620-32500R BRACKET, FIG. D OVER THE 2 STUDS. APPLY ANTI-SIEZE TO THE STUDS. INSTALL WASHER AND NUT FROM HEADER INSTALL KIT, FIG E. DO NOT TIGHTEN NUTS.
- 7) INSTALL #10BOLT WITH WASHER THRU THE 620-38051 BRACKET, FIG. F.
- 8) POSITION 620-38054, FIG G. SPACER BETWEEN THE 620-38051 & 620-38052 BRACKET.
- 9) APPLY ANTI-SIEZE TO THE BOLT. INSTALL #10 NUT AND WASHER ON THE INSIDE OF 620-38052 BRACKET. TORQUE TO 100 IN. LBS..
- 10) INSTALL FACTORY OIL FILTER BRACKET USING THE LONG 3/8 BOLTS, WASHERS, NUTS & SPACERS. SEE FIG. H.
- 11) NOW TORQUE ALL THE 3/8 NUTS, TO 35 FT. LBS..

HARDIN MARINE 11 Industry Dr. Palm Coast, FL 32137
386-445-2500 / FAX 386-445-1122

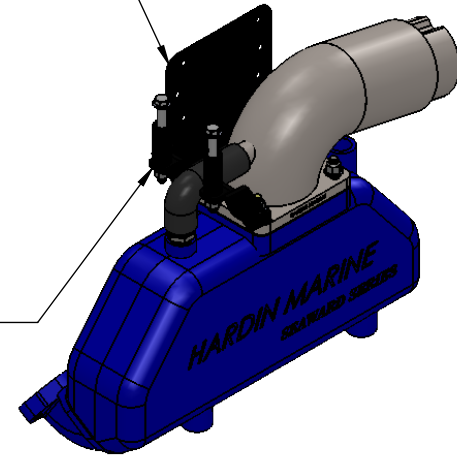
PART NO.
620-38050

TITLE:
SEAWARD OIL FILTER BRACKET-DIMENSIONS

www.hardin-marine.com



620-38051 SHIFT/ECU BRACKET,
NOT INCLUDED IN 620-38050 KIT



620-38050 OIL FILTER BRACKET

