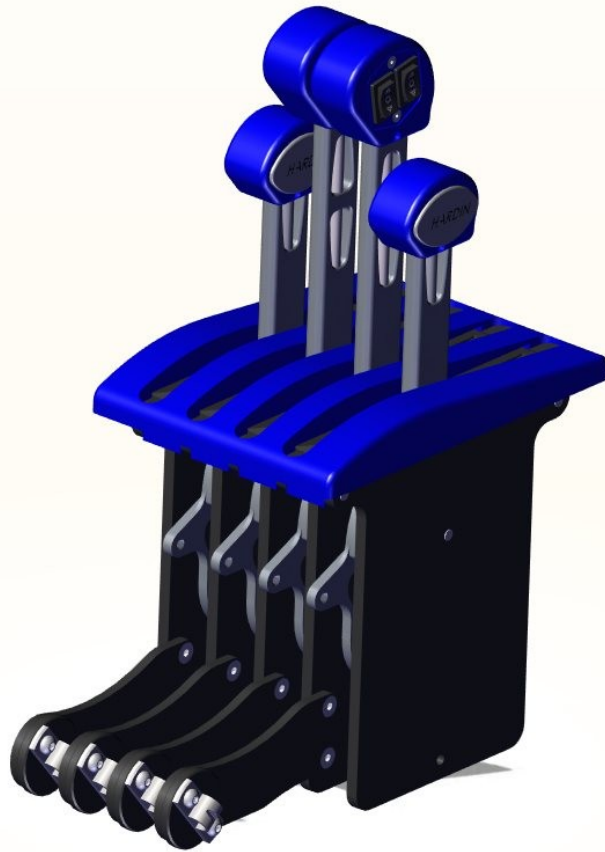


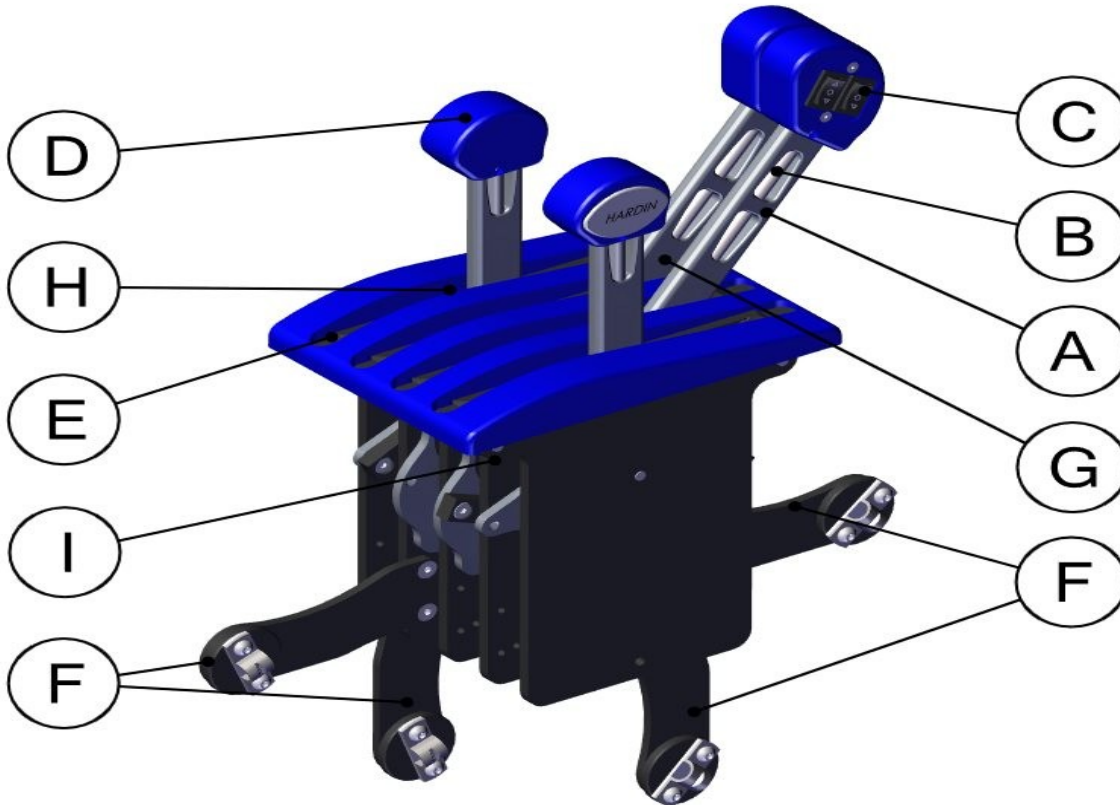


**OFFSHORE CONTROL  
620-2180I**





**OFFSHORE CONTROL  
620-2180I**



### HARDIN ADVANTAGE

- A) STAINLESS STEEL LEVERS. ALL OTHER PARTS BILLET 6061 ALUMINUM.
- B) NO EXPOSED WIRING.
- C) AVAILABLE 0-2 TRIM BUTTONS ON 2 LEVER CONTROL AND 0-4 ON 4 LEVER.
- D) 8 UV PROTECTED POWDER COATED FINISHES
- E) NO EXPOSED MOUNTING HARDWARE.
- F) 3 CABLE ENTRY POSITIONS.
- G) THROTTLE HAS 24 DETENT POSITIONS.
- H) ADJUSTABLE FRICTION & DETENTS FROM THE TOP.
- I) FRONT AND REAR LEVER MOVEMENT STOPS.



**OFFSHORE CONTROL  
620-2180I**

### **Tools Needed:**

- Phillips screw driver, 7/32 drill bit, jigsaw, 5/16 wrench, 1/16 allen key, 1/8 allen key, 1/8 allen T-handle and 5/32 allen T-handle.

### **Mounting Hardware:**

- We supply #10 x1-1/4 long wood screws. **DO NOT OVERTIGHTEN!** Improper installation will trigger corrosion and will void the warranty. It is best to use grease in the screw holes to prevent chipping the powder coat.

### **Mounting Templates:**

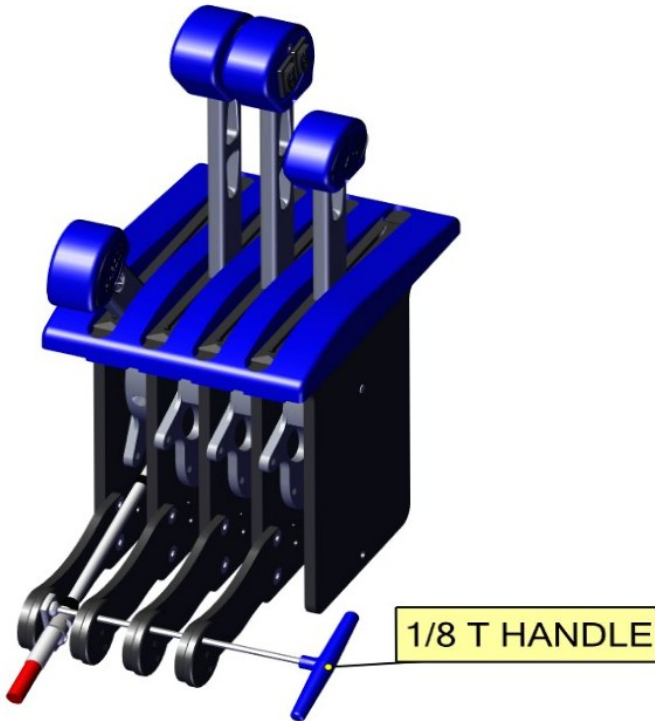
- Page 9 & 10 are the drill templates. If you are printing these instructions from online make sure the printer was set to 100%. Checked the scaled line on the print.
- Page 11 & 12 shows the dimensions for the control depth and movement.
- Make sure controls are mounted on a flat surface.
- Tape template to the mounting surface.
- Drill the (4) 7/32 corner.
- Use jigsaw to cutout hole for the control to slide into.

### **Cables:**

- These controls utilize 33 series cables. It is recommend to install new cables with these new controls. Hardin Marine carries all different length cables in stock.
- Attached the new cable to the old cable. When you pull the old cable out it will route the new cable into the original spot.
- The following pages will show cable adjustment.



## OFFSHORE CONTROL 620-2180I

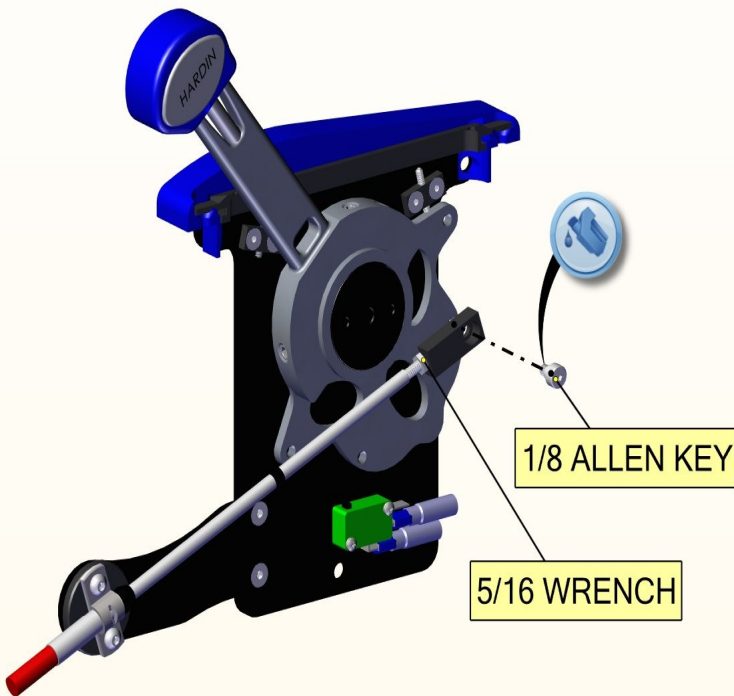


### Cable Pivot:

1. Use a 1/8 allen T-handle to remove all the cable clamps and hardware.
2. Starting from the far end. Align all of the swivel discs so T-handle can slide thru.

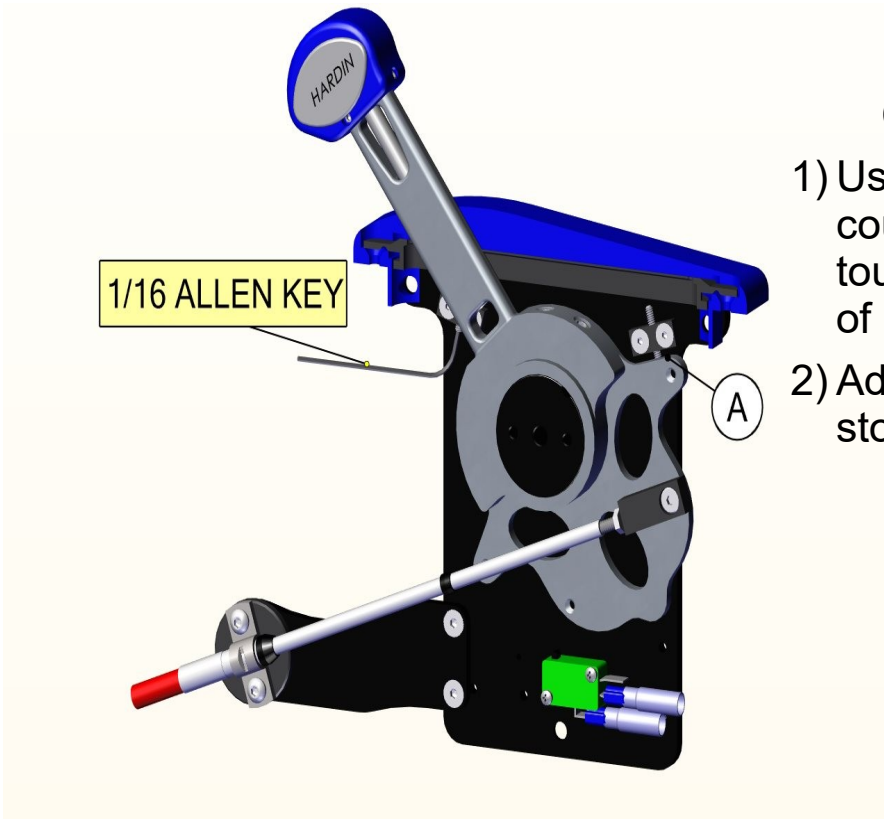
### Cable End:

- 1) Turning clockwise, screw cable end onto the cable
- 2) Apply anti-seize to the cable end attachment bolt.
- 3) Install bolt using 1/8 allen key.
- 4) Adjust cable.
- 5) When cable is properly adjusted, tighten nut using 5/16 wrench.
- 6) **WARNING** make sure cables are properly adjusted before starting engine and using the boat.



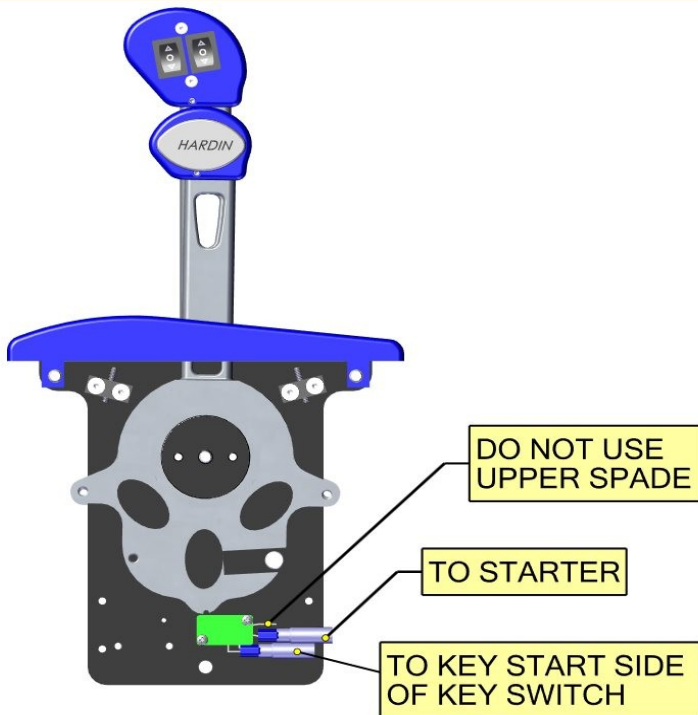


## OFFSHORE CONTROL 620-2180I



### Cable Stop:

- 1) Using a 1/16 allen key, turn counter clockwise till set screw touches the lever, Fig A at the end of cable movement.
- 2) Adjust both forward and rear stops the same way.



### Neutral Safety:

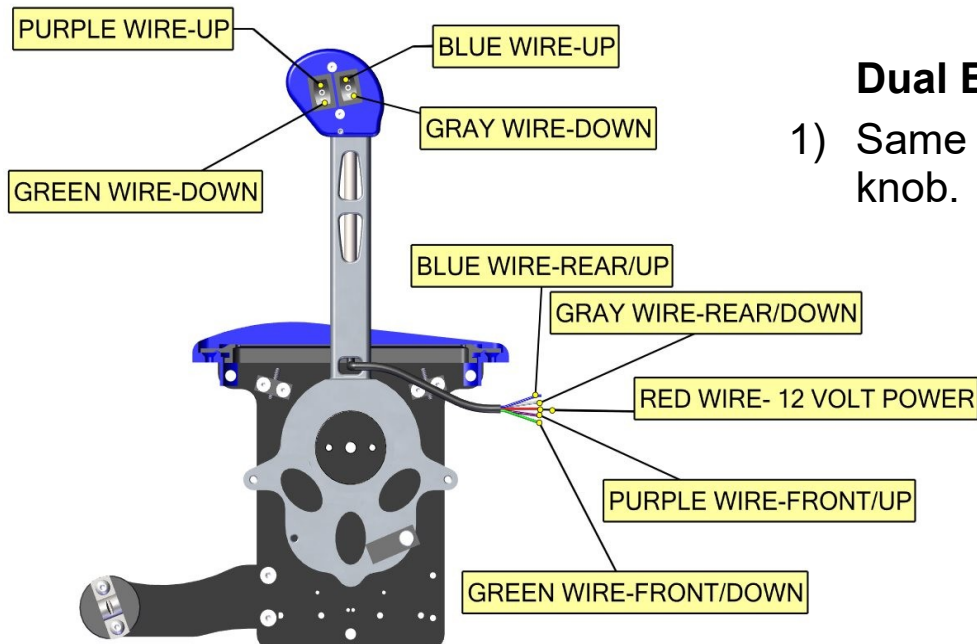
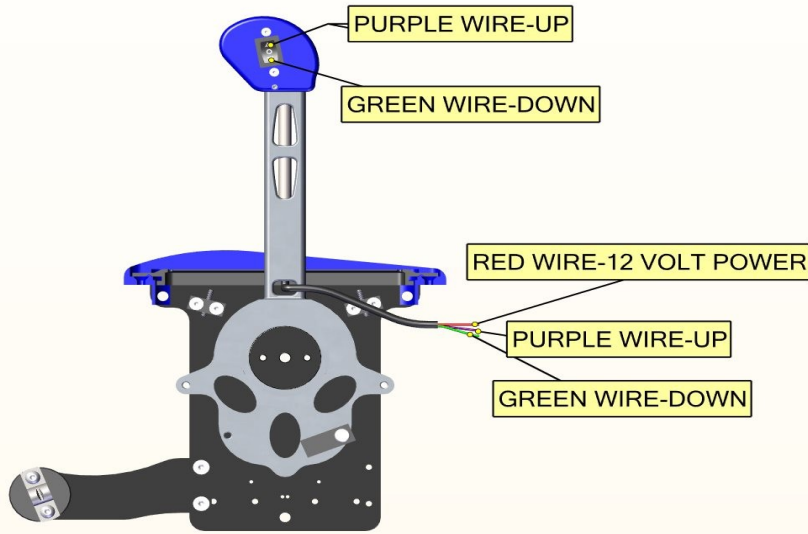
- 1) Bottom spade goes to the key start side of the key switch.
- 2) The center spade is to the starter.
- 3) Top spade is not used.



# OFFSHORE CONTROL 620-2180I

## Single Button Wiring:

- 1) Same port or starboard on the knob.

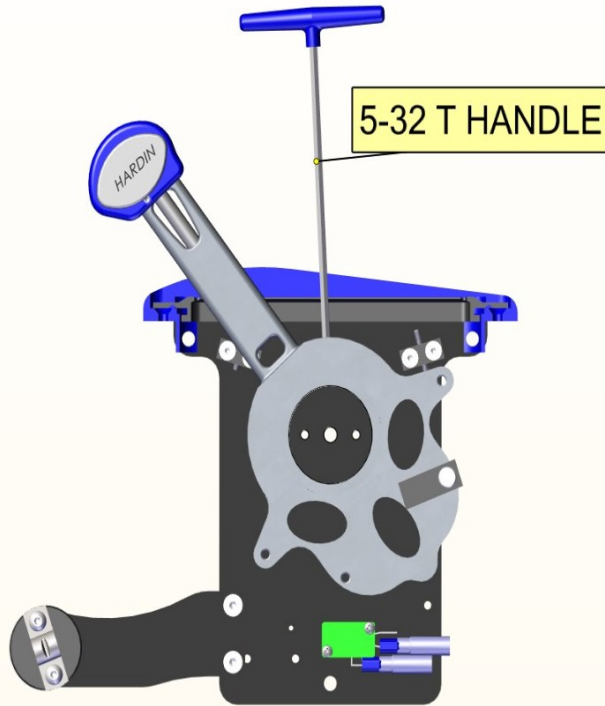


## Dual Button Wiring:

- 1) Same port or starboard on the knob.

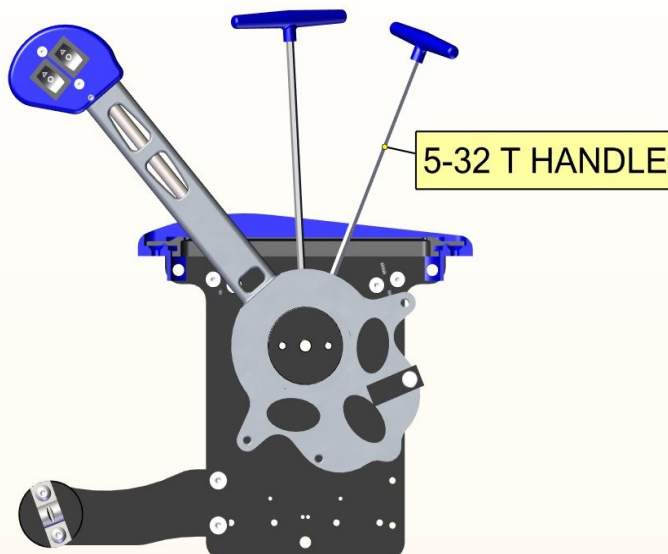


## OFFSHORE CONTROL 620-2180I



### Shift Lever Detent:

- 1) Push shift lever forward.
- 2) Using a 5/32 T-handle rotate the set screw clockwise.
- 3) Shift lever only has the neutral detent.
- 4) **WARNING:** Over tightening will damage the spring. If you coil bind the spring the ball will score into axle and will not be covered by warranty.

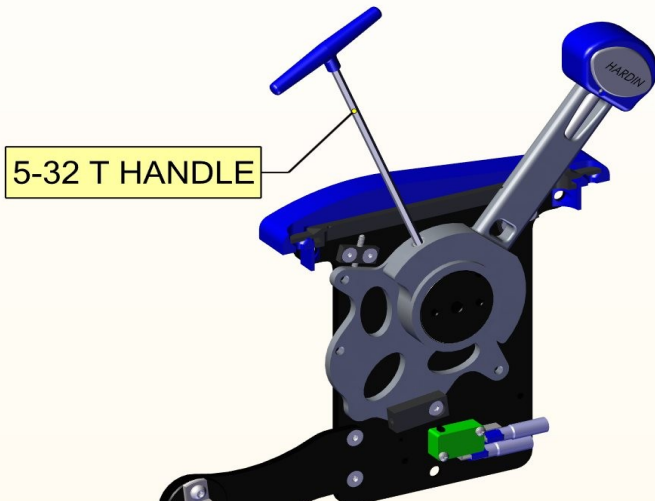


### Throttle Lever Detent:

- 1) Push throttle lever forward.
- 2) Using a 5/32 T-handle rotate the set screw clockwise to put more pressure.
- 3) Throttle lever has 2 detent balls.
- 4) **WARNING:** Over tightening will damage the spring. If you coil bind the spring the ball will score the axle and will not be covered by warranty.

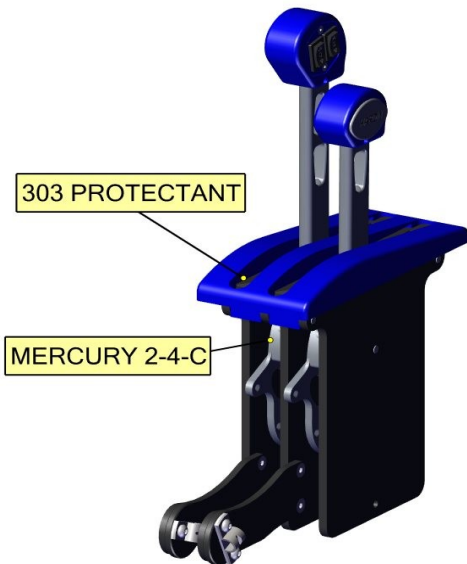


## OFFSHORE CONTROL 620-2180I



### Tensioner Adjustment:

- 1) Adjustment can be done from the top.
- 2) For both shift and throttle, move lever to the rear of the control.
- 3) Using 5/32 t-handle turn clockwise to put more pressure. These are not spring loaded.



### Maintenance:

- 1) Every 6 months lubricate the inside slit area of the rubber boots with 303 lubricant. We supply small bottle.
- 2) If salt build up or if or sticking is observed on the handle switches, rinse the affected area with fresh water and apply a water displacing lubricant
- 3) If levers become sticky, apply Mercury 2-4-C lubricate between lever and plate.





HARDIN  
MARINE

11 Industry Dr. Palm Coast, FL 32137  
386-445-2500 / FAX 386-445-1122

PART NO.

620-2135

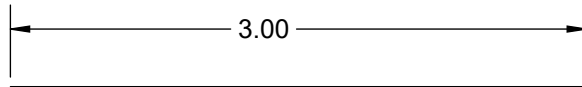
INSTRUCTIONS:

- 1) MAKE SURE PRINTER IS SET TO 100% SCALE. MEASURE THE 3.00 LINE TO MAKE SURE TO SCALE.
- 2) THE BLUE LINE IS THE OUTSIDE DIMENSIONS OF THE CONTROL COVER. CUTOUT TEMPLATE AND TAPE TO THE MOUNTING LOCATION.
- 3) USE A 3/16 DRILL TO DRILL THE 4 CORNERS.
- 4) USE JIGSAW TO CUTOUT OUT THE RED LINES THAT THE CONTROL WILL FIT INTO.
- 5) USE 9/64 DRILL TO PREDRILL FOR THE #10 SCREWS.

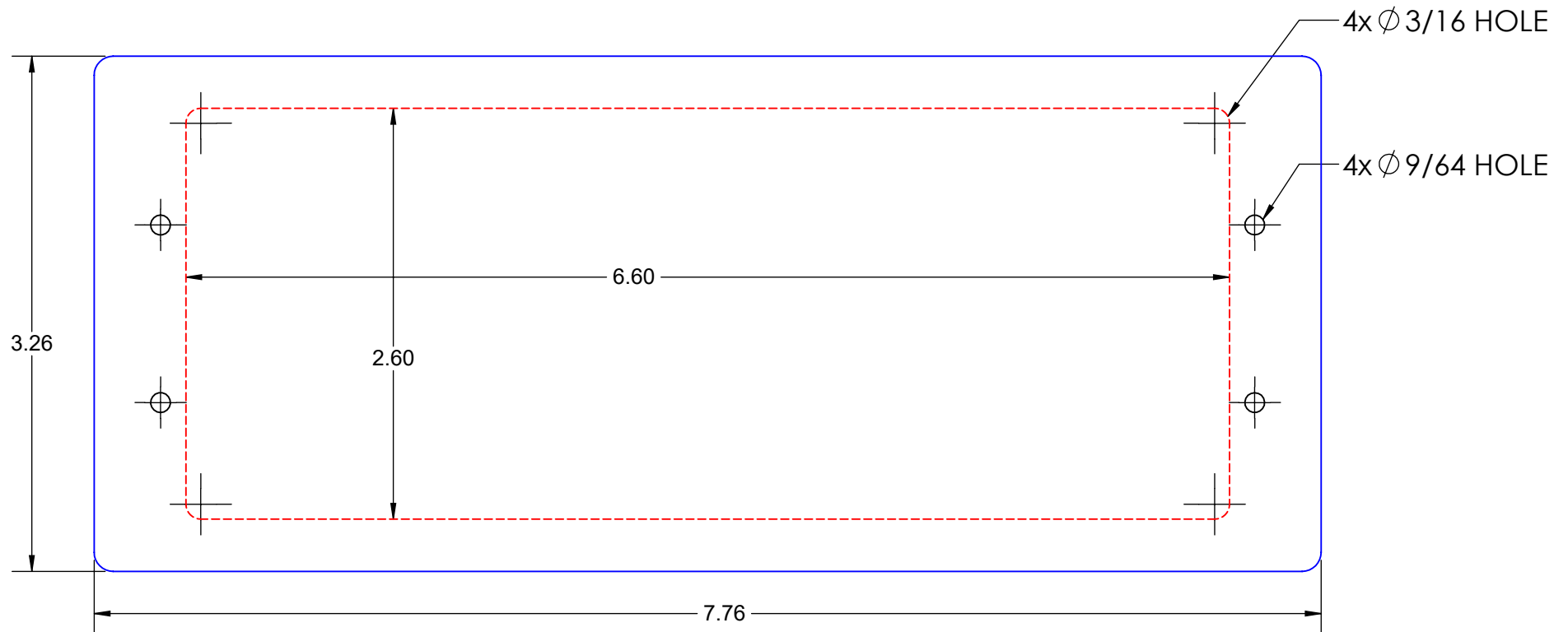
TITLE:

2 LEVER CUTOUT

[www.hardin-marine.com](http://www.hardin-marine.com)



MAKE SURE TO PRINTER IS SET TO PRINT AT  
100% SCALE. CHECK WITH LINE ABOVE



**HARDIN  
MARINE**

11 Industry Dr. Palm Coast, FL 32137  
386-445-2500 / FAX 386-445-1122

PART NO.

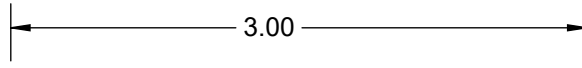
620-2137

**INSTRUCTIONS:**

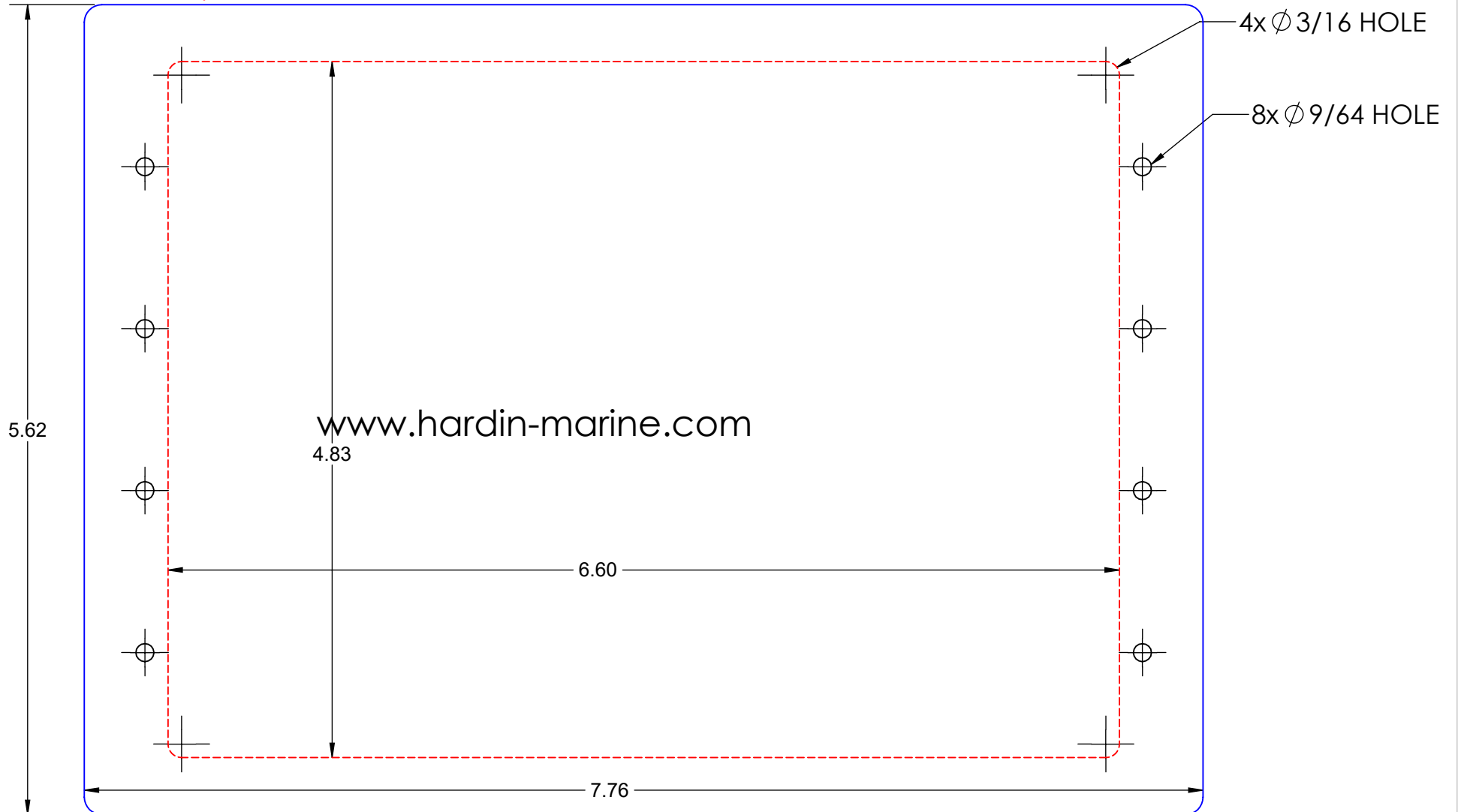
- 1) MAKE SURE PRINTER IS SET TO 100% SCALE. MEASURE THE 3.00 LINE TO MAKE SURE TO SCALE.
- 2) THE BLUE LINE IS THE OUTSIDE DIMENSIONS OF THE CONTROL COVER. CUTOUT TEMPLATE AND TAPE TO THE MOUNTING LOCATION.
- 3) USE A 3/16 DRILL TO DRILL THE 4 CORNERS.
- 4) USE JIGSAW TO CUTOUT OUT THE RED LINES THAT THE CONTROL WILL FIT INTO.
- 5) USE 9/64 DRILL TO PREDRILL FOR THE #10 SCREWS.

TITLE:

**4 LEVER CUTOUT**



MAKE SURE TO PRINTER IS SET TO PRINT AT  
100% SCALE. CHECK WITH LINE ABOVE



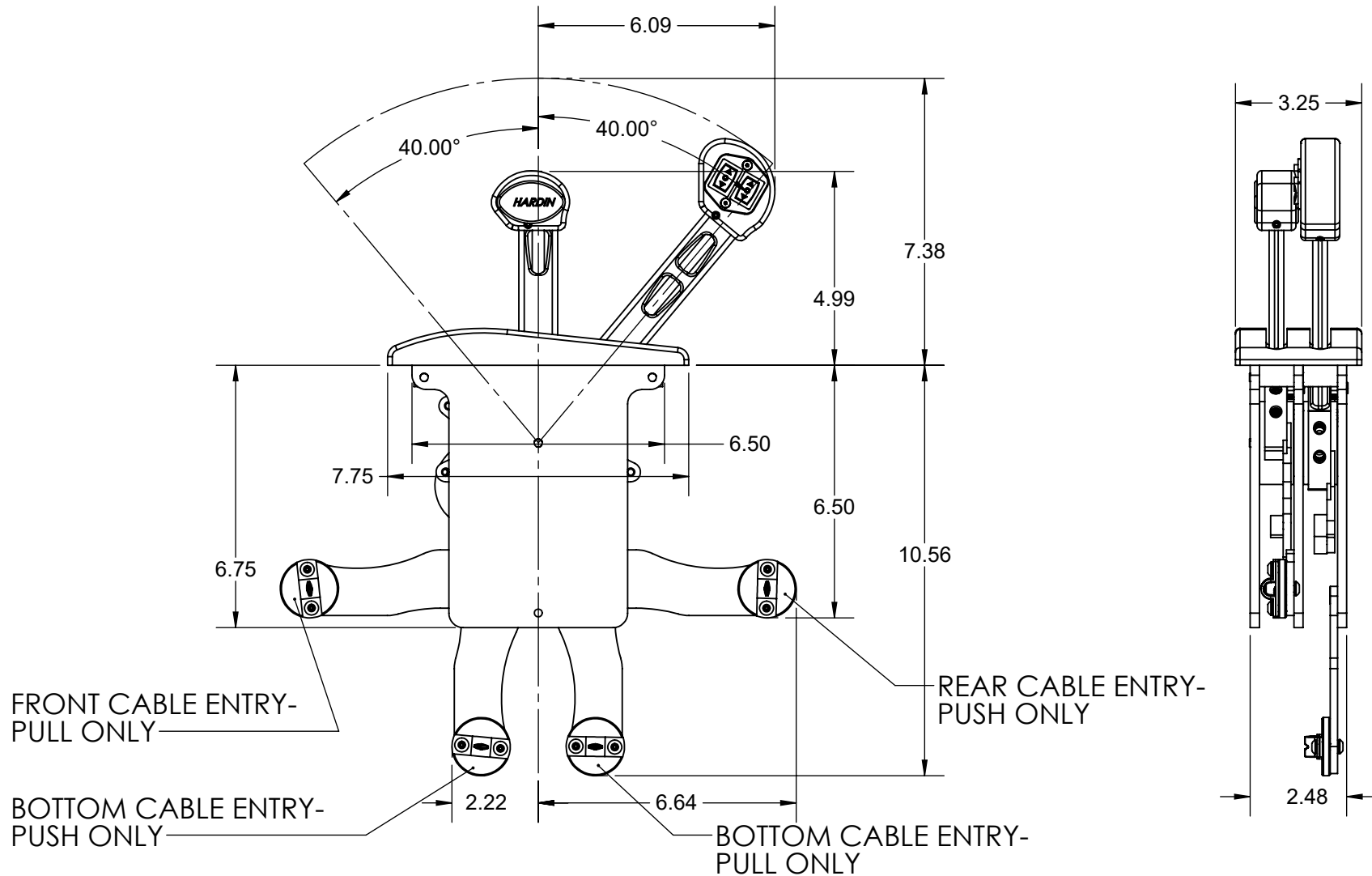
THIS DRAWING IS CONFIDENTIAL AND IS SUPPLIED ON EXPRESS CONDITION THAT IT SHALL NOT BE LENT, COPIED OR DISCLOSED TO ANY OTHER PERSON OR USED FOR ANY OTHER PURPOSE WITHOUT WRITTEN CONSENT OF HARDIN MARINE INC.. BREACH OF THIS CONTRACT WILL HOLD ..... AND IT'S PRINCIPALS LIABLE FOR LOSS AND DAMAGES.

HARDIN 11 Industry Dr. Palm Coast, FL 32137  
MARINE 386-445-2500 / FAX 386-445-1122

PART NO.  
620-2181

TITLE:  
HARDIN 2 LEVER OFFSHORE  
CONTROL DIMENSIONS

www.hardin-marine.com



THIS DRAWING IS CONFIDENTIAL AND IS SUPPLIED ON EXPRESS CONDITION THAT IT SHALL NOT BE LENT, COPIED OR DISCLOSED TO ANY OTHER PERSON OR USED FOR ANY OTHER PURPOSE WITHOUT WRITTEN CONSENT OF HARDIN MARINE INC.. BREACH OF THIS CONTRACT WILL HOLD ..... AND IT'S PRINCIPALS LIABLE FOR LOSS AND DAMAGES.

HARDIN  
MARINE

11 Industry Dr. Palm Coast, FL 32137  
386-445-2500 / FAX 386-445-1122

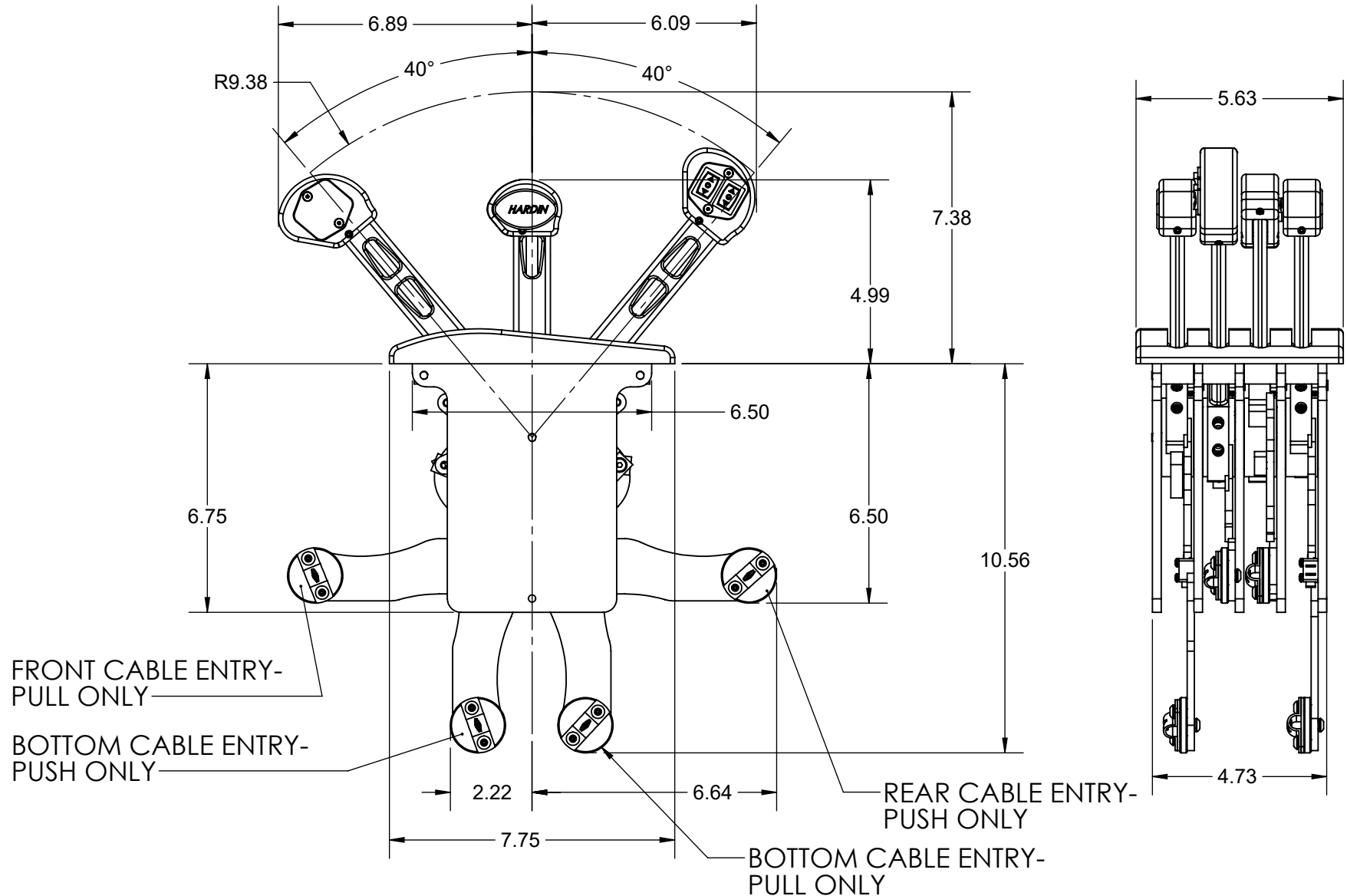
PART NO.

620-2184

TITLE:

HARDIN 4 LEVER OFFSHORE  
CONTROL DIMENSIONS

[www.hardin-marine.com](http://www.hardin-marine.com)



THIS DRAWING IS CONFIDENTIAL AND IS SUPPLIED ON EXPRESS CONDITION THAT IT SHALL NOT BE LENT, COPIED OR DISCLOSED TO ANY OTHER PERSON OR USED FOR ANY OTHER PURPOSE WITHOUT WRITTEN CONSENT OF HARDIN MARINE INC.. BREACH OF THIS CONTRACT WILL HOLD ..... AND IT'S PRINCIPALS LIABLE FOR LOSS AND DAMAGES.