

HARDIN MARINE 11 Industry Dr. Palm Coast, FL 32137
386-445-2500 / FAX 386-445-1122

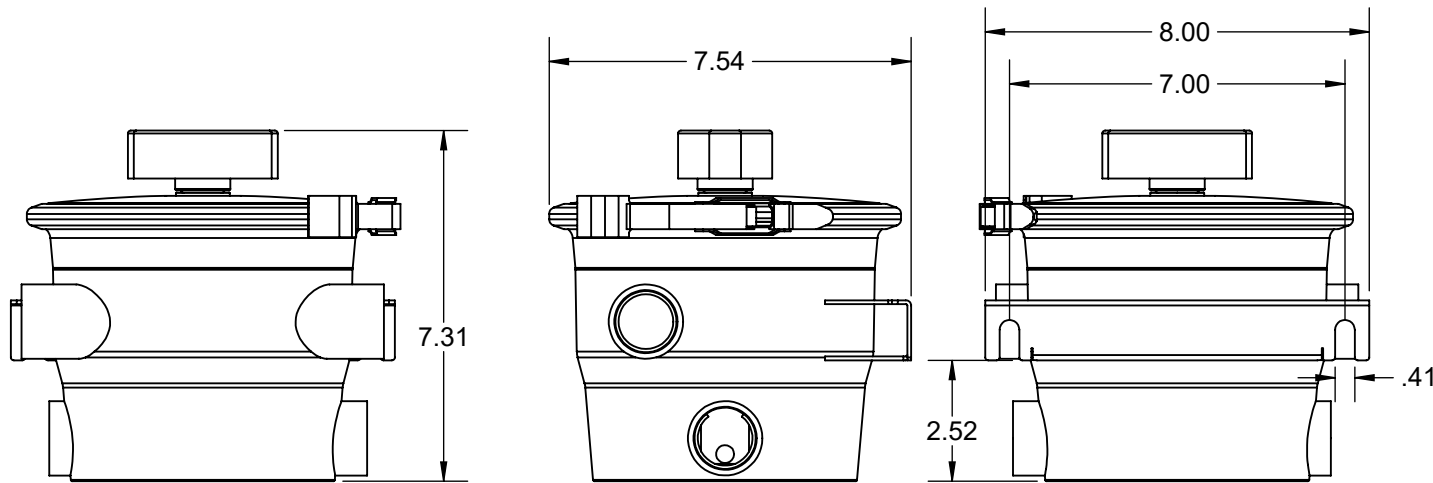
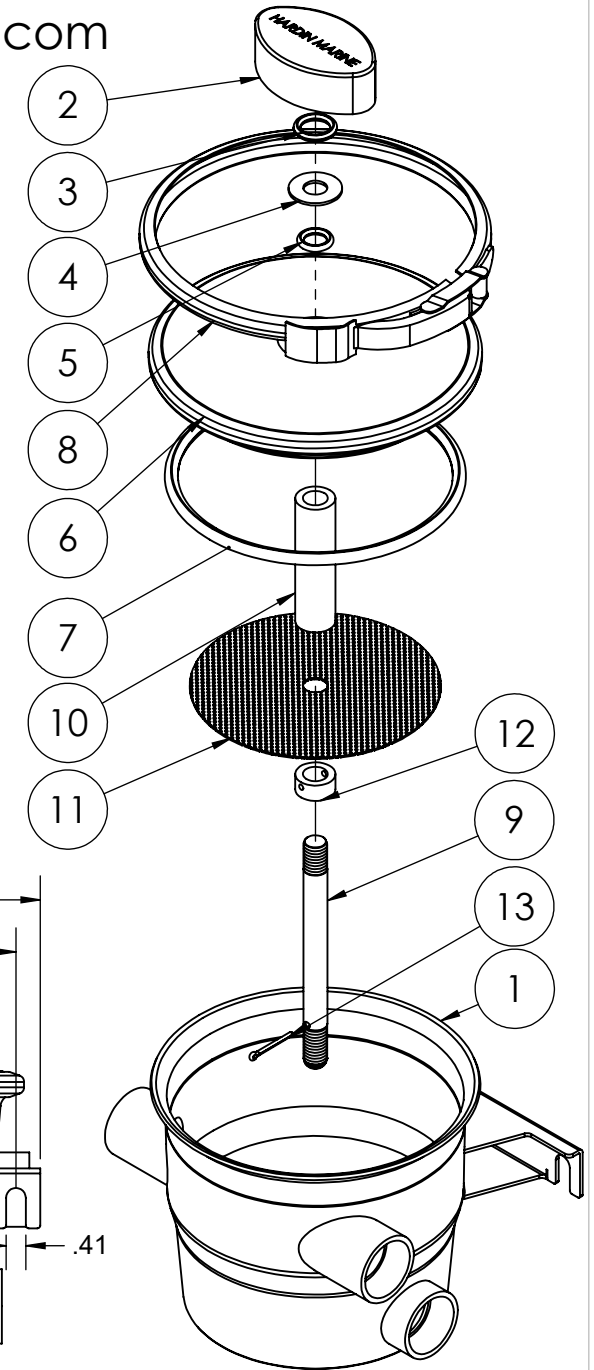
PART NO.
420-913222

www.hardin-marine.com

TITLE: OFFSHORE SEA STRAINER - 1/2 SHAFT - PARTS BREAKDOWN

ITEM NO.	PART NUMBER	DESCRIPTION	QTY.
1	420-913222K	CAN, OFFSHORE SEA STRAINER - GEN2	1
2	620-913225	KNOB, SEA STRAINER	1
3	420-913212	O-RING, SEA STRAINER KNOB	1
4	420-913211	WASHER, 1/2 SHAFT - OFFSHORE SEA STRAINER	1
5	625-1206	O-RING	1
6	420-913272	LID, 1/2 SHAFT - OFFSHORE SEA STRAINER	1
7	625-1435	O-RING	1
8	420-913295	CLAMP, OFFSHORE SEA STRAINER	1
9	620-913215	STUD, SEA STRAINER	1
10	420-913213	SPACER, LONG - 1/2 SHAFT - OFFSHORE SEA STRAINER	1
11	420-913216	SCREEN, 1/2 SHAFT - OFFSHORE SEA STRAINER	1
12	420-913214	SPACER, SHORT - 1/2 SHAFT - OFFSHORE SEA STRAINER	1
13	420-913215	COTTER PIN, 1/2 SHAFT - OFFSHORE SEA STRAINER	1

420-913222K IS NOT SOLD SEPARATELY. 420-913210 REPLACEMENT LID ASSEMBLY CONTAINS PARTS 2-7 & 9-13. 420-913295 CLAMP IS NOT INCLUDED IN LID ASSEMBLY.



THIS DRAWING IS CONFIDENTIAL AND IS SUPPLIED ON EXPRESS CONDITION THAT IT SHALL NOT BE LENT, COPIED OR DISCLOSED TO ANY OTHER PERSON OR USED FOR ANY OTHER PURPOSE WITHOUT WRITTEN CONSENT OF HARDIN MARINE INC.. BREACH OF THIS CONTRACT WILL HOLD AND IT'S PRINCIPALS LIABLE FOR LOSS AND DAMAGES.