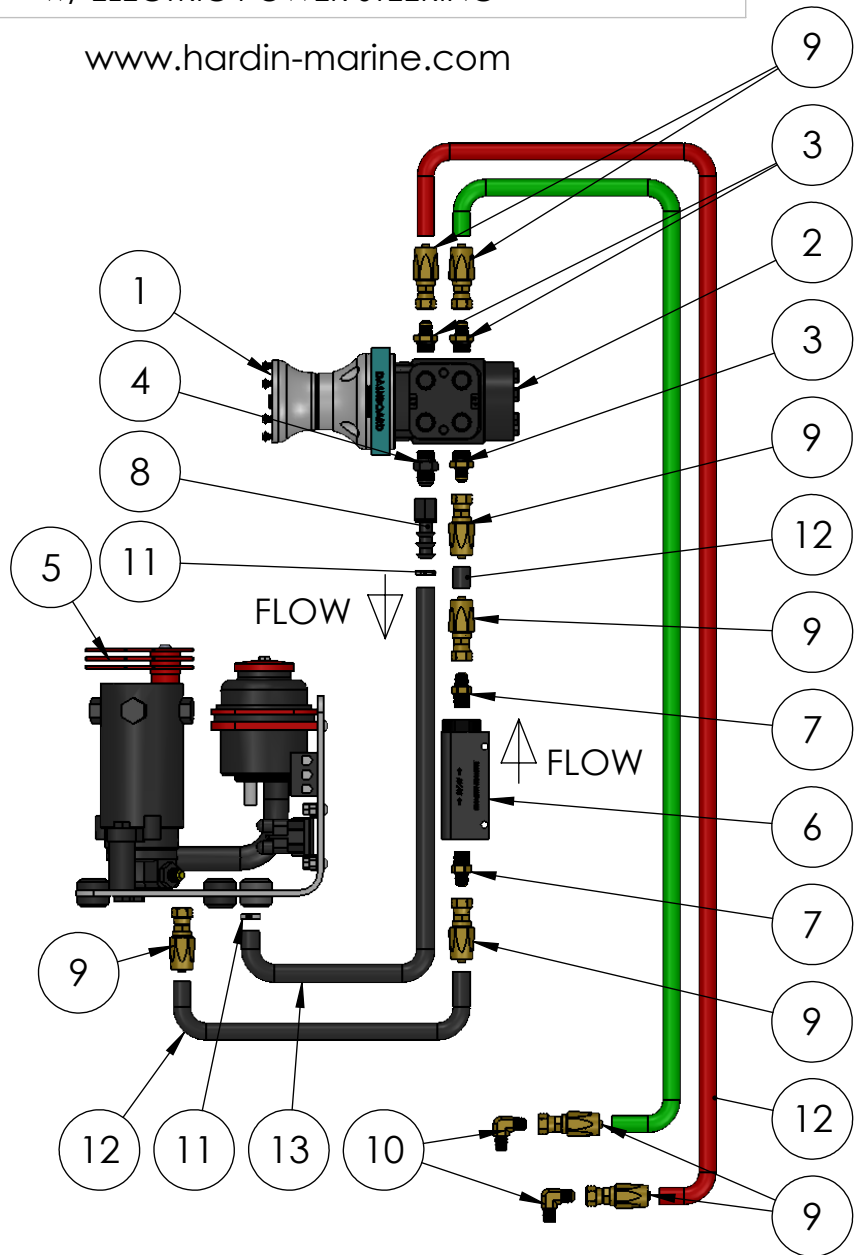


**HARDIN MARINE** 11 Industry Dr. Palm Coast, FL 32137  
386-445-2500 / FAX 386-445-1122

PART NO.  
137-9570

TITLE: OUTBOARD SINGLE RAM INSIDE KIT  
w/ ELECTRIC POWER STEERING

www.hardin-marine.com



BOM Table

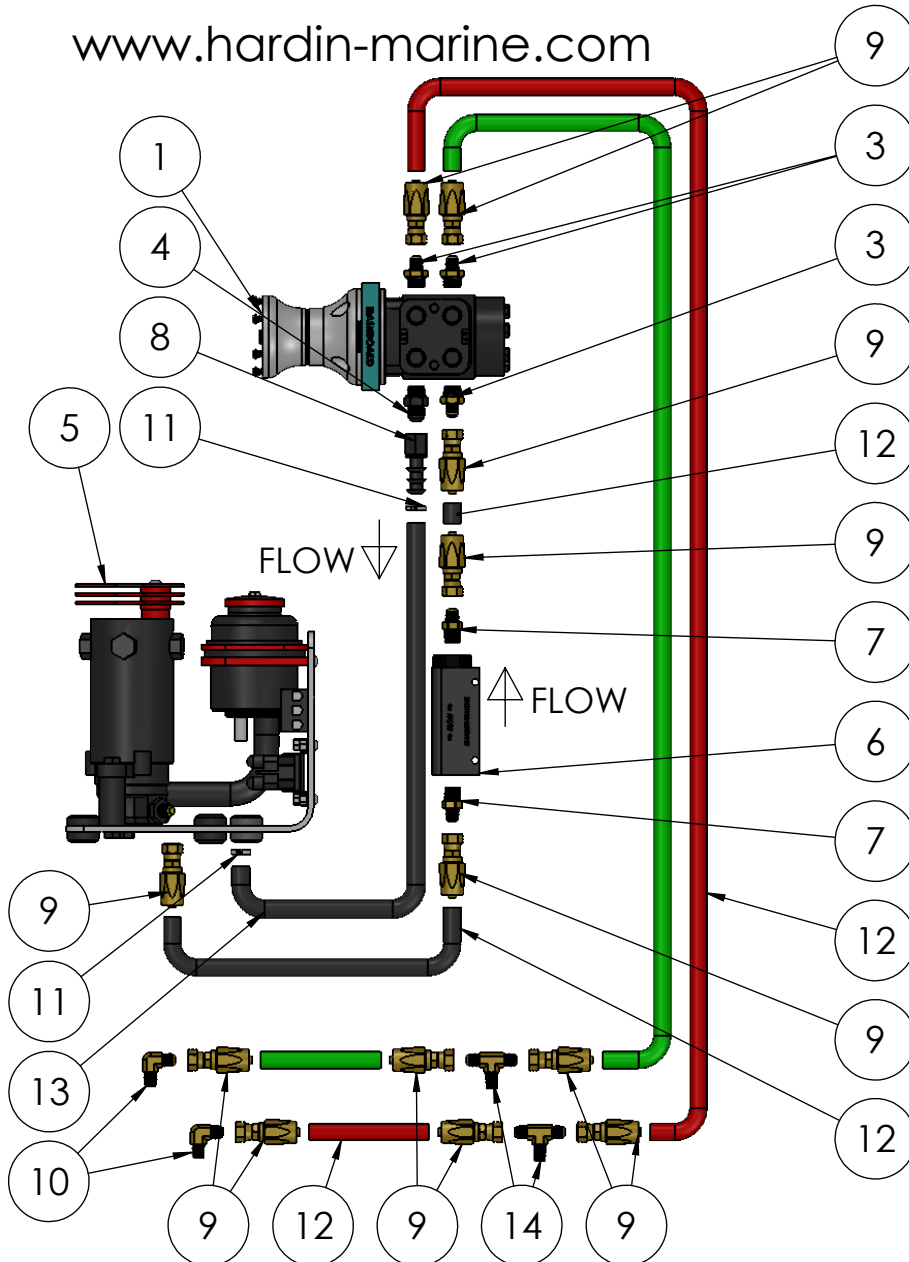
ITEM NO.	PART NUMBER	DESCRIPTION	QTY.
1	137-9120	4" STEERING COLUMN	1
2	137-9145	HELM, SINGLE RAM	1
3	137-9360	FITTING, HELM x -6 JIC	3
4	552-980008	FITTING, HELM x-8 JIC	1
5	421-32	ELECTRIC POWER STEERING PUMP	1
6	137-9037	POWER STEERING FILTER	1
7	137-9366	FITTING, 3/8NPT x -6JIC	2
8	552-230008BB	HOSE END, -8	1
9	137-9365	-6 JIC HOSE END	8
10	137-9363	FITTING, 1/4 NPT x -6 JIC	2
11	552-818408	CLAMP, -8 PUSH LOC	2
12	137-9301	HOSE, -6 JIC	80'
13	552-520008	HOSE, -8 PUSH LOC	20'

**INSTALLATION INSTRUCTIONS:**

- 1) USE ATTACHED INSTRUCTIONS FOR PROPER INSTALLATION OF 137-9120 STEERING COLUMN.
- 2) USE ATTACHED INSTRUCTIONS 137-9570 HELM FOR HOSE DIAGRAM TO AND FROM THE HELM.
- 3) USE ATTACHED 421-32 INSTRUCTIONS TO DETERMINE THE PROPER LOCATION FOR THE ELECTRIC POWER STEERING PUMP AND WIRING.
- 4) MOUNT #6 137-9037 FILTER TO BULKHEAD OR STRINGER. MAKE SURE THE FLOW IS POINTING TOWARDS THE HELM. INSTALL #7 137-9366 FITTINGS WITH TEFLON PIPE SEALANT.
- 5) USE HOSE & FITTING INSTALLATION INSTRUCTIONS TO MAKE ALL OF YOUR HOSES.
- 6) THE RETURN SIDE OF THE HELM "T" IS THE LOW PRESSURE SIDE. USE #8 552-230008BB HOSE END AT THE HELM. THE OTHER SIDE OF THE HOSE CONNECTS TO THE BARB AT THE BOTTOM OF THE RESERVOIR. MAKE SURE TO INSTALL #11 552-818408 CLAMPS ON BOTH SIDES OF THE HOSE.
- 7) USE TEFLON PIPE SEALANT TO INSTALL BOTH THE #10 137-9363 INTO THE THRU HULL FITTINGS FOR THE STEERING RAM HOSES.

TITLE: **OUTBOARD DUAL RAM INSIDE KIT w/  
ELECTRIC POWER STEERING**

www.hardin-marine.com



ITEM NO.	PART NUMBER	DESCRIPTION	QTY.
1	137-9120	4" STEERING COLUMN	1
2	137-9146	HELM, DUAL RAM	1
3	137-9360	FITTING, HELM x -6 JIC	3
4	552-980008	FITTING, HELM x-8 JIC	1
5	421-32	ELECTRIC POWER STEERING PUMP	1
6	137-9037	POWER STEERING FILTER	1
7	137-9366	FITTING, 3/8NPT x -6JIC	2
8	552-230008BB	HOSE END, -8	1
9	137-9365	-6 JIC HOSE END	12
10	137-9363	FITTING, 1/4 NPT x -6 JIC	2
11	552-818408	CLAMP, -8 PUSH LOC	2
12	137-9301	HOSE, -6 JIC	80'
13	552-520008	HOSE, -8 PUSH LOC	20'
14	137-9358	TEE, -6JIC TO 1/4 NPT	2

**INSTALLATION INSTRUCTIONS:**

- 1) USE ATTACHED INSTRUCTIONS FOR PROPER INSTALLATION OF 137-9120 STEERING COLUMN.
- 2) USE ATTACHED INSTRUCTIONS 137-9570 HELM FOR HOSE DIAGRAM TO AND FROM THE HELM.
- 3) USE ATTACHED 421-32 INSTRUCTIONS TO DETERMINE THE PROPER LOCATION FOR THE ELECTRIC POWER STEERING PUMP AND WIRING.
- 4) MOUNT #6 137-9037 FILTER TO BULKHEAD OR STRINGER. MAKE SURE THE FLOW IS POINTING TOWARDS THE HELM. INSTALL #7 137-9366 FITTINGS WITH TEFLON PIPE SEALANT.
- 5) USE HOSE & FITTING INSTALLATION INSTRUCTIONS TO MAKE ALL OF YOUR HOSES.
- 6) THE RETURN SIDE OF THE HELM "T" IS THE LOW PRESSURE SIDE. USE #8 552-230008BB HOSE END AT THE HELM. THE OTHER SIDE OF THE HOSE CONNECTS TO THE BARB AT THE BOTTOM OF THE RESERVOIR. MAKE SURE TO INSTALL #11 552-818408 CLAMPS ON BOTH SIDES OF THE HOSE.
- 7) USE TEFLON PIPE SEALANT TO INSTALL BOTH THE #10 137-9363 & #14 137-9358 INTO THE THRU HULL FITTINGS FOR THE STEERING RAM HOSES.

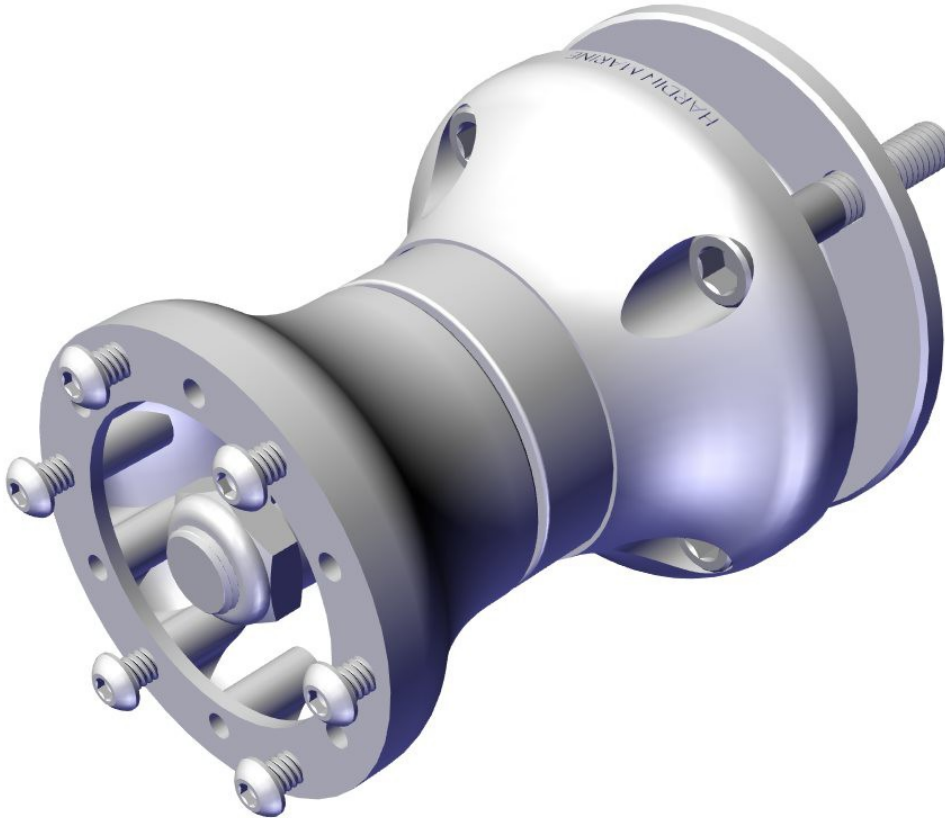


## MAYFAIR STEERING POST

137-9120

137-9121

137-9122



- 137-9120 4" FROM DASH
- 137-9121 6" FROM DASH
- 137-9122 8" FROM DASH

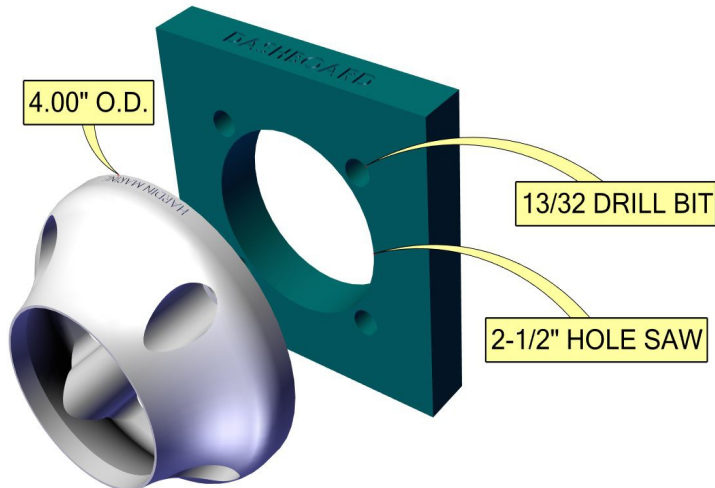


## MAYFAIR STEERING POST

137-9120

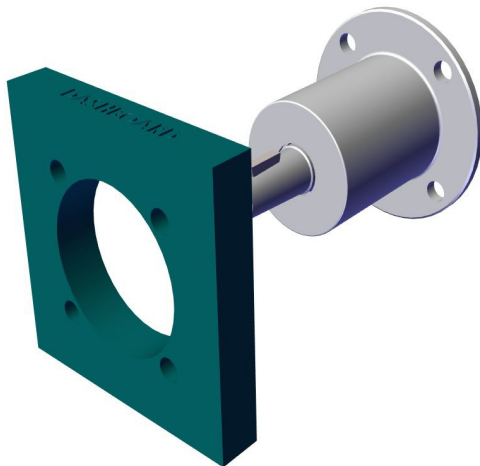
137-9121

137-9122



### STEP 1:

- 1) CENTERMARK THE CENTER HOLE AND 4 MOUNTING HOLES.
- 2) USE 137-9103 HELM RING TO FIND PLACEMENT ON DASH.
- 3) USE 2-1/2" HOLE SAW FOR CENTER HOLE
- 4) USE 13/32 FOR THE 4 MOUNTING HOLES.

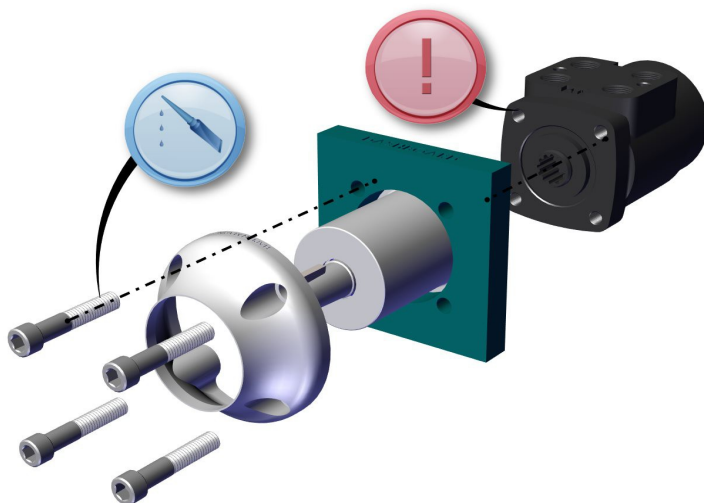


### STEP 2:

- 1) INSTALL STEERING POST FROM BEHIND THE DASH.

### STEP 3:

- 1) APPLY BLUE LOCTITE TO THE 3/8 16 x 2.00 LONG BOLTS.
- 2) SLIDE HELM RING OVER POST.
- 3) SCREW BOLTS INTO THE HELM.
- 4) WARNING: MAKE SURE BOLTS DO NOT BOTTOM OUT IN THE HELM BEFORE IT TOUCHES THE POST.



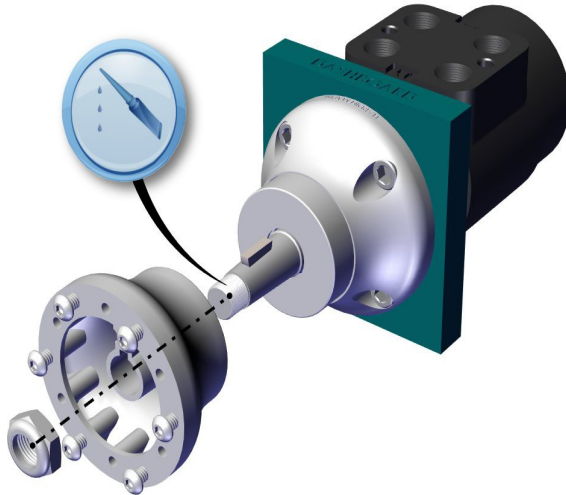


## MAYFAIR STEERING POST

137-9120

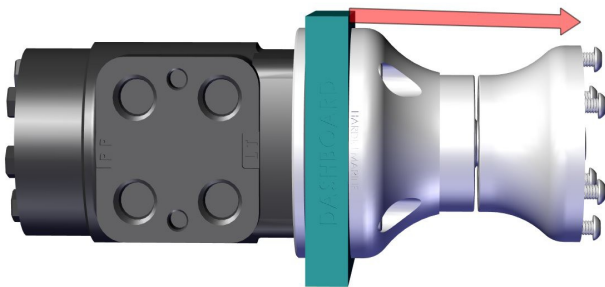
137-9121

137-9122



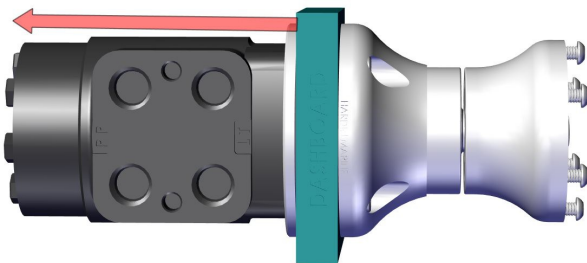
### STEP 4:

- 1) APPLY ANTI SIEZE TO THE THREADS.
- 2) SLIDE ADAPTER ON TO SHAFT. IN POSITION WITH KEYWAY.
- 3) TORQUE TO 50 FT. LBS..



STEERING WHEEL MOUNTING  
FACE DIMENSION WITH  $\frac{3}{4}$  THICK  
DASH

- 137-9120: 4"
- 137-9121: 6"
- 137-9122: 8"



HELM DEPTH BEHIND THE DASH

- 137-9145 SINGLE RAM: 5-3/4"
- 137-9146 DUAL RAM: 6-1/16"
- 137-9147 QUAD RAM: 6-9/16"



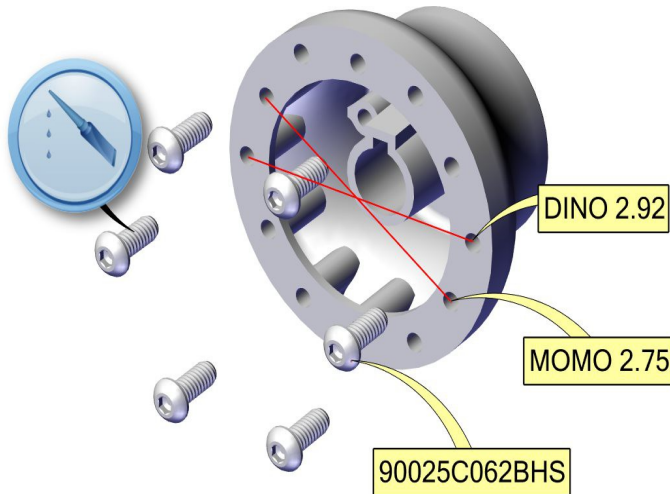


## MAYFAIR STEERING POST

137-9120

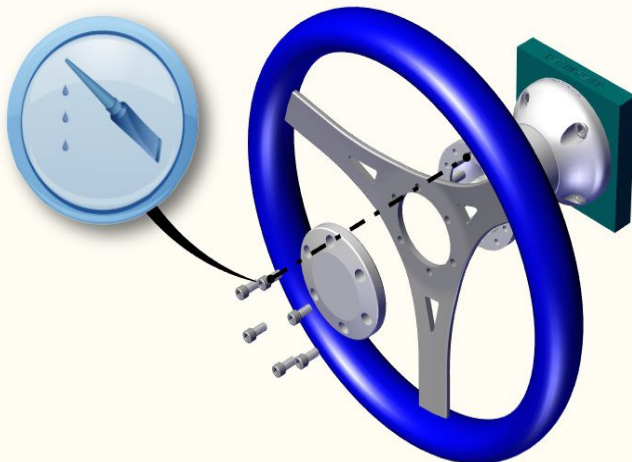
137-9121

137-9122



### BOLT PATTERN

- MOMO 2.75 BETWEEN CENTERS
- DINO 2.92 BETWEEN CENTERS
- WE SEND WITH 1/4-20 BOLTS. USE LOCTITE ON THE BOLTS AND TORQUE TO 120 IN. LBS..

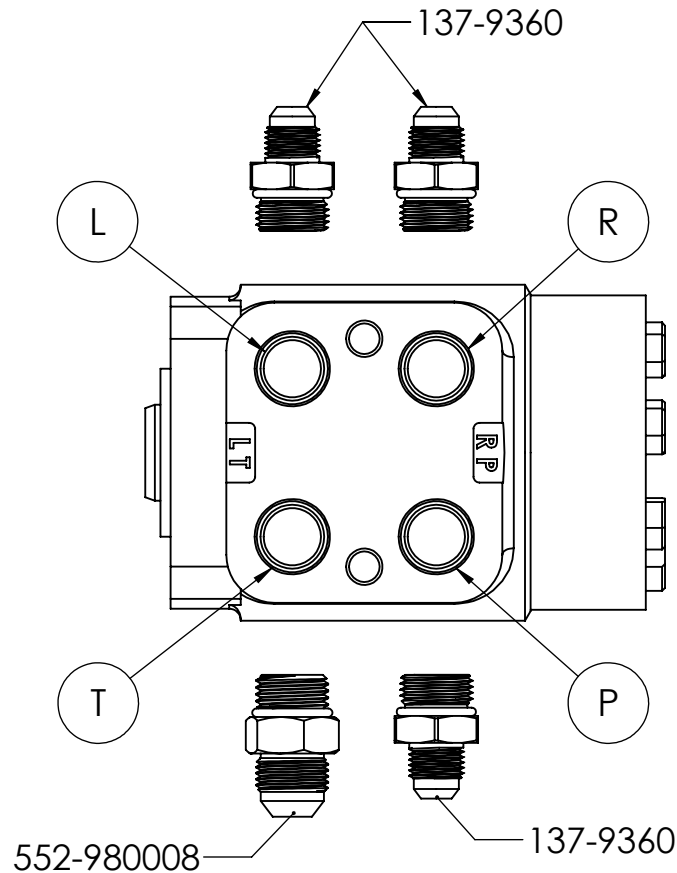


### OPTIONAL HORN BUTTON

- 137-9130 MOMO
- 137-9131 DINO
- USE THE 1/4-20 BOLTS THAT COME WITH THE HORN BUTTON. USE LOCTITE ON THE BOLTS AND TORQUE TO 120 IN. LBS..

TITLE:  
OUTBOARD INSIDE KIT HELM INSTALLATION

www.hardin-marine.com



INSTALLATION INSTRUCTIONS:

- 1) SAME FOR BOTH SINGLE AND DUAL RAM.
- 2) HELM CAN BE INSTALLED AT ANY OF THE 4 90° POSITIONS THAT BEST SUITS THE APPLICATION.
- 3) APPLY OIL TO THE O-RINGS ON ALL 4 FITTINGS.
- 4) 552-980008 IS THE LOW PRESSURE RETURN BACK TO THE BOTTOM OF THE RESERVOIR. FITTING IS INSTALLED INTO THE "T" PORT.
- 5) 137-9360 IS INSTALLED INTO THE REMAINING 3 PORTS.
- 6) "P" PORT IS THE HI PRESSURE IN FROM POWER STEERING PUMP.
- 7) "L" & "R" ARE THE HOSES THAT RUN TO THE THRU HULL FITTINGS IN THE TRANSOM. "L" IS LEFT AND "R" IS RIGHT.

HARDIN MARINE 11 Industry Dr. Palm Coast, FL 32137  
386-445-2500 / FAX 386-445-1122

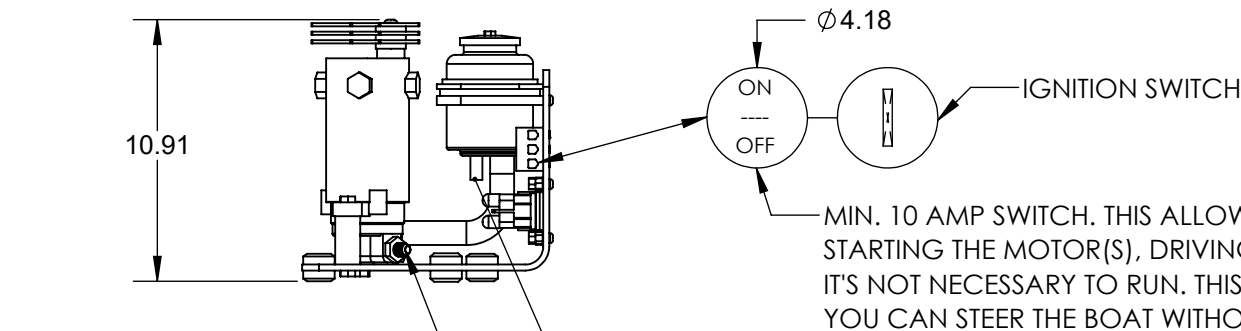
PART NO.  
421-32

TITLE:  
**ELECTRIC POWER STEERING PUMP**

www.hardin-marine.com

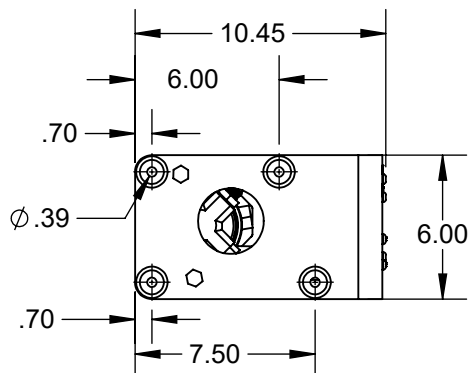
**NOTE:**  
THIS PUMP CAN PULL UP TO 60AMPS OF POWER, ANYTHING LESS THAN 8 GAUGE WIRE WILL OVER HEAT THE PUMP AND COULD CAUSE AN ELECTRICAL FIRE.

**NOTE:**  
IT IS IMPORTANT THAT THE ELECTRIC PUMP IS INSTALLED IN A DRY AND WELL VENTILATED AREA. FRESH AIR IS IMPORTANT FOR COOLING!

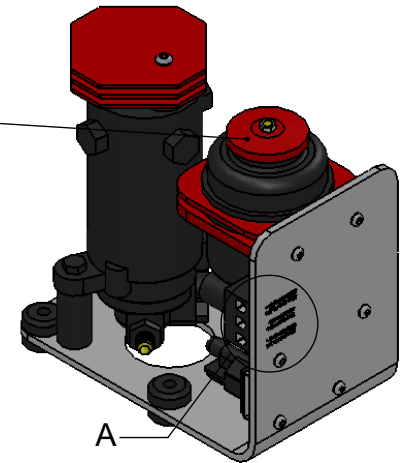


-6 JIC HI-PRESSURE OUTLET

1/2 BARB LOW PRESSURE RETURN



USE GM POWER STEERING FLUID 10-5074

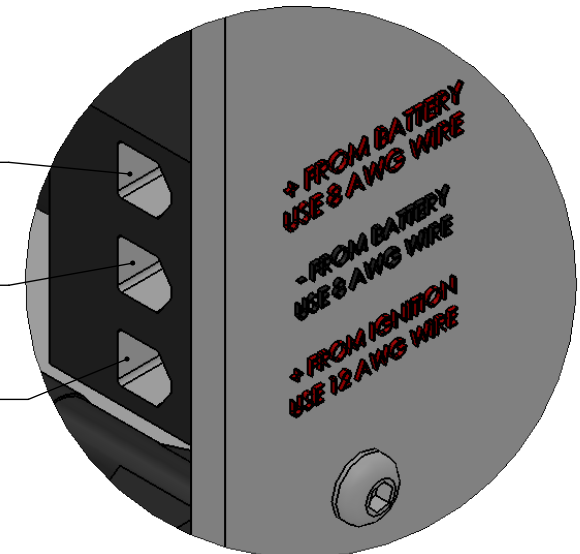


+ FROM BATTERY  
USE -8 AWG WIRE

- FROM BATTERY  
USE -8 AWG WIRE

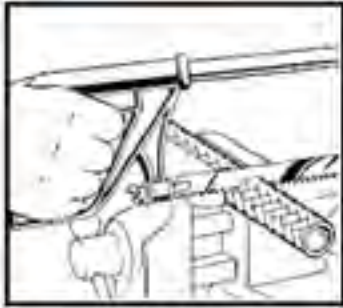
+ FROM IGNITION  
USE -12 AWG WIRE

DETAIL A  
SCALE 1 : 1





# HOSE & FITTING ASSEMBLY INSTRUCTIONS



## Step 1

Cut hose square with fine-tooth hacksaw or cut-off wheel. Clean hose bore.



## Step 2

Put socket in vise.

Screw hose counterclockwise into socket until it bottoms.

When assembling long lengths of hose, it may be preferred to put hose in vise just tight enough to prevent from turning, and screw socket onto the hose counterclockwise until it bottoms.

Back off 1/4 turn.



## Step 3

SWIVEL ENDS: Tighten nipple and nut on assembly tool.

Lubricate nipple and inside of hose liberally. Use heavy oil or Aeroquip 222070 hose assembly lube.



## Step 4

MALE ENDS: Screw nipple clockwise into socket and hose. Leave a 1/32" to 1/16" clearance between nipple hex and socket.

SWIVEL ENDS: Screw nipple clockwise into socket and hose. Leave 1/32" to 1/16" clearance between nut and socket.

**Note: It is the installers responsibility to have all hose assemblies pressure tested to 2000 psi prior to installation.**