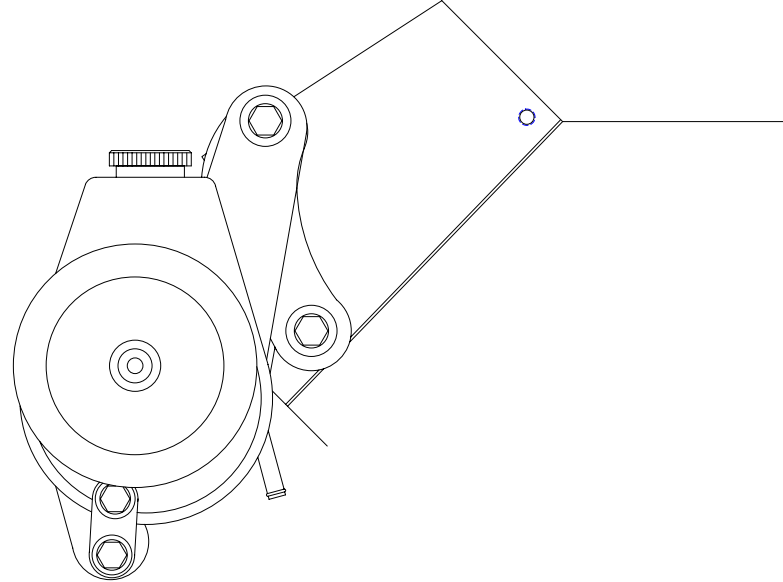


HARDIN MARINE

PART NUMBER: 620-910080

DESCRIPTION:
BB CHEVY UPPER STARBOARD MOUNT POWER STEERING BRACKET

HARDIN MARINE TECH LINE:
EAST COAST 386-226-4346
WEST COAST 707-585-9006
WWW.HARDIN-MARINE.COM



7/16-14x1 HEX HEAD
7/16 FLAT WASHER
7/16 LOCK WASHER

THESE 2 BOLTS ATTACH OUTER PLATE TO BASE PLATE. APPLY RED LOCTITE & TORQUE 40-45 FT. LBS..

7/16-14x1 FLAT HEAD

3/8-16x1 HEX HEAD
3/8 FLAT WASHER
3/8 LOCK WASHER

3/8-16x1-1/4 HEX HEAD
3/8 FLAT WASHER
3/8 LOCK WASHER

3/8-16 LOCK NUT
3/8 FLAT WASHER
3/8 LOCK WASHER

SOME PUMPS REQUIRE THIS BRACKET BETWEEN OUTER PLATE & POWER STEERING PUMP. CHECK TO MAKE SURE PUMP SITS FLAT.

GOES ON THE FRONT OF PUMP AS SHOWN ABOVE.

3/8-16x7/8 HEX HEAD
3/8 FLAT WASHER
3/8 LOCK WASHER

3/8-16x4 HEX HEAD
3/8 FLAT WASHER
3/8 LOCK WASHER

ALL 3/8-16 BOLTS REQUIRE LOCTITE & TORQUE TO 30-35 FT. LBS..

7/16-14x1 FLAT HEAD

THESE 2 BOLTS ATTACH BASE PLATE TO CYLINDER HEAD. APPLY RED LOCTITE & TORQUE 40-45 FT. LBS..

7/16-14x1-1/4 HEX HEAD
7/16 FLAT WASHER
7/16 LOCK WASHER